

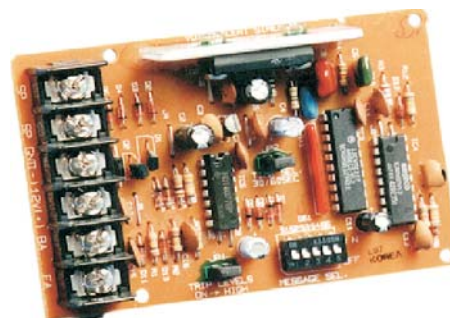
VSD-208

Multi-tone High Power Siren Driver Burglar and Fire Applications

Description:

AMSECO's Barking Dog/Voice Alert Siren Driver, VSD-208, is designed to be used for Fire and Burglar applications. The VSD-208 is versatile and easy to install, compatible with most control panels, and can be mounted with double sided tape provided.

The VSD -208 can instantly produce verbal fire and burglary announcements. A 5 dip-switch combination will enable you to choose from 32 different mode selections. Deter intruders with the sounds of furious barking dogs. One of eight distinctive siren/sounds operate independently or in conjunction with the voice warning.



Fire & Burglar Voice Siren Driver

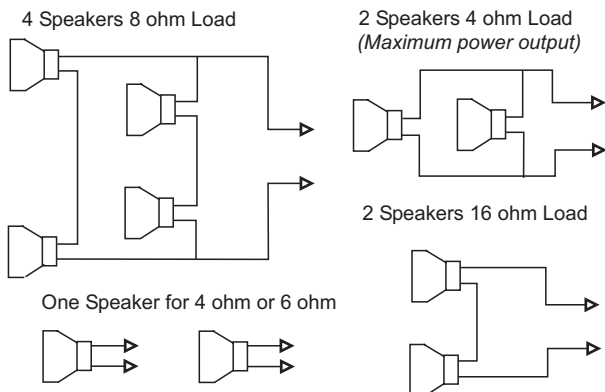
Features:

- Fire and Burglar 2-Channel
- Two voice message options
- 8 Distinctive siren/bell sounds
- 32 mode selection
- Field Selectable input level (High/Low)
- Terminal strip for secure wire connections
- Comparable with most control panels
- Operating voltage range 9~18VDC
- Furious barking dogs sound
- Compact size 2.63"(W)x4.21"(L)x1.26"(H)
- Current draw

Idle	1.2mA
8ohm load	1.1A
16 ohm load	0.8A



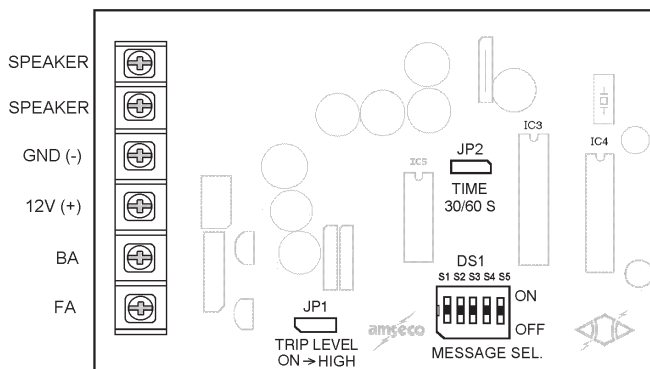
Multiple Speaker Wiring Configuration:



* 8 ohm 15 watt speakers are recommended.
4 ohm or 6 ohm Speakers, use one speaker only.

Wiring:

VOICE ALERT SIREN DRIVER PCB

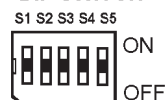


Trigger Inputs: BA Terminal : Steady Voltage -> Burglar Message, Pulsating Voltage -> Fire Message
FA Terminal : Steady Voltage -> Fire Message

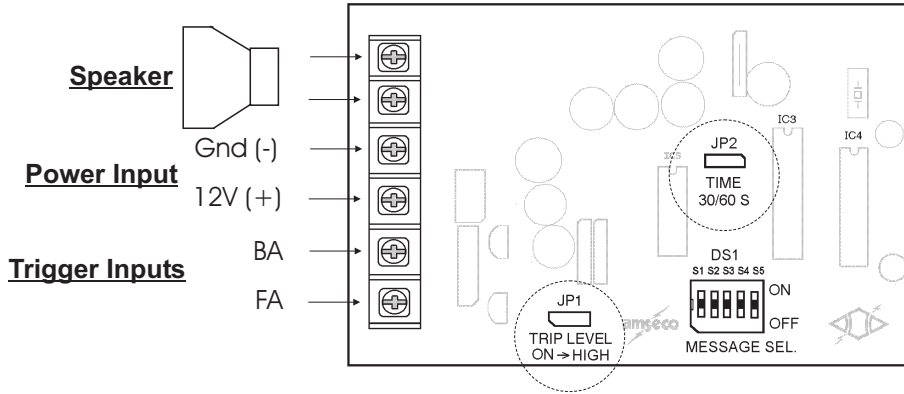
Jumper Settings:

JP1: BA/FA	JP1 - ON requires a high signal to trigger (+12V DC)
Input trigger signal level	JP1 - OFF requires a low signal to trigger (ground)
JP2: Voice message	JP2 - ON 30 SEC
repeating interval time	JP2 - OFF 60 SEC

DIP SWITCH



VOICE ALERT SIREN DRIVER PCB



Trigger Inputs: BA Terminal : Steady Voltage -> Burglar Message, Pulsating Voltage -> Fire Message
 FA Terminal : Steady Voltage -> Fire Message

Jumper Settings:
 JP1: BA/ FA Input trigger signal level
 JP2: Voice message repeating interval time
 JP1 - ON requires a high signal to trigger (+12V DC)
 JP1 - OFF requires a low signal to trigger (ground)
 JP2 - ON 30 SEC
 JP2 - OFF 60 SEC

VOICE SIREN MODE SELECTION TABLE:

DIP SWITCH SELECTION						MESSAGE AND SOUND OUTPUT		
NO	S1	S2	S3	S4	S5	DATA	BURGLAR ALERT	FIRE ALERT
1	ON	ON	ON	ON	ON	0 0	TEST MODE 1	TEST MODE 1
2	ON	ON	ON	ON	OFF	0 1	(BG) + (A)	(FI) + (H)
3	ON	ON	ON	OFF	ON	0 2	(BG) + (A)	(FI) + (G)
4	ON	ON	ON	OFF	OFF	0 3	(BG) + (A)	(FI) + (F)
5	ON	ON	OFF	ON	ON	0 4	(BG) + (C)	(FI) + (D)
6	ON	ON	OFF	ON	OFF	0 5	(BG) + (C)	(FI) + (C)
7	ON	ON	OFF	OFF	ON	0 6	(BG) + (C)	(FI) + (A)
8	ON	ON	OFF	OFF	OFF	0 7	(BG) + (D)	(FI) + (H)
9	ON	OFF	ON	ON	ON	0 8	(BG) + (D)	(FI) + (G)
10	ON	OFF	ON	ON	OFF	0 9	(BG) + (D)	(FI) + (F)
11	ON	OFF	ON	OFF	ON	0 A	(BG) + (E)	(FI) + (D)
12	ON	OFF	ON	OFF	OFF	0 B	(BG) + (E)	(FI) + (B)
13	ON	OFF	OFF	ON	ON	0 C	(BG) + (E)	(FI) + (A)
14	ON	OFF	OFF	ON	OFF	0 D	(BG) + (F)	(FI) + (H)
15	ON	OFF	OFF	OFF	ON	0 E	(BG) + (F)	(FI) + (G)
16	ON	OFF	OFF	OFF	OFF	0 F	(BG) + (F)	(FI) + (F)

DIP SWITCH SELECTION						MESSAGE AND SOUND OUTPUT		
NO	S1	S2	S3	S4	S5	DATA	BURGLAR ALERT	FIRE ALERT
17	OFF	ON	ON	ON	ON	1 0	(BG) + (G)	(FI) + (C)
18	OFF	ON	ON	ON	OFF	1 1	(BG) + (G)	(FI) + (B)
19	OFF	ON	ON	OFF	ON	1 2	(BG) + (G)	(FI) + (A)
20	OFF	ON	ON	OFF	OFF	1 3	(BG) + (H)	(FI) + (H)
21	OFF	ON	OFF	ON	ON	1 4	(BG) + (H)	(FI) + (G)
22	OFF	ON	OFF	ON	OFF	1 5	(BG) + (H)	(FI) + (F)
23	OFF	ON	OFF	OFF	ON	1 6	(BG)+(E)+(A)	(FI)+(D)+(C)
24	OFF	ON	OFF	OFF	OFF	1 7	(BG)+(E)+(F)	(FI)+(D)+(G)
25	OFF	OFF	ON	ON	ON	1 8	TEST MODE 2	TEST MODE 2
26	OFF	OFF	ON	ON	OFF	1 9	(A)	(B)
27	OFF	OFF	ON	OFF	ON	1 A	(C)	(A)
28	OFF	OFF	ON	OFF	OFF	1 B	(D)	(C)
29	OFF	OFF	OFF	ON	ON	1 C	(E)	(G)
30	OFF	OFF	OFF	ON	OFF	1 D	(F)	(D)
31	OFF	OFF	OFF	OFF	ON	1 E	(G)	(H)
32	OFF	OFF	OFF	OFF	OFF	1 F	MESSAGE ONLY	MESSAGE ONLY

(BG) = Burglar Message

Leave immediately,
 You have entered a restricted area,
 Authorities are responding. Burglary - Burglary.

(FI) = Fire Message

Fire - Fire
 Leave immediately

Sound Choices

- (A) Police Siren
- (B) Fire Bell
- (C) Fast Warble
- (D) Buzzer
- (E) Barking Dogs
- (F) Siren
- (G) Slow Whoop
- (H) Pulsing Bell

Test Mode 1

Burglar Alert
 Msg+(A)+(C)+(D)+ (E)+(F)+(G)+(H)
 Fire Alert
 Msg+(A)+(C)+(D)+ (F)+(G)+(H)

Test Mode 2

Burglar Alert
 (A)+(C)+(D)+ (E)+(F)+(G)+(H)
 Fire Alert
 (A)+(B)+(C)+(D)+ (F)+(G)+(H)

Specifications:

Input Voltage	12VDC
Current Draw	Idle 1.2mA
	4 ohm load 1.3 A min - 1.9 A max.
	8 ohm load 0.8 A min - 1.1 A max
	16 ohm load 0.5 A min - 0.8 A max
Dimensions	2-5/16" (67mm)W x 4-5/16" (107mm)L x 1-5/16" (32mm)