

This document outlines how to connect your **Envisalink4** to a Honeywell Vista Panel (10P/15P/20P/21iP/128/150) and to initially program your Honeywell Vista system.

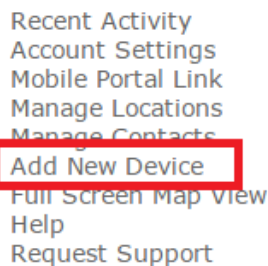
Table of Contents

Activating your Envisalink4	2
Connecting your Envisalink4 to your Honeywell Panel	3
Accessing Envisalink4 Locally	5
Envisalink4 Programming Options: Assign/Modify Keypad Addresses & Enable Shadowing	7
Honeywell Vista Panel Programming Options	9
Honeywell Vista 10P, 15P, 20P & 21IP	9
Honeywell Vista 128/250	10
Programming Troubleshooting Tips	11
Do Not Know Installer Code	11
Error Messages	11
Error: Possible Keypad Conflict or Keypad Programming Not Complete	12
Error:*29 Programming on panel not completed properly	13

Activating your Envisalink4

Before connecting your **Envisalink4** to the Panel, you must activate your Envisalink on your **EyezOn** Account through the portal. If you do not have an **EyezOn** Account, go to www.eyezon.com and click **Create Account**. Once created you will need to activate your **Envisalink4** as outlined in the steps below.

1. **Login** in to your **EyezOn** Account.
2. Once logged in, you will see a number of links in the left hand column. Click **Add New Device**.



Recent Activity
Account Settings
Mobile Portal Link
Manage Locations
Manage Contacts
Add New Device
Full Screen Map view
Help
Request Support

3. Click on Begin Activation.
4. Select the **Envisalink4** Honeywell product from the drop down list. Be sure to select the option that matches your version of the **Envisalink4** (e.g. If you have purchased an **Envisalink4**, select **Envisalink4 Honeywell**).
5. Click Next.
6. Enter the MAC address for your **Envisalink4**. The MAC is a 12 Digit ID number starting with 001C. It consists of HEX digits so only the numbers 0-9 and the letters A-F are valid. The MAC is found on the **Envisalink4** and also appears on the box your **Envisalink4** came in.
7. Give your **Envisalink4** a name (e.g. House, Cottage).
8. Review the **Terms and Conditions** and check the box indicating you have read and agree to the **Terms and Conditions**.
9. Click **Next** and the following message will appear.

*Thank you. The new device has been added.
Please allow up to 10 minutes for activation to complete.*

You must activate your **Envisalink4** module before you install it as the **Envisalink4** is shipped with DSC firmware and will not initially detect your Honeywell Vista Panel. Once activated as a Honeywell device on the **EyezOn** portal, the **Envisalink4** will download the proper firmware for your Panel. This may take up to 10 minutes.

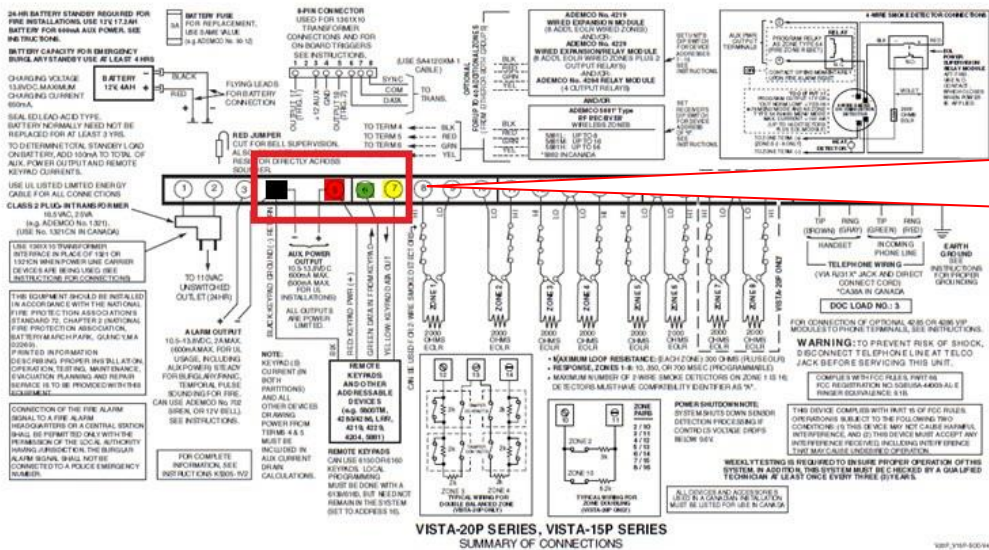
Connecting your Envisalink4 to your Honeywell Panel

Before connecting your **Envisalink4** to the Panel, go to your **EyezOn** account and verify that you have activated **“Envisalink 4 Honeywell”** as to ensure that the module downloads the correct firmware.

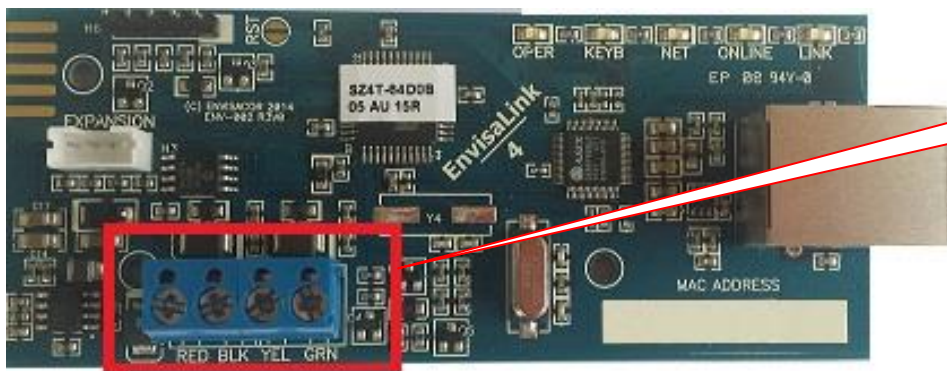
If they system is installed at a commercial site, ensure that outbound UDP port 4021 and outbound TCP port 4022 is not blocked on the network.

1. Disconnect power to the Panel.
2. Connect your **Envisalink4** to the Keypad bus terminals of the Panel with a 4-conductor 22 gauge phone wire (not supplied) in the following order: Red, Black, Yellow, Green.

CAUTION: Do not connect the **Envisalink4** to the Tip and Ring Terminals as it will damage the module.



Using the 4-conductor 22 gauge phone wire, connect the keypad bus terminals to your **Envisalink4**: Red, Black, Yellow, Green.



Connection points on your **Envisalink4**

- Using an 8-Conductor Ethernet Cable (not supplied) with an RJ-45 connector, connect your **Envisalink4** to an available router, hub or switch port on a network with a DHCP Server (usually within a router). Restore power to your Honeywell Vista Panel.
- There are a number of LED lights located on your **Envisalink4**. On the **Envisalink4**, if installation and activation of the module was done correctly, you will see five solid green LEDs with the LINK LED being flashing occasionally to indicate network traffic. The KEYB LED may be off during the first 10 minutes after installation while the module downloads Honeywell firmware. Wait 10 minutes before troubleshooting.



The **Envisalink4** has 5 LEDs. See table below for LED Descriptions.

LED Name	Description
OPER	SOLID GREEN - Power and functioning. OFF – Not functioning and not powered properly.
KEYB	SOLID GREEN – Panel connected correctly. FLASHING - Panel not connected (DSC firmware installed). OFF – Panel not connected (Honeywell firmware installed).
NET	SOLID GREEN – IP obtained through DHCP server (router). FLASHING – Module programmed to static IP. OFF – Module cannot obtain IP form DHCP server (router).
ONLINE	SOLID GREEN –Module is communicating with servers and account is properly set up. FLASHING – Module is communicating with servers but no account exists. OFF – Module is not communicating with servers.
LINK	SOLID GREEN – Ethernet link established. Will flick with RX/TX. OFF - No Ethernet link.

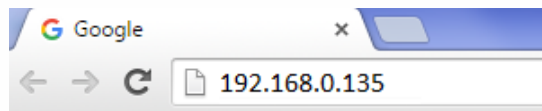
- After ten minutes the “KEYB” LED should also be solid. If the LED is flashing, you still have the default DSC firmware installed which indicates there is a network problem. If the LED is off, the Honeywell firmware has been installed but there is an issue with the panel wiring.

DO NOT LEAVE the installation until you have five green LEDs lit.

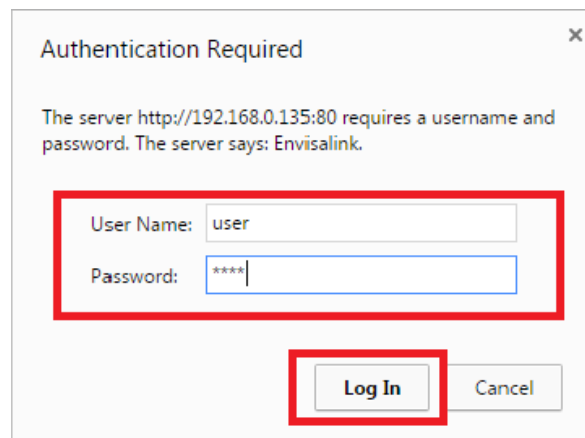
Accessing Envisalink4 Locally

Now that your **Envisalink4** is connected to your Honeywell Panel and functioning, you may have to access the **Envisalink4** locally in order to program your **Envisalink4**. The **Envisalink4**'s local web interface also allows you to view status and perform troubleshooting. For more information on accessing your **Envisalink4** locally please refer to the Accessing Envisalink4 for Status, Programming and *Troubleshooting Application Note*.

1. To access the **Envisalink4** web interface, type the **Envisalink4** IP address into any browser on the same internal network as your **Envisalink4**. For help on obtaining your **Envisalink4**'s IP address please refer to the *Accessing Envisalink4 for Status, Programming and Troubleshooting Application Note*.



2. Once entered, the following login pop-up should appear. Enter user in both the User Name and Password fields and click **Log In**.

A screenshot of an 'Authentication Required' dialog box. The title bar says 'Authentication Required' with a close button (X). The main text reads: 'The server http://192.168.0.135:80 requires a username and password. The server says: Envisalink.' Below this text are two input fields: 'User Name:' containing the text 'user' and 'Password:' containing five asterisks '*****'. A red rectangular box highlights both input fields. At the bottom of the dialog, there are two buttons: 'Log In' and 'Cancel'. The 'Log In' button is also highlighted with a red rectangular box.

Once you have logged into the web interface, the local **Envisalink4** homepage will appear as seen below. This page allows you to assign and/or modify keypad addresses for each partition used on the system; as well as enable IP shadowing if the system has a Honeywell ECP IP/GSM or LRR already installed.

Security Subsystem - Honeywell

Zone Status

1	2	3	4	5	6	7	8
9	10	11	12	13	14	15	16

System Status

System	Ready	Trouble	ARM	USER CODE <input type="text"/>
--------	-------	---------	-----	--------------------------------

Security Settings

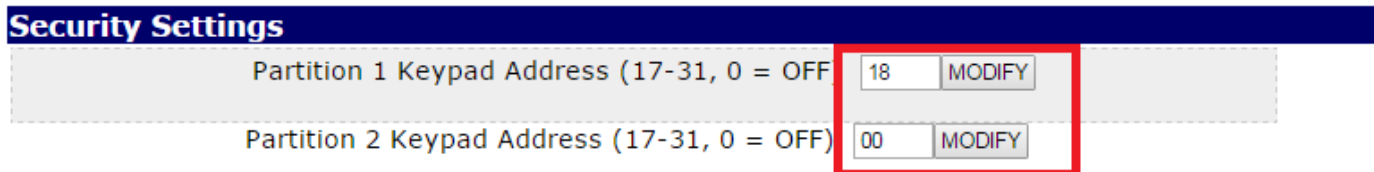
Partition 1 Keypad Address (17-31, 0 = OFF)	<input type="text" value="18"/>	MODIFY
Partition 2 Keypad Address (17-31, 0 = OFF)	<input type="text" value="00"/>	MODIFY
Partition 3 Keypad Address (17-31, 0 = OFF)	<input type="text" value="00"/>	MODIFY
Partition 4 Keypad Address (17-31, 0 = OFF)	<input type="text" value="00"/>	MODIFY
Partition 5 Keypad Address (17-31, 0 = OFF)	<input type="text" value="00"/>	MODIFY
Partition 6 Keypad Address (17-31, 0 = OFF)	<input type="text" value="00"/>	MODIFY
Partition 7 Keypad Address (17-31, 0 = OFF)	<input type="text" value="00"/>	MODIFY
Partition 8 Keypad Address (17-31, 0 = OFF)	<input type="text" value="00"/>	MODIFY
Enable IP/GSM/LRR Shadowing?	<input type="checkbox"/>	MODIFY

Expansion Modules

None Installed

Envisalink4 Programming Options: Assign/Modify Keypad Addresses & Enable Shadowing

Honeywell Vista Panels require that each connected keypad has a unique address between 16 and 23. On all Honeywell systems, the first keypad uses the address “16” and is therefore reserved. The **Envisalink4** emulates a keypad on the system and by default uses the address “18”. By default all other partitions are disabled with address “00”.



The screenshot shows a 'Security Settings' window with a dark blue header. Below the header, there are two rows of configuration options. The first row is 'Partition 1 Keypad Address (17-31, 0 = OFF)' with a text input field containing '18' and a 'MODIFY' button. The second row is 'Partition 2 Keypad Address (17-31, 0 = OFF)' with a text input field containing '00' and a 'MODIFY' button. A red rectangular box highlights the '18' and 'MODIFY' button of the first row and the '00' and 'MODIFY' button of the second row.

The degree to which you need to assign and/or modify addresses depends on the number of partitions, communicators (e.g. a GSM backup), and keypads on your system.

Generally, if you only have one partition, no additional communicators, and less than three keypads, no modification to the default **Envisalink4** address settings is required. In this scenario keypad 1 and 2 would typically have the addresses 16 and 17, and the **Envisalink4** would be addressed as “18”. However, you should verify that the keypads indeed are using addresses 16 and 17 by following the instructions in Step 1 and Step 2 below. If you have an additional communicator IP, GSM, or Long Range Radio (LRR) communicator already installed, you need to enable IP/GSM/LRR shadowing as outlined in Step 3 below.

For systems, with more than one partition and more than two keypads, additional address assignment is required. In order to assign keypad addresses correctly via the local web interface, you need to know how many existing keypads are on your system and what addresses they are using. Any duplication will cause issues when arming and disarming via the portal. To do this, follow the steps below:

Step 1: Identify which keypad addresses are already in use.

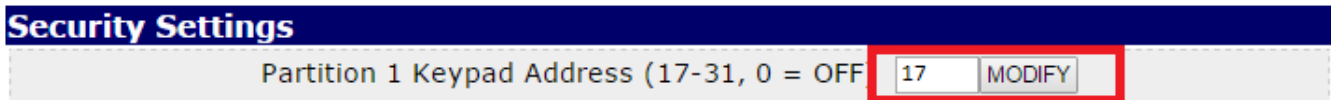
1. Go to the keypad and simultaneously press 1 and 3.
2. Hold for two seconds. The keypad address should appear on the keypad display (i.e., a number between 16 and 23).
3. Record the address.
4. Repeat for each keypad in your system.

Step 2: Modify address 18 (as required)

If any existing keypads are using address 18, you need to re-address your **Envisalink4** to the next available address. In addition, if you have a system with more than one partition you must add an additional virtual **Envisalink4** address for **each additional partition**. If you do not do this, you will be unable to control the system across all partitions.

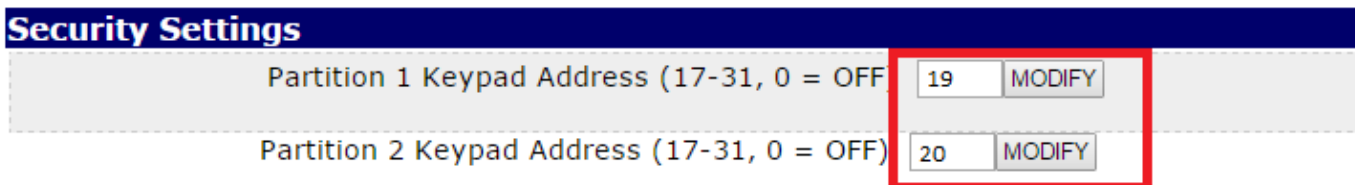
Example: Single Partition System, Two Keypads with Address 16 and 18 respectively

1. On the local web interface, re-address your **Envisalink4** to address 17.
2. Click **Modify**.



Example: Two Partition System, Three Keypads with Address 16,17, and 18 respectively

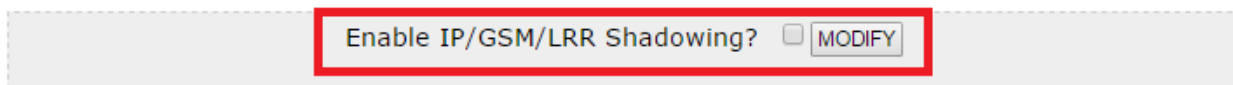
1. On the web interface, re-address your **Envisalink4** for Partition 1 to address 19.
2. Click **Modify**.
3. Add an **Envisalink4** virtual address for keypad 2. Use address 20.
4. Click **Modify**.



Step 3: Enable IP/GSM/IR Shadowing (as required)

If your Honeywell Panel connects to a Central Station Monitoring via an ECP Connected Honeywell GSM/IP Communicator, the Shadowing Option must also be enabled.

1. Check the box beside Enable IP/GSM/LRR Shadowing.
2. Click **Modify**.



NOTE: To disable IP/GSM/LRR Shadowing, uncheck the box and click **Modify**.

Honeywell Vista Panel Programming Options

Programming required may vary depending on the model type of your Honeywell Vista Panel. When programming it is recommended that you have the **Honeywell Vista Programming Manual** accessible for reference purposes.

For single communicator setup (i.e. no dial up and your **Envisalink4** is the only communicator), we recommend the programming outlined below. If you are using multiple communication methods, other options may be required and you will need to refer to your **Honeywell Vista Programming Manual**.

IMPORTANT: If you have a Vista21iP panel you MUST disable the on-board Ethernet controller by moving the on-board jumper beside the RJ-45 jack to the lower position. The lower position is the OFF position.

Honeywell Vista 10P, 15P, 20P & 21iP

1. Enter 800 (Installer Code) to access installer programming mode. "20" should appear on the display. If you do not know the Installer Code, see Troubleshooting Tips on page 13.
2. Keypad programming: *190 to *196 (addresses 17-23) are the keypad programming sections. Enable the assigned **Envisalink4** addresses as needed. If it is a single partition system using the default **Envisalink4** address of 18, the programming section is *191. In section *191 enter 10. If the keypad was on Partition 2, you would enter 20.
3. *29 Enable IP/GSM (IP/GSM/LRR support required for your **Envisalink4** to transmit alerts): The codes to enter in the section depend on the age of the panel. Start by entering 1, If you hear 3 beeps proceed to #4; if not continue with *0**.
4. *48 Report Format: Enter 77 (this is pre-set and cannot be changed on ADT Panels).
5. *49 Split/Dual Reporting: Enter 5 and you will hear 3 beeps.
6. *50 Burglary Dialer Delay: Enter 0 and you will hear 3 beeps.
7. *54 Dynamic Signalling Delay: Set to 0 and you will hear 3 beeps.
8. *55 Dynamic Signalling Priority: Set to 1 and you will hear 3 beeps.
9. *59 Exit Error Alarm Report Code: Set to 0 and you will hear 3 beeps.
10. *60 Trouble Report Code: Enter 10 and you will hear 3 beeps.
11. *62 AC Loss Report Code: Enter 10 and you will hear 3 beeps.
12. *63 Low Battery Report Code: Enter 10 and you will hear 3 beeps.
13. *64 Test Report Code: Enter 10 and you will hear 3 beeps.
14. *65 Open Report Code: Enter 110 and you will hear 3 beeps.
15. *66 Arm Away/Stay Report Code: Enter 111100 and you will hear 3 beeps.
16. *67 RF Transmitter Low Battery Report Code: Enter 10 and you will hear 3 beeps.

17. *70 Alarm Restore Report Code: Enter 1 and you will hear 3 beeps.
18. *71 Trouble Resolve Report Code: Enter 10 and you will hear 3 beeps.
19. *73 AC Restore Report Code: Enter 10 and you will hear 3 beeps.
20. *74 Low Battery Restore Report Code: Enter 10 and you will hear 3 beeps.
21. *75 RF Low Battery Restore Report Code: Enter 10 and you will hear 3 beeps.
22. *84 Auto Stay Arm: Enter 0 and you will hear 3 beeps.
23. Enter *99 to exit programming.

NOTE: Reporting functionality can be further controlled on an on-going basis via your **EyezOn** account on the Contacts Screen.

Honeywell Vista 128/250

1. Enter 800 (Installer Code) to access installer programming mode. "20" should appear on the display. If you do not know the Installer Code, see Troubleshooting Tips on page 13.
2. Enter "#93 0 0 0 0 1 03* 06* 0" (Communicator Enabled): Three is the Default Address for the **Envisalink4** as a communicator and cannot be changed.
3. Enter "18* 01* 1* 0* 0* 0*" (Partition 1 for Module Enabled, assuming default address of 18).
4. Enter "19* 01* 2* 0* 0* 0*" (Partition 2 for Module Enabled if necessary).
5. For addition Partitions continue with the same format replacing the third segment with the Partition number.
6. *45 and *47 ContactID Reporting: Enter 1.
7. *56 Dynamic Signalling Delay: Enter 00.
8. *57 Dynamic Signalling Priority: Enter 1.
9. *58 LRR CS 1 Category Enable: Enter 1 1 1 1 1 1.
10. *88 Burglary Dialer Delay: Enter 0.
11. Other reporting codes are found in the **Report Code Section** in the *93 Menu. Any section that does not have a valid code will not transmit alerts. Enable all sections in **System Group One**.
12. To alert on Open/Closes, all user codes must be programmed to report O/C.
13. Enter *99 to exit programming.

Programming Troubleshooting Tips

Do Not Know Installer Code

Step 1: Shut down the system.

1. Shut down transformer.
2. Shut down battery.
3. Leave system off for 60 seconds

Step 2: Bring the system back up.

1. Repower the battery.
2. Repower the transformer.

Step 3: Force system to programming mode and retrieve existing installer code.

1. With 30 seconds, push and hold the * and # keys together on a keypad.
2. Hold for 2 seconds and the 20 should appear on the display which indicated you are in programming mode. If 20 does not appear the panel is locked and you must contact the installer for the code
3. Enter #20 and the display will show the existing installed for digit code, one digit at a time.

Error Messages

If errors were made during programming; error messages will appear under the System Screen in your **EyezOn** account. On Honeywell systems there are two errors that can be encountered once programming is complete:

- (1) Error: Possible Keypad Conflict or Keypad Programming Not Complete
- (2) Error:*29 Programming on panel not completed properly



Error: Possible Keypad Conflict or Keypad Programming Not Complete

If you receive this error, address 18 (or whatever you set the **Envisalink4** address to) has not been enabled properly on your Honeywell Panel during programming.

4. Verify that the **Envisalink4** address has been enabled on the panel by going to its section as outlined above. For example, if you set the **Envisalink4** to address 18, you would go to section *191.
5. Verify that the data in the keypad programming section has been set to 10. If not, set it to 10 (meaning Partition 1 and no audible messages). The error will now be gone and the partition(s) will now show under **Status**.

The screenshot displays the Envisalink4 web interface. At the top, there is a 'System' header and a 'Manage Device' link. The main content area is titled 'Details for Test Unit' and contains an error message: 'Error: *29 Programming on panel not completed properly.' Below the error message, there is a link to the 'Programming Guide' and system information including MAC address (001C2A006595), Version (140), Last Update (February 5, 2015, 11:43 am), and Public IP (184.146.128.24). A 'Command Queue' section shows 'No Commands Queued'. Below this, there is a navigation bar with icons for Status, EnvisAlarm™, EnvisAlerts™ +, Recent Events, Cameras, Thermostats, and Contacts. The 'Status' section is expanded, showing 'Partition 1' with a 'Not Ready - Trouble' status and a 'Commands' button. A keypad grid is visible below the status section, with numbers 01 through 48 arranged in a 5x8 grid.

01	02	03	04	05	06	07	08
09	10	11	12	13	14	15	16
17	18	19	20	21	22	23	24
25	26	27	28	29	30	31	32
33	34	35	36	37	38	39	40
41	42	43	44	45	46	47	48

Error:*29 Programming on panel not completed properly (Honeywell Vista 10P, 15P, 20P & 21IP only)

If you receive this error, the long range radio (LRR) feature has not been programmed properly. The feature is required for your **Envisalink4** to transmit alerts.

To enable this feature, see Step 3 on page 8. Once the LRR feature is enabled, the error message will disappear and Partition Status will show as Ready.

The screenshot displays the 'System' management interface for a 'Test Unit'. The top navigation bar includes 'System' and 'Manage Device'. The main content area is titled 'Details for Test Unit' and lists the following information: MAC: 001C2A006595, Version: 140, Last Update: February 5, 2015, 11:45am, and Public IP: 184.146.128.24. Below this information is a 'Command Queue' section showing 'No Commands Queued'. A row of seven icons provides quick access to: Status, EnvisAlarm™, EnvisAlerts™ +, Recent Events, Cameras, Thermostats, and Contacts. The bottom section, titled 'Status', shows 'Partition 1' with a status of 'Ready'. It includes 'Arm' and 'Commands' buttons and a keypad grid with numbers 01 through 48.

For Network Troubleshooting, refer to the **Accessing Envisalink4 for Status, Programming and Troubleshooting Application Note**.

Dealer Support Contact Information:

If you have any questions or concerns, or have trouble activating your account and setting up customers, please email our Help Desk at support@eyezon.com or call 647-503-3400. Note that phone support is only available, Monday-Friday 9am-4pm EST.