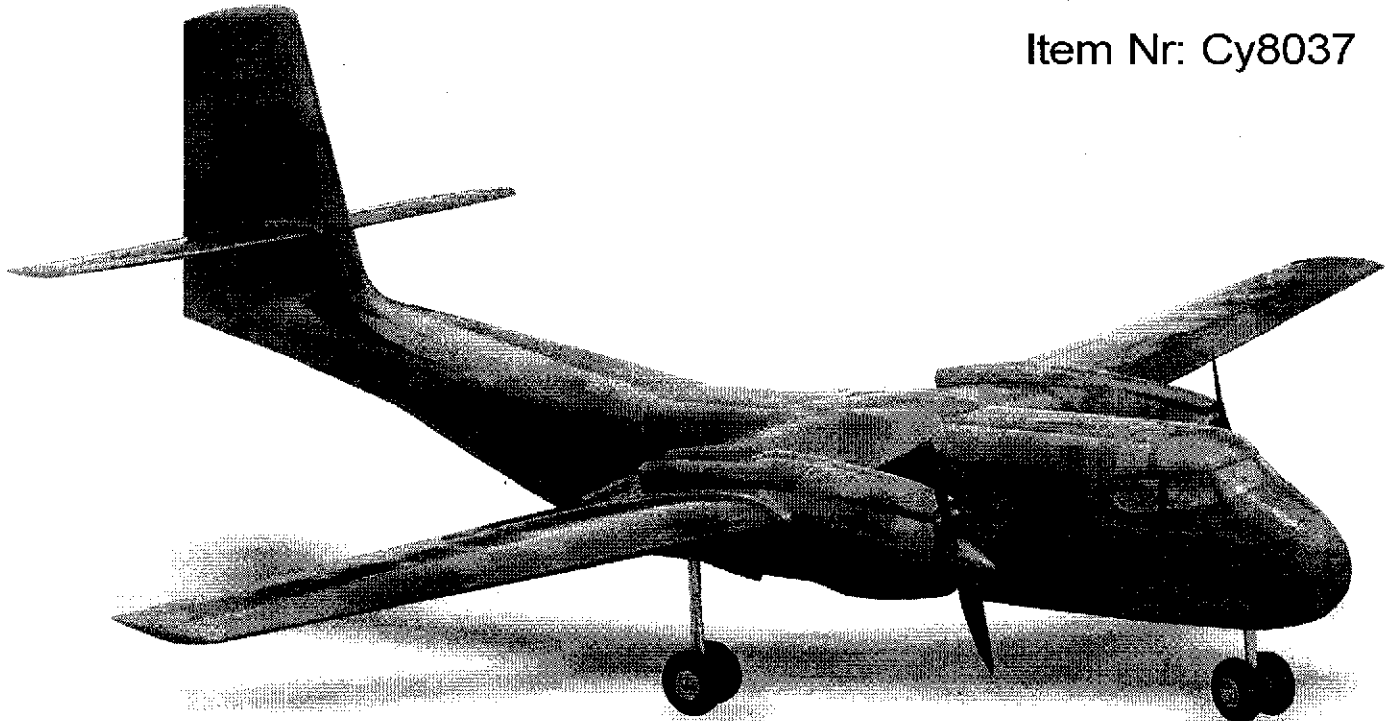


Thank you for choosing CYmodel
Global : www.cymodel.com
Australia : www.austars-model.com
Italia : www.biellaexpress.com

DE Havilland DHC-4 Caribou

Item Nr: Cy8037



Instruction Manual

Before commencing assembly, please read these instructions thoroughly.



Warning!

SAFETY PRECAUTIONS This radio control model is not a toy!

SPECIFICATION

- First-time builders should seek advice from people having building experience in order to assemble the model correctly and to produce its performance to full extent.
- Assemble this kit only in places out of children's reach!
- Take enough safety precautions prior to operating this model.
You are responsible for this model's assembly and safe operation!
- Always keep this instruction manual ready at hand for quick reference, even after completing the assembly.
- Could cause serious injury or even death

Wing span..... 2490 mm (98 in)
Wing area..... 60.4 dm² (1936 sq.in)
Empty weight..... 7 kg
Total length..... 1860 mm (73.2 in)
Engine..... 20 cc gas engine (a pair)
Radio..... 5 channels 10 servos

REQUIRED FOR OPERATION (Purchase separately)

- 1** A minimum 5 channel radio for airplanes (with 10 servos).
And dry batteries.

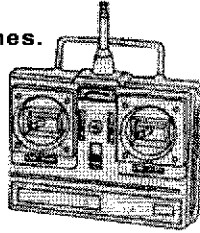


CAUTION: Only use a minimum 5 channel radio for airplanes! (No other radio may be used!)

A minimum 5 channel transmitter for airplanes.



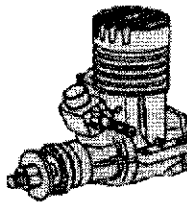
12 AA-size Batteries



For handing the radio properly, refer to its instruction manual.

- 2** Engine and Muffler
Model Airplane engine
20 cc gas engine (a pair)

Muffler



Glow plug

- 3** Propeller spinner

Purchase a propeller that will match your engine



- 4** Silicone Tube  Fuel Filter 

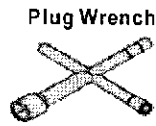
- 5** required for engine starting 



WARNING: Normal gasoline cannot be used with glow engines.



Fuel Pump



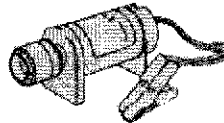
Plug Wrench

- 6** Glue  

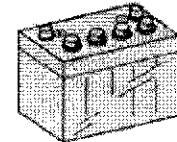
Instant glue

Epoxy Glue

- 7** Other equipment for enhancing airplane operation & performance



Engine Starter



12V Battery (for starter)

TOOLS REQUIRED (Purchase separately)

Sharp Hobby Knife



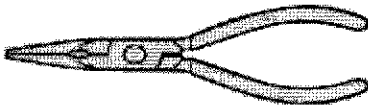
Phillips Screw Driver



Awl



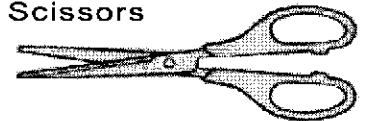
Needle Nose Pliers



Wire Cutters



Scissors



BEFORE YOU BEGIN

1. Read through the manual before you begin, so you will have an overall idea of what to do.
2. Check all parts. If you find any defective or missing parts, contact your local dealer.
3. Symbols used throughout this instruction manual, comprise.



Apply epoxy glue.



Drill holes with the specified Diameter (here: 2mm)



Must be purchased separately!



Warning!



Apply instant glue (CA glue, super glue).



Ensure smooth non-binding movement while assembling.



Pay close attention here!

Do not overlook this symbol.



Assemble left and right Sides the same way.




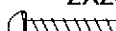



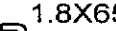

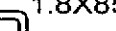

Cut off shaded portion.



Cut off excess.

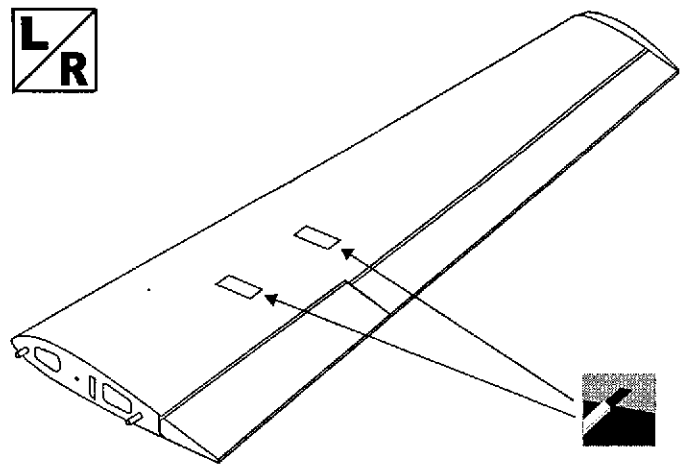


Accessory list for this page.

 Pin hings	14	 2X28mm Screw	12
 Horn	4	 2X10mm Screw	4
 Connecting rod head	4	 1.8X65mm Rod	2
 Rod adjuster	4	 1.8X85mm Rod	2
	4		

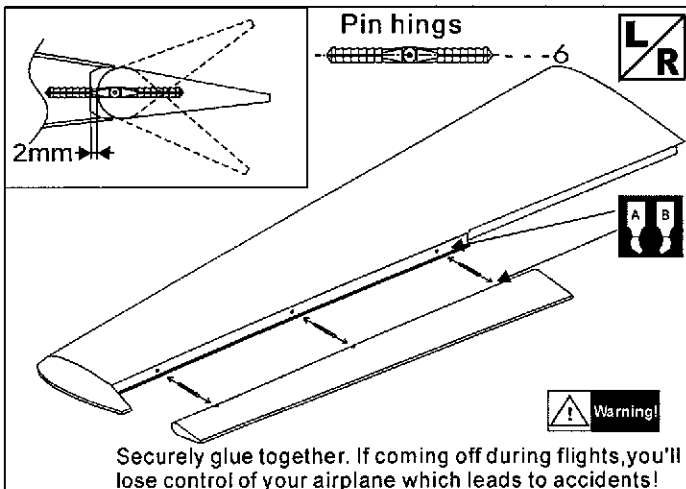
3

Install the aileron servo



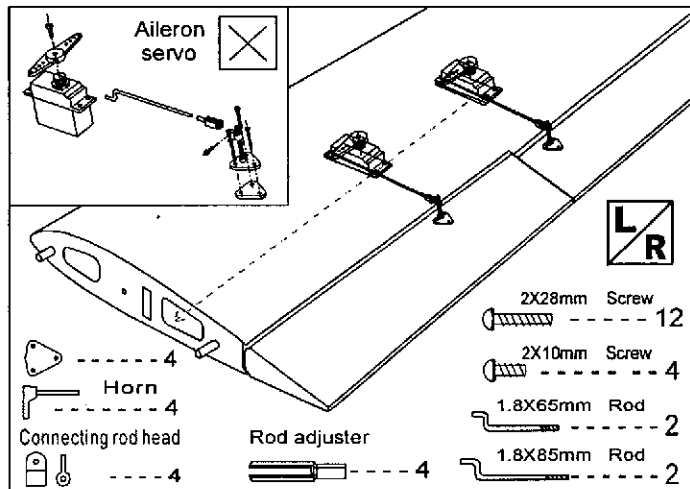
1

Install the aileron



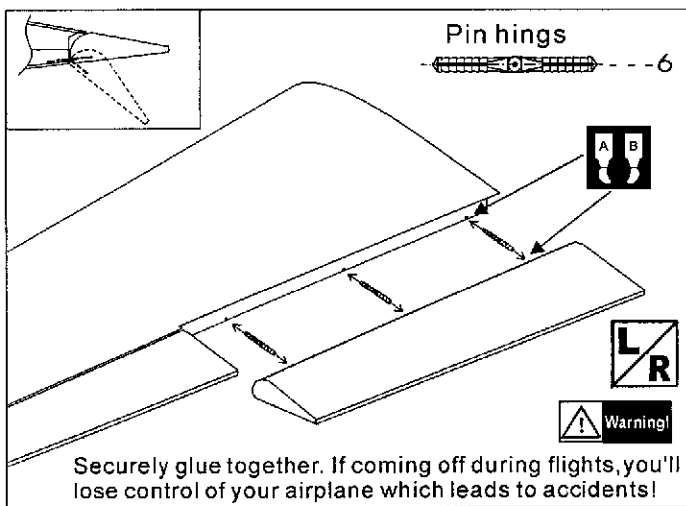
4

Install the aileron servo



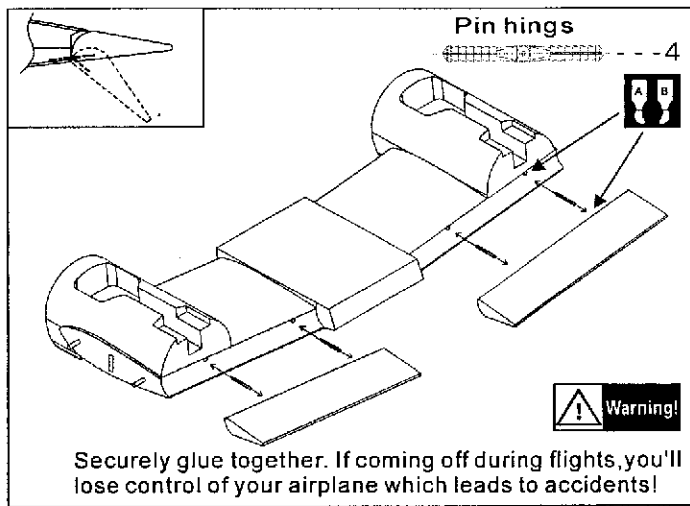
2

Install the flap



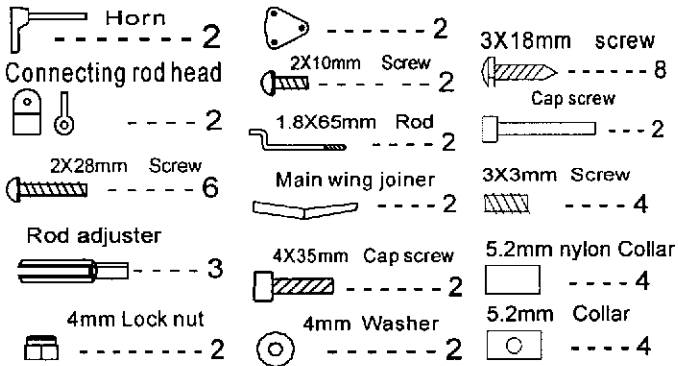
5

Install the flap



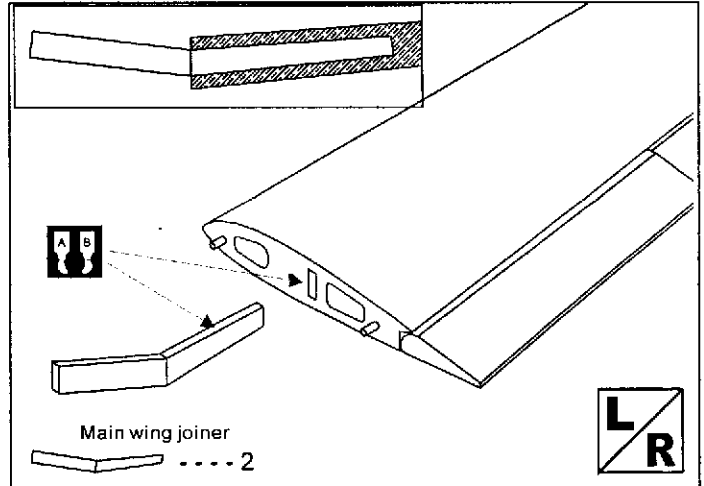


Accessory list for this page.



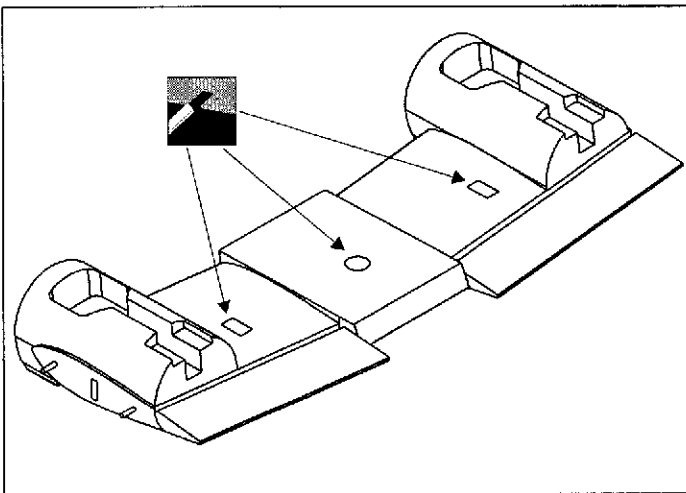
8

Epoxy the main wing to the mid through the main joiner



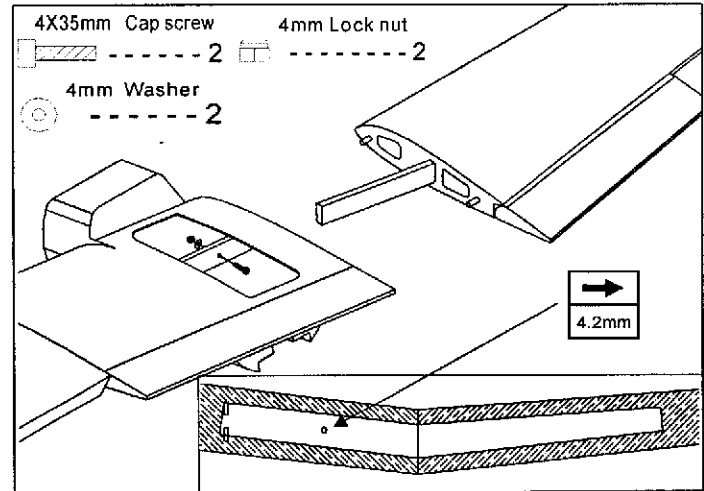
6

Install the flap servo



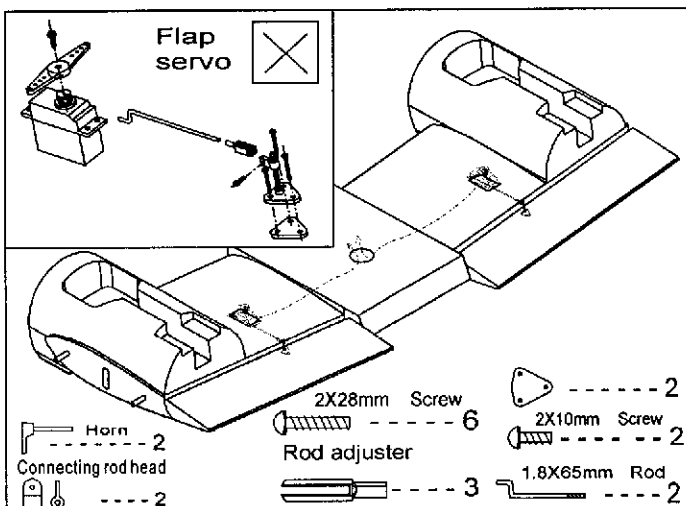
9

Assemble the wing to the fuselage with screw and blind nut



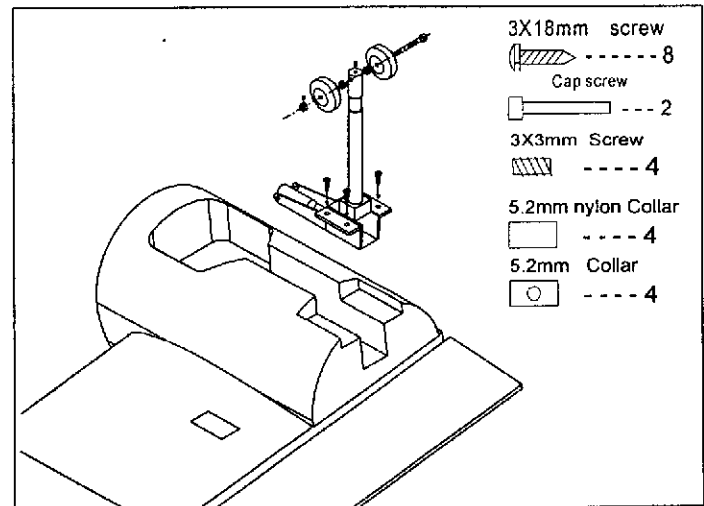
7

Install the flap servo



10

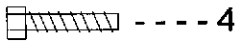
Assemble the wheel to landing gear and epoxy the landing gear to the wing steadily



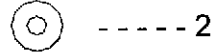


Accessory list for this page.

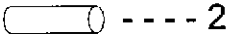
M5X25 mm Screw



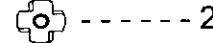
5mm Washer



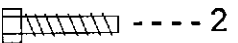
Nylon dowel



5mm Blind Nut



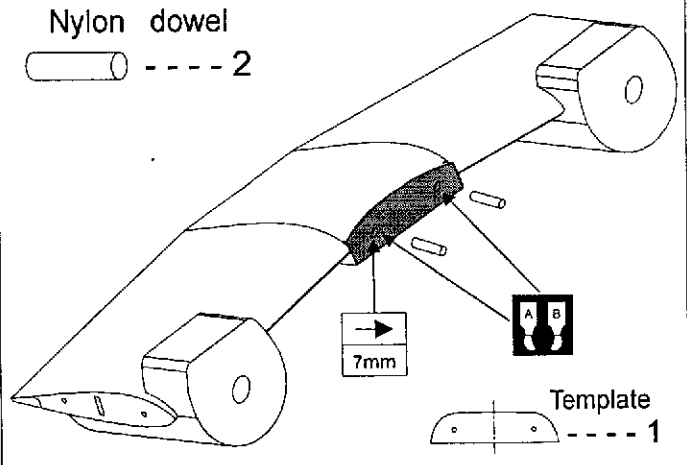
M5X60 mm Screw



13

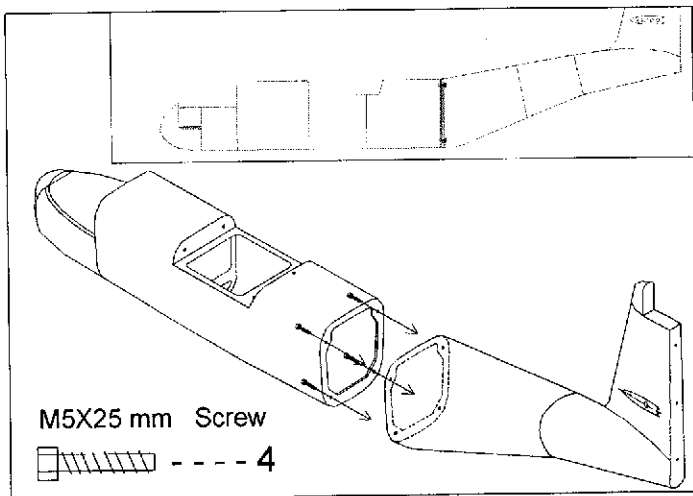
Drill holes in the wings and set the wood dowel in them as below

Nylon dowel
----- 2

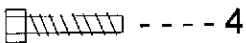


11

In the fuselage of the screw assembly

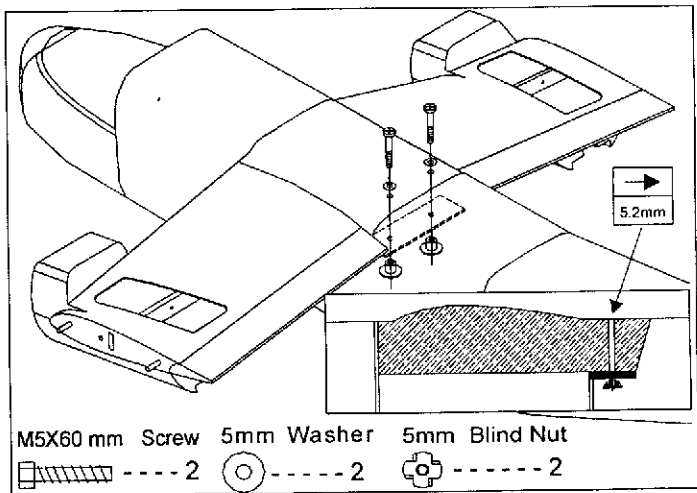


M5X25 mm Screw

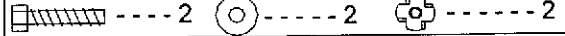


14

Assemble the wings to the fuselage with screw and blind nut as below

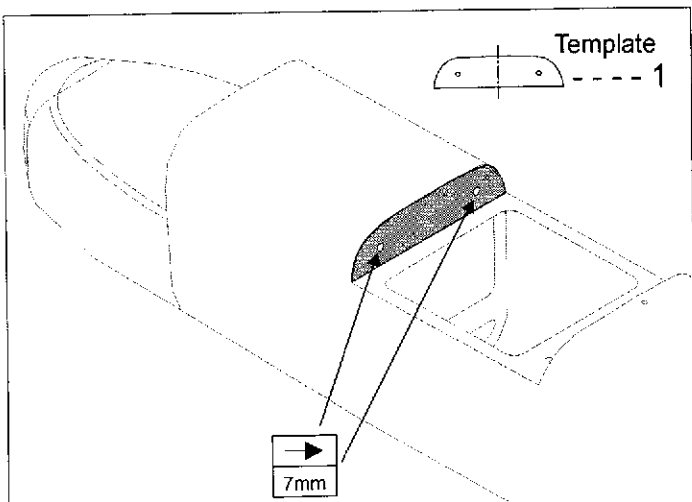


M5X60 mm Screw 5mm Washer 5mm Blind Nut



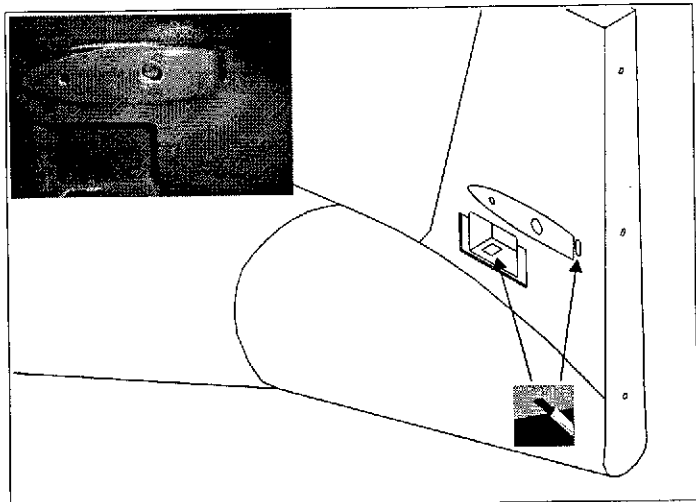
12

Drill holes to relevant position in the fuselage



15

Assemble the stabilizer to the fuselage





Accessory list for this page.

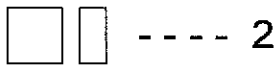
U-style wire



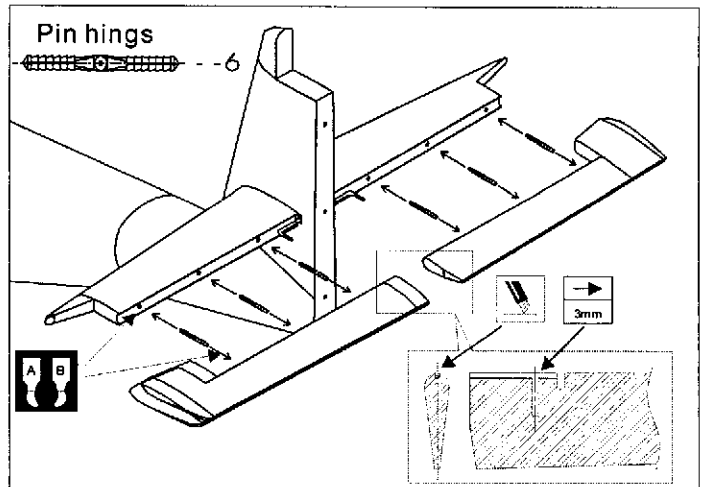
Pin hinges



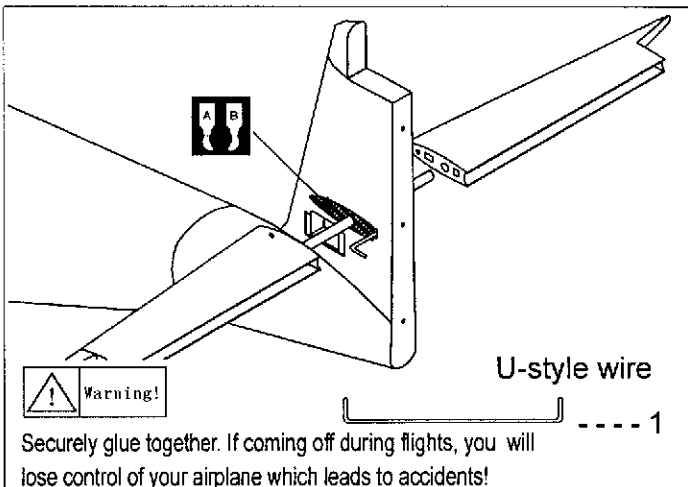
Wooden Block



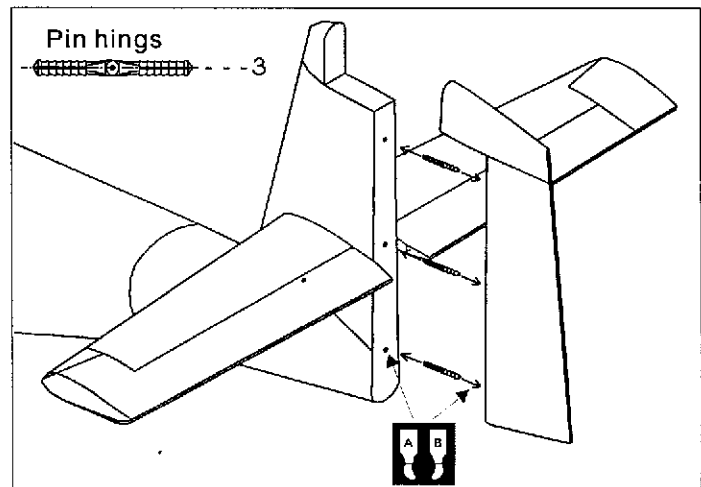
18 Glue the elevator to the stabilizer by A/B and epoxy



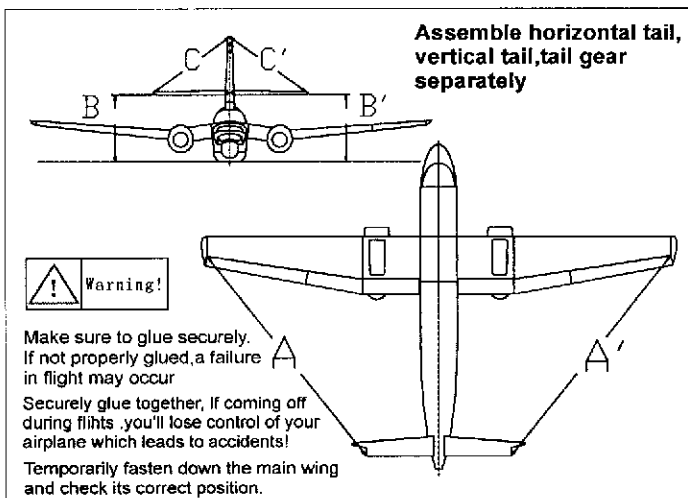
16 Install the U-style wire to appropriate position in the tail of fuselage and assemble the stabilizer to fuselage as illustration



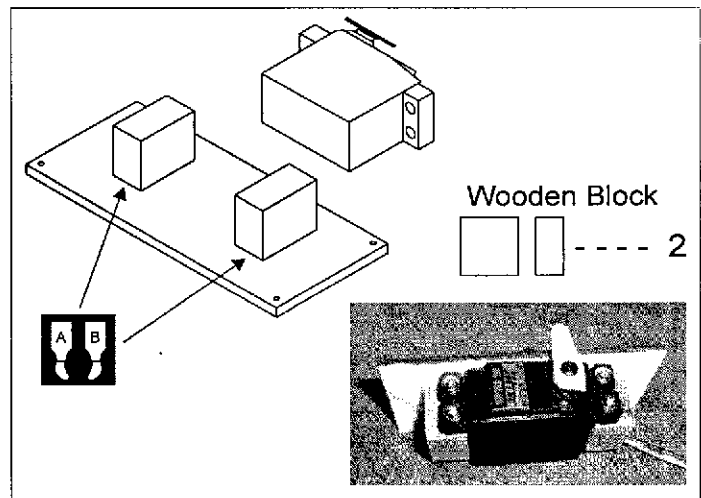
19 Assemble the servos and switch in the fuselage



17 Assembly of the stabilizer

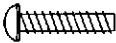

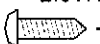


20 Assemble the rudder servo



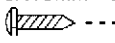
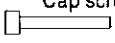


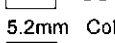


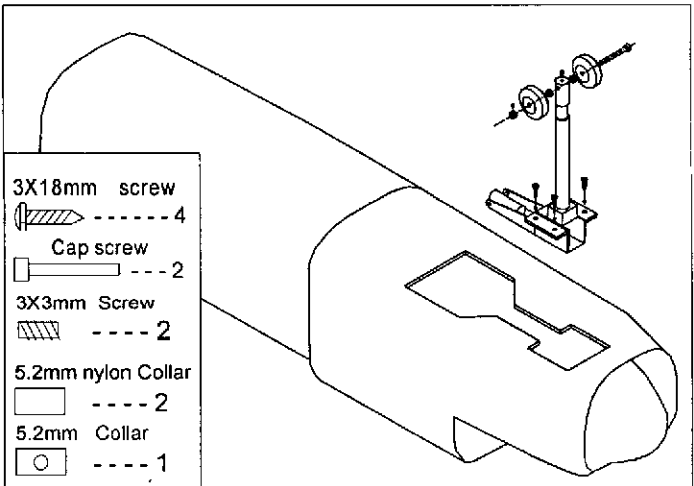
Accessory list for this page.

- M3X20mm Screw  ----- 2
- 3mm Washer  ----- 2
- 2.6 X 8mm Tp screw  ----- 6

23

Assemble the wheel to landing gear and epoxy the landing gear to the wing steadily

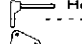
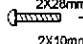
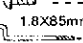
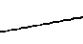
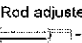
- 3X18mm screw  ----- 4
- Cap screw  ----- 2
- 3X3mm Screw  ----- 2
- 5.2mm nylon Collar  ----- 2
- 5.2mm Collar  ----- 1

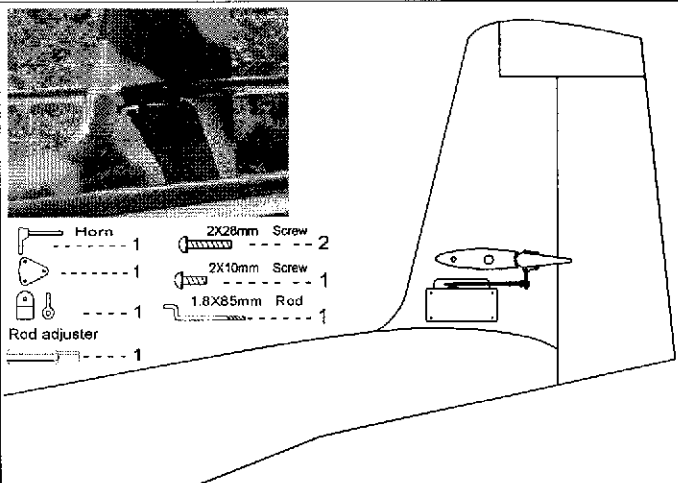


21

Elevator. Connect the linkage rod to the horn


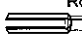
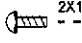


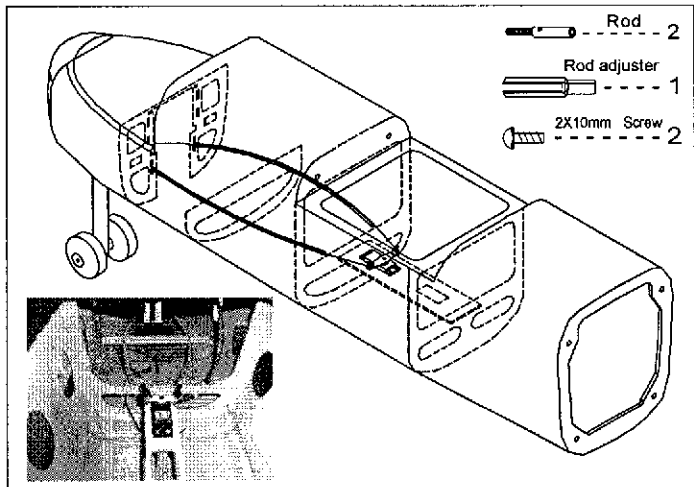
- Horn  ----- 1
- 2X28mm Screw  ----- 2
- 2X10mm Screw  ----- 1
- 1.8X85mm Rod  ----- 1
- Rod adjuster  ----- 1



24

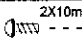
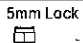

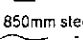
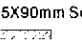
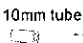
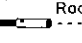
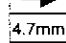
Install the front-wheel drive

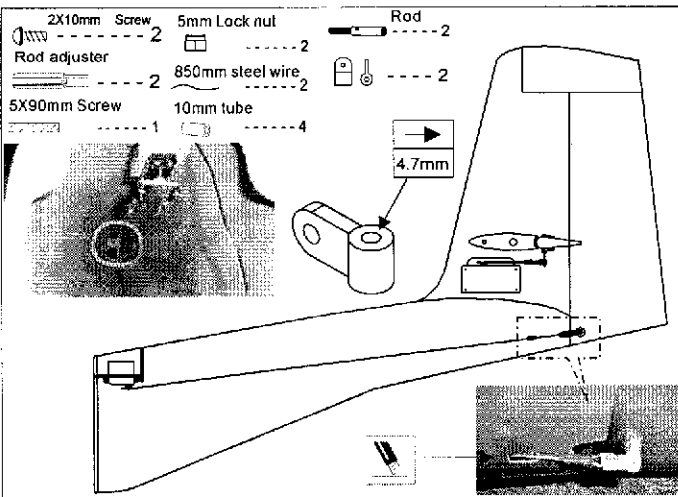
- Rod  ----- 2
- Rod adjuster  ----- 1
- 2X10mm Screw  ----- 2



22


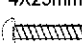

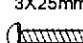

Rudder. Connect the linkage rod to the horn

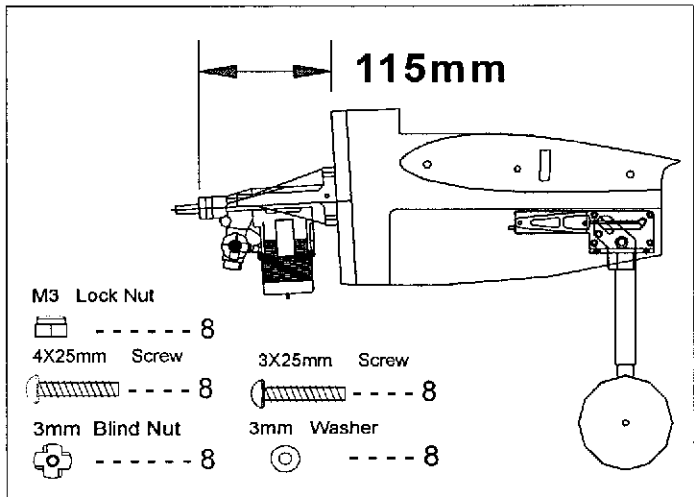
- 2X10mm Screw  ----- 2
- 5mm Lock nut  ----- 2
- Rod adjuster  ----- 2
- 850mm steel wire  ----- 2
- 5X90mm Screw  ----- 1
- 10mm tube  ----- 4
- Rod  ----- 2
- 4.7mm 



25

Assembly of the engine

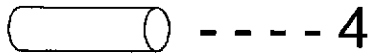
- M3 Lock Nut  ----- 8
 - 4X25mm Screw  ----- 8
 - 3mm Blind Nut  ----- 8
 - 3X25mm Screw  ----- 8
 - 3mm Washer  ----- 8
- 115mm



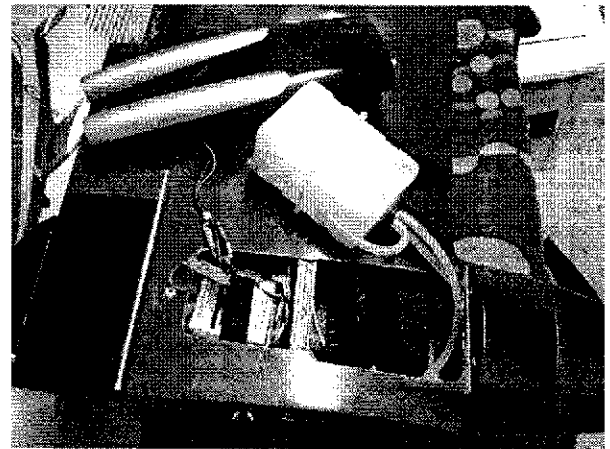


Accessory list for this page.

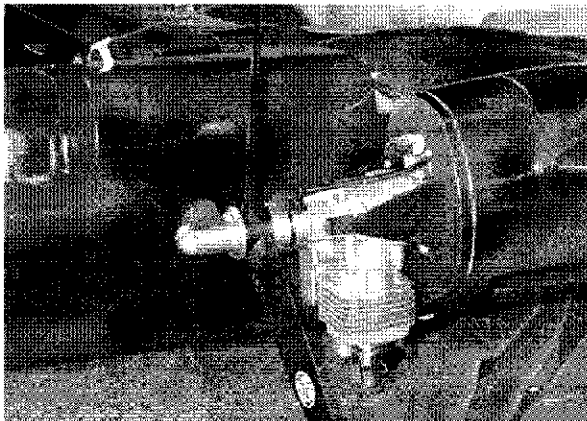
dowel



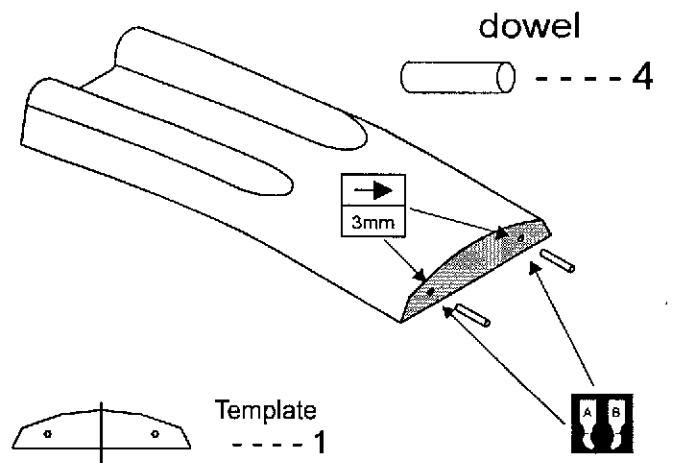
28 Mount fuel tank to the wing



26 Assembly of the engine

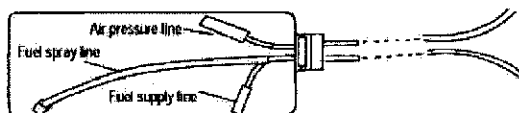
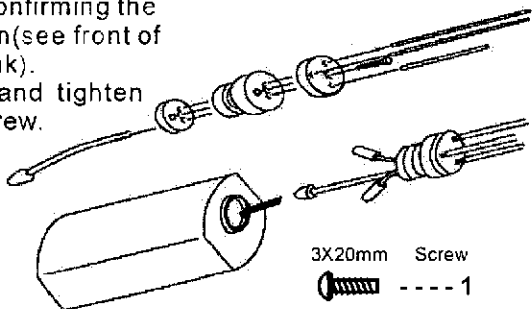


29 Assembly of the cover with dowel

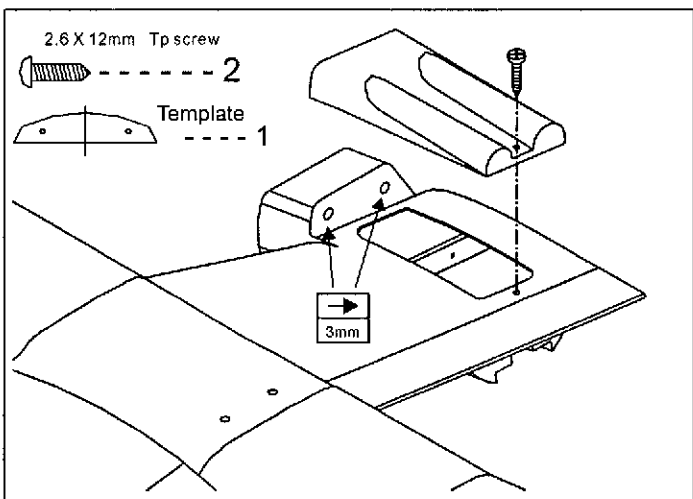


27 Assembly of the full tank

After confirming the position (see front of fuel tank). Insert and tighten the screw.



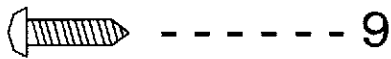
30 Assembly of the cover with screw



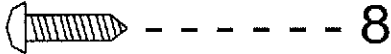


Accessory list for this page.

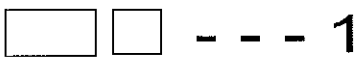
2.6 X 12mm Tp screw



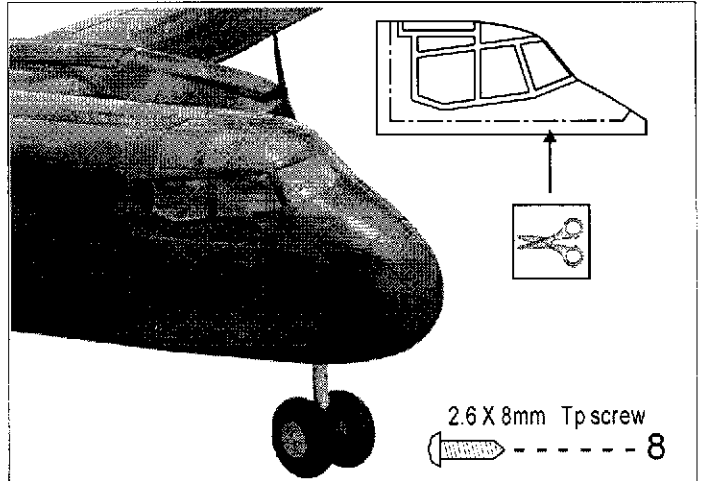
2.6 X 8mm Tp screw



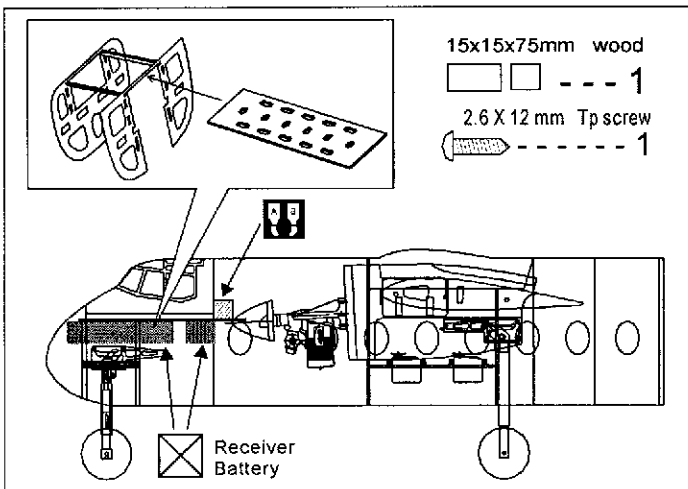
15x15x75mm wood



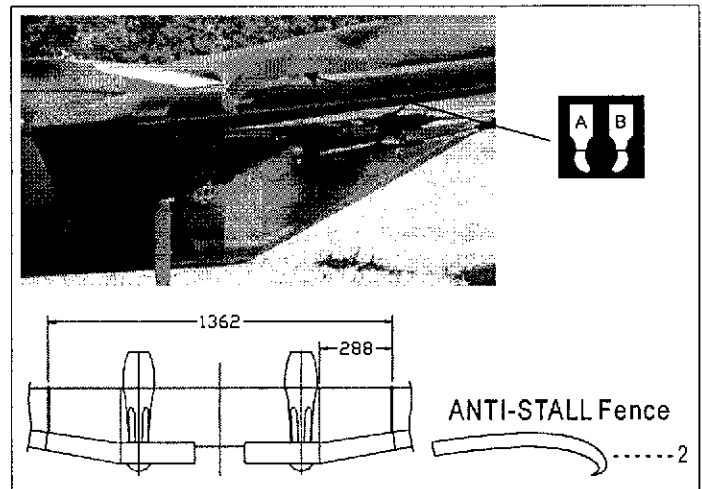
33 Cut away the surplus parts of canopy carefully along the shaded line



31 Mount the receiver and battery in the fuselage

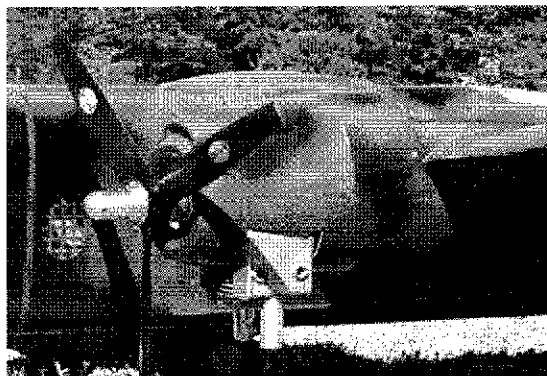
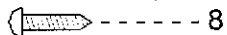


34 Install the ANTI-STALL Fence

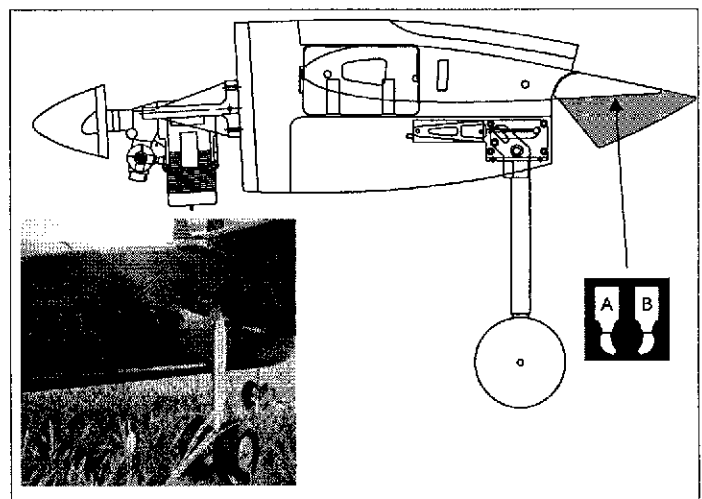


32 Assemble the cowling

2.6 X 12mm Tp screw



35 Install nacelle tail block



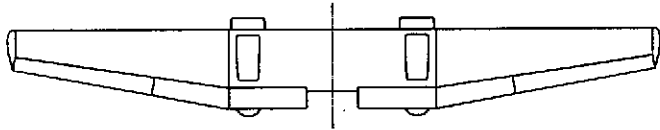
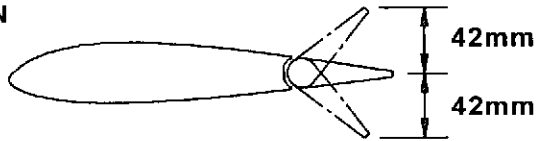
36 Adjustment.

Adjust the travel of each control surface to the values in the diagrams.
These values fit general flight capabilities.
Readjust according to your needs and flight level.

AILERON

Side view

Top view

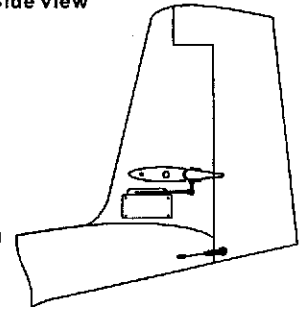
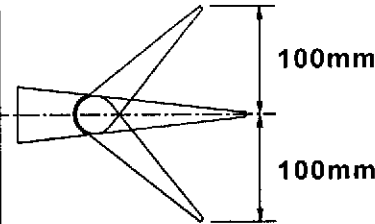


38 Adjustment

Adjust the travel of each control surface to the values in the diagrams.
These values fit general flight capabilities.
Readjust according to your needs and flight level.

Rudder
Top view

Side view



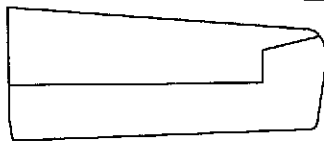
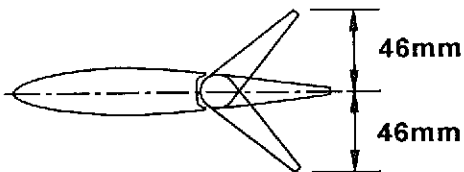
37 Adjustment.

Adjust the travel of each control surface to the values in the diagrams.
These values fit general flight capabilities.
Readjust according to your needs and flight level.

ELEVATOR

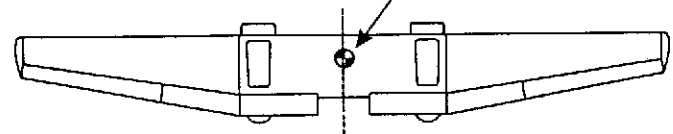
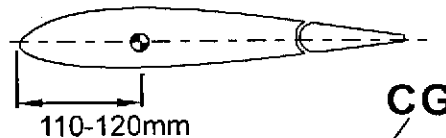
Side view

Top view



39 Adjustment.

Never fly before checking the Cg' s required position.
In order to obtain the CG specified ,reposition the receiver and battery.



警告
Warning!

NEVER fly the model
without well balancing.