

## SECURITY-DROP DOOR MECHANISM

### INSTALLATION/REPLACEMENT INSTRUCTIONS

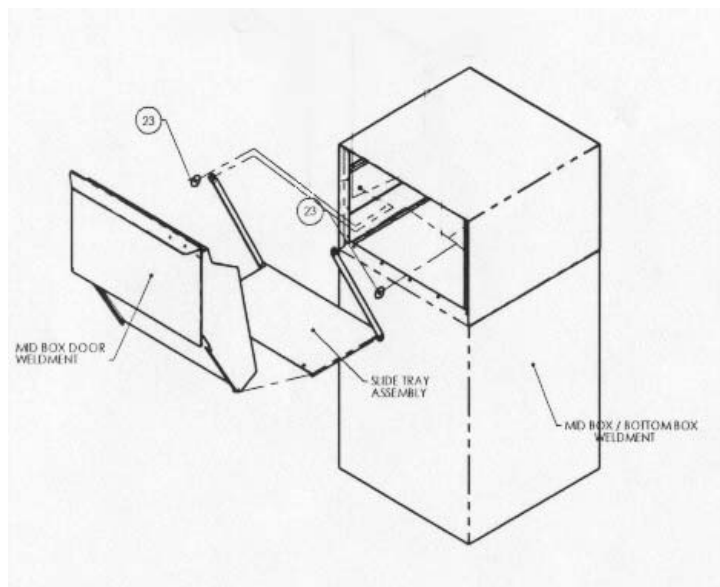
Tools and/or Materials Required:

- $\frac{3}{8}$  inch open/box end wrench or socket set
- Standard or flat head screw driver

Note: An assistant is recommended for this operation.

#### Installation/Replacement Procedure:

1. Open the key/pushbutton-locked access door.
2. Open the security-drop door and hold in the open position to gain access to the 5, 10-32 hex nuts located on the hinge assembly of the security-drop door mechanism.
3. Remove all 5 hex nuts (an assistant may needed to hold the door in its open position).
4. Remove top section of security-drop door mechanism by lifting slightly and sliding out and away from the slide tray assembly (see image below).
5. You now have access to the slide tray, linkage straps, plastic washers and security screws. Examine these items and replace if necessary.
6. Reinstall original/replacement security-drop door while inserting the slide tray. Make certain that the linkage straps are on the outside of security-drop door gusset. Reinstall 5, 10-32 hex nuts and tighten as needed (do not over tighten). If properly installed the linkage straps and security screws will not be seen or accessible from the outside of the unit.



NOTE: DO NOT VENEER PACKAGE-DROP DOOR OR ALTER THE WEIGHT OF THE DOOR MECHANISM IN ANY WAY. DOING SO WILL CAUSE THE DOOR MECHANISM TO MALFUNCTION.