

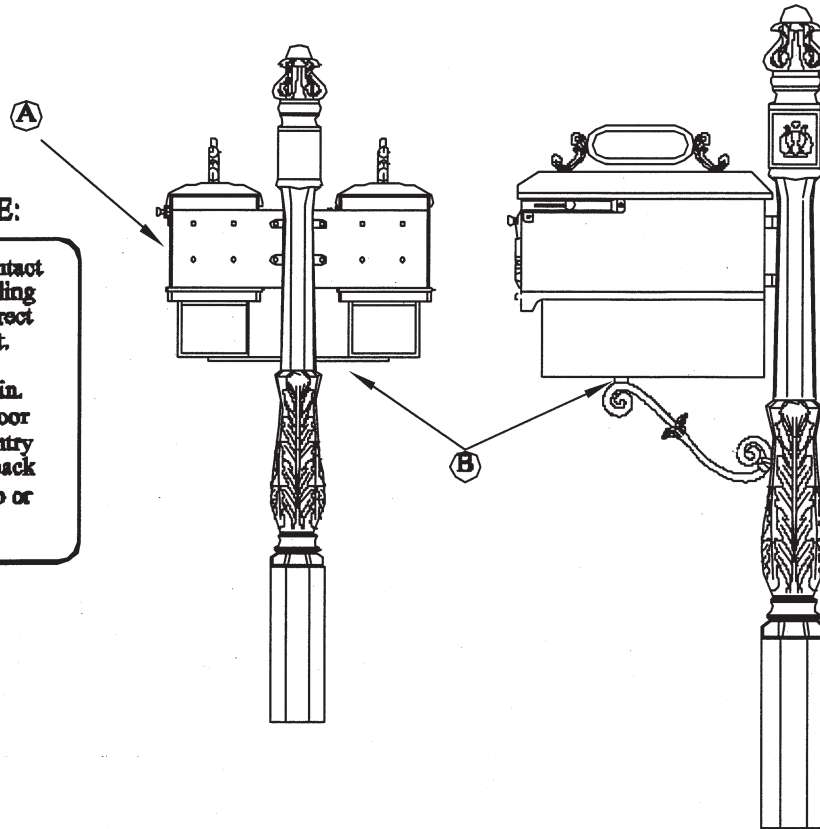


## CUSTOM HOME ACCESSORIES

11300 Trade Center Drive, STE A  
 Rancho Cordova, CA 95742  
 Ph: 1-800-265-0041 / Fax: 916-635-0228  
 www.customhomex.com

### IMPORTANT NOTE:

Customers are required to contact local post office before installing the mailbox to ensure its correct placement and height at street. Generally, mailboxes are installed at a height of 41-45 in. from road surface to inside floor of mailbox or point of mail entry (locked designs) and are set back 6-8 in. from front face of curb or road edge to mailbox door.



## Assembly & Installation Instructions

**To Facilitate Installation:** Completely assemble entire mailbox unit. Dig hole approximately 16 inches deep with post hole digger or shovel and install box using either wet or dry mix of concrete. Level box not post, with a slightly forward angle. Some temporary support may be necessary while concrete sets.

1. Bolt Twin Plate (A) to post, leave loose.
2. Bolt boxes to twin plate using carriage bolts and rubber washer. Leave loose.  
 Note: If not using newspaper boxes, go to step 4.
3. Use 6" straps to attach newspaper boxes. Back of newspaper box and mailbox should be flush.
4. Attach twin bar (B), to bottom of mailboxes or newspaper boxes, leave loose. Attach scroll to bar. Lift boxes and insert scroll support dowel pin into post.
5. Starting with twin bar (B), tighten all bolts. Ensure twin bar is in the middle of the slotted hole. Next, tighten the mailboxes to twin plate (A), starting with the top bolts first, ensuring they are square to the plate. Finally, tighten twin plate (A) to post, starting with top bolts first.
6. Place assembled post into hole, line up box with curb, and add concrete.
7. If needed, drive a stake into ground 3 or 4 feet behind post. Tie a string from stake to top of post to keep unit plumb.