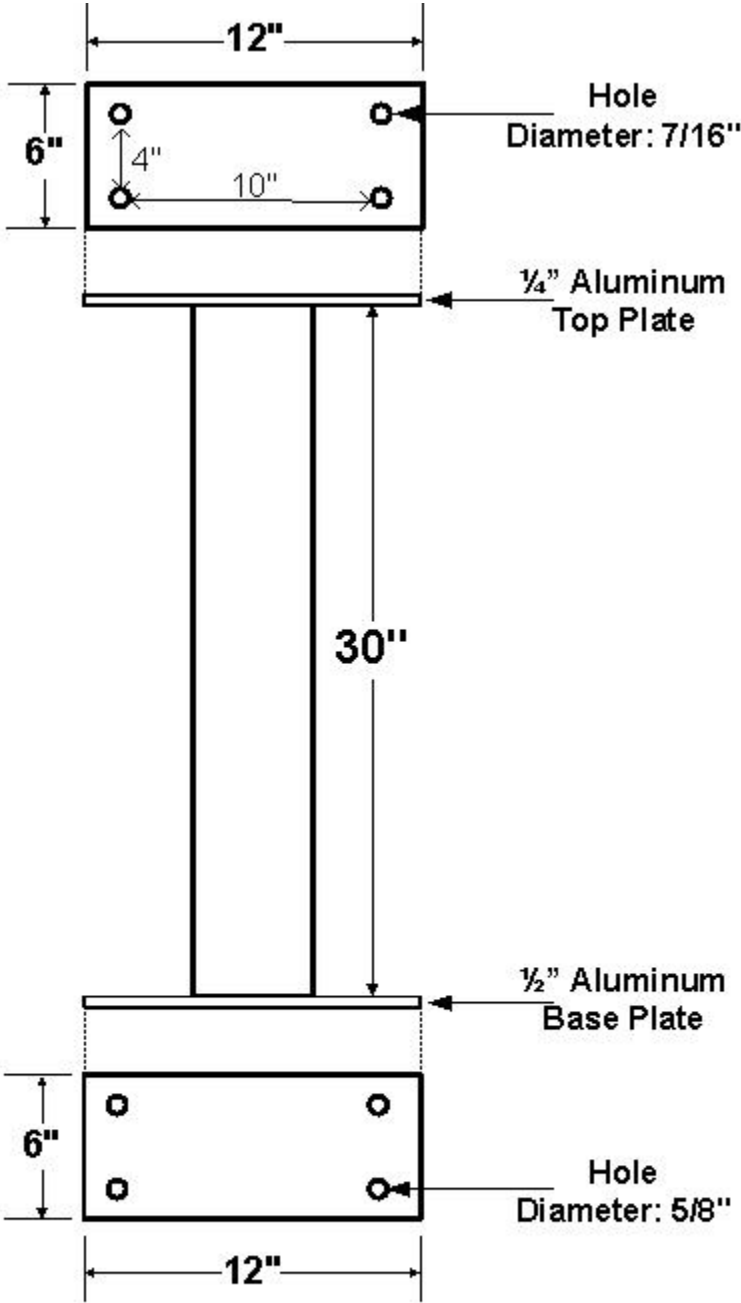


Post diameter: 4"
Bolt Pattern: 4" x 10"
Top and Base Plates:
6"W x 12"L



30" Surface Mount Post