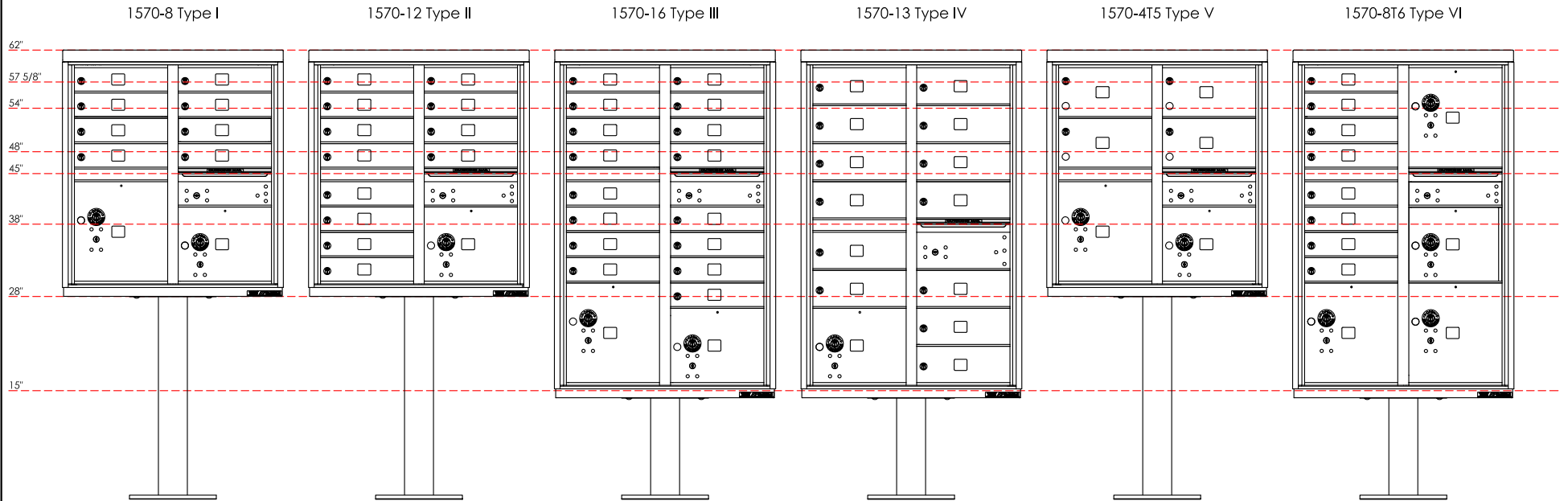


# vital™ Cluster Box Unit



**NOTES:**

ALL CBU Types have a pedestal designed to ensure installed height meets all USPS installation requirements without additional adjustment.

All CBU Types include sufficient compartments to comply with the new March 15, 2012 ADA unobstructed reach stands which were lowered from 54" to 48" and include 5% of all mailboxes to be compliant.

Sequential numbering of mailbox compartments (in lieu of house numbers) may allow greater flexibility in providing accessible tenant compartments to meet applicable regulations.

Consult local authorities for applicable accessibility requirements related to mailbox project.

PRODUCT SERIES: vital™ CBU HEIGHT LAYOUT			
MODEL CBU		REV A	
SCALE 3:64		LAST REV DATE 9/26/2012	
DRAWING NUMBER 1570CS		DRAWN BY AFD	