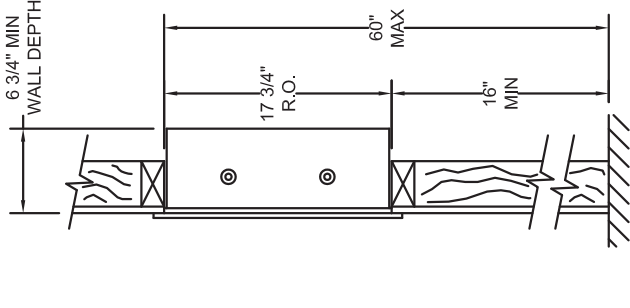
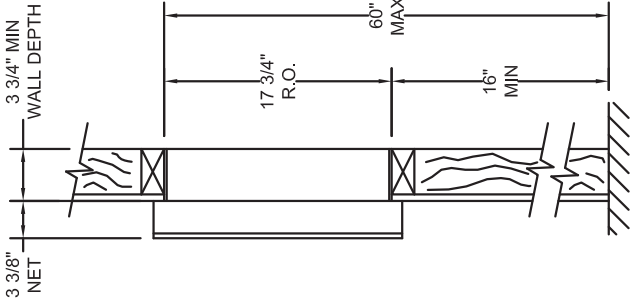


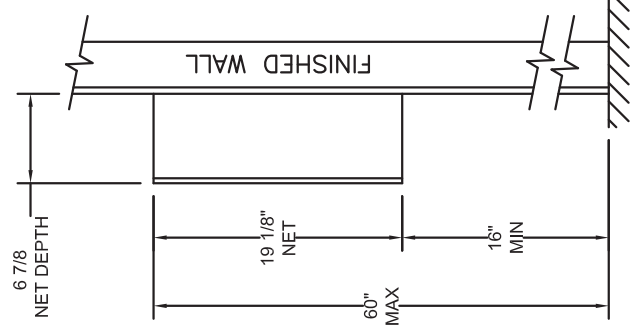
# 1250-5 VERTICAL STYLE MAILBOX



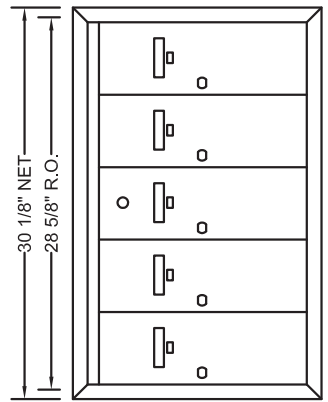
FINISHED FLOOR  
(RECESS MOUNT)



FINISHED FLOOR  
(SEMI-RECESS MOUNT)



FINISHED FLOOR  
(SURFACE MOUNT)



**NOTES:**

**STANDARD:**

1. (1) 1250-5 SERIES ALUMINUM CABINET WITH (4) STANDARD SIZE DOORS (16"H X 5 1/2"W), AND (1) STANDARD SIZE MASTER DOOR PREPARED FOR POSTAL MASTER LOCK.
2. CLEAR ANODIZED FINISH.
3. 5-PIN CYLINDER CAM TYPE LOCK WITH (2) KEYS EACH.
4. TENANT NAME CARD HOLDER ON EACH DOOR.
5. RECESSED MOUNT (NO COLLAR REQUIRED).
6. UNIT WEIGHT: 28 POUNDS.

PRODUCT SERIES: 1250-5 VERTICAL STYLE MAILBOX

MODEL	1250-5	REV	D
SCALE	NONE	LAST REV DATE	8/24/2012
DRAWING NUMBER	CS5050	DRAWN BY	RAK