

VGA Video/Audio Extender via CAT5: Extend to 300 feet

XTENDEX®

Extend a VGA monitor up to 300 feet away from a computer.

- Ideal solution for digital signage applications.
- Supports local and remote VGA monitors.
- Supports resolutions to 1920x1440.
- Sharpest and clearest VGA quality over CAT5 of any manufacturer.
- Built-in surge protection.
- Available with optional stereo audio.
- Integrated mounting brackets for easy surface/wall mounting.
- Use in-house CAT5/5e/6/6a phone wiring to locate a monitor remotely.
- Optional VESA mounting bracket is available for mounting the local or remote unit to the back of a flat panel monitor.



ST-C5VA-300
(Remote & Local Unit)

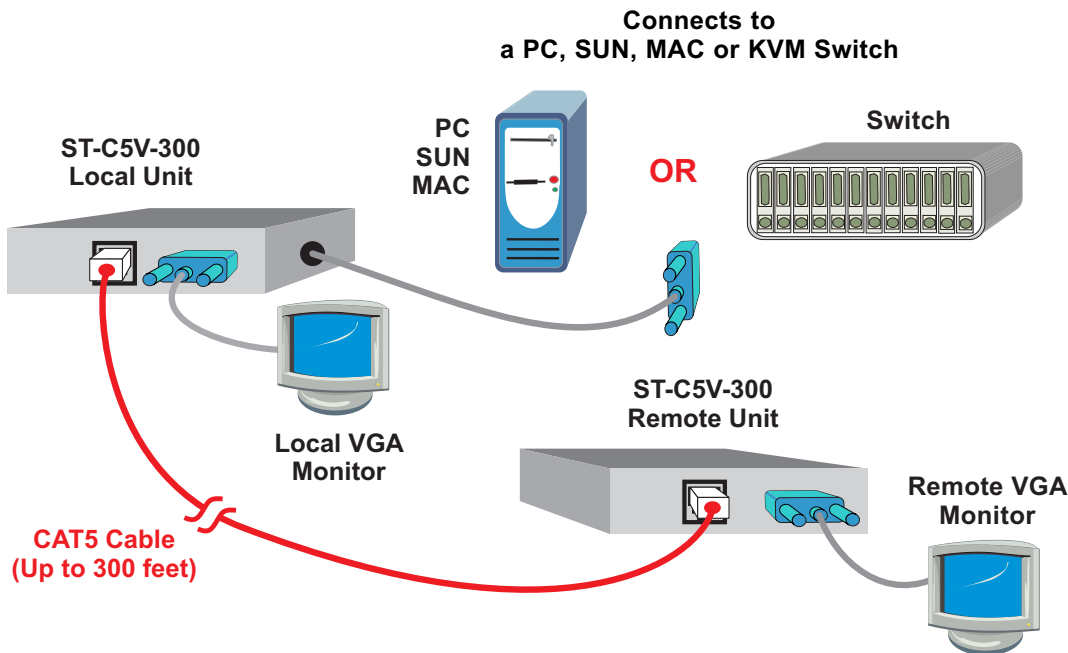


Designed and
Manufactured
in the USA

- **Audio**
- **VESA Mounting Bracket**

The XTENDEX® VGA Extender transmits VGA video up to 300 feet away from a computer using CAT5/5e/6/6a cable. Each video extender consists of a local unit that connects to a computer and also supplies video to a local monitor, and a remote unit that connects to a monitor.

Configuration and Cable Illustration



VGA Video/Audio Extender via CAT5: Extend to 300 feet

XTENDEX®

Extend a VGA monitor up to 300 feet away from a computer.

Specifications

Local Unit

- **Host Connection**
 - Supports a PC, SUN, MAC or NTI switch with VGA video.
 - Multiplatform support: Windows 2000/XP/Vista/7/8/10, Windows Server 2000/2003/2008/2012, Solaris, Linux, FreeBSD, and MAC OS 9/10.
 - Male 15-pin HD connector for computer connection.
 - Optional stereo audio support - 3.5 mm stereo plug.
- **Local Access**
 - Crisp and clear 1920x1440 video resolution.
 - Female 15-pin HD connector for local VGA monitor.
 - Optional stereo audio support - 3.5 mm stereo jack.

Remote Unit

- Supports resolutions up to 1920x1440; refer to the resolution chart below for resolutions at different lengths.
- Female 15-pin HD connector.
- Optional 3.5 mm stereo audio connection.

Video Quality Adjustment

- Video quality adjustment for different lengths of CAT5/5e/6/6a cable is done manually.
- Test Pattern for Cable Length

Environmental

- Operating temperature: 32 to 100°F (0 to 38°C).
- Storage temperature: -20 to 140°F (-30 to 60°C).
- Operating and Storage Relative Humidity: 17 - 90% non-condensing RH.

Dimensions:

- WxDxH: 3.5x3.1x1.2 in (89x79x30 mm)
- Weight: 1.2 lbs (0.54 kg)

Distances and Resolutions for CAT5/Cat5e and CAT6 Cables

Cable	Distance ft	Maximum Resolution
CAT5/5E Solid UTP	300	1280x1024 at 60 Hz
	150	1600x1200 at 60 Hz
	100	1920x1440 at 60 Hz
CAT5/5E SOLID STP, CAT6 Solid UTP	300	1600x1200 at 60 Hz
	150	1280x1024 at 60 Hz
	100	1600x1200 at 60 Hz
CAT6a Solid UTP	300	1024x768 at 60 Hz
	150	1280x1024 at 60 Hz
	100	1920x1200 at 60 Hz

Note: CAT6/6a cable has a higher skew than CAT5/5e cable, which causes colors to smear. Since these extenders do not have internal skew compensation, they work at shorter distances with CAT6/6a cable.

VGA Extender Models

Supported Features	Local or Remote	# of Ports	NTI Part #
VGA	Both	1	ST-C5V-300
VGA + Audio	Both	1	ST-C5VA-300

Power

- Local unit: 110 or 220 VAC at 50 or 60 Hz via AC adapter (included).
- Remote unit: powered from local unit via CAT5/5e/6/6a cable.
- Power Consumption: Local unit: 10 W; Remote unit: powered from local unit

MTBF

NTI Part #	MTBF (hrs)	NTI Part #	MTBF (hrs)
ST-C5V-300 (local)	92,988	ST-C5V-300 (remote)	89,275
ST-C5VA-300 (local)	89,874	ST-C5VA-300 (remote)	86,360

Regulatory Approvals

- CE, RoHS

Cables

- CAT5, CAT5e or CAT6 solid straight through cable for TIA/EIA-568B wiring terminated with standard RJ45 connectors.
- Cables not included.

Options

Stereo Audio

- Stereo audio can be heard both locally and remotely.
- Frequency response: 20 Hz to 20 kHz, ±1 dB.
- Signal-to-Noise Ratio (SNR): 76 dBA.
- Total Harmonic Distortion and Noise (THD+N): 0.017%.
- Stereo crosstalk: -70 dB.
- Input impedance: 10k Ohms.
- Line level output; supports multimedia speakers.
- Maximum I/O levels: 3.1Vp-p (line level).
- CD quality audio output.

VESA Mounting Bracket

- Use to mount the local or remote unit to the back of a flat panel monitor.
- Compliant to VESA 75mm and 100mm mounting hole patterns.
- Dimensions WxH (in): 9.7x4.8
- Compatible with the local or remote unit.



ST-C5MK-VESA - VESA Mounting Bracket