

E-SLDO-14 (-240VTR)

SPOT LEAK DETECTOR

DESCRIPTION

The E-SLDO-14 spot leak detector is an economical solution for detecting fluids in small, confined areas, such as drip pans. The unit is designed with polymer coated sensing probes to detect conductive fluids at a single point. The height of the probes can easily be adjusted to the desired position by simply bending them. Units can be screwed or glued to the floor or baseboard for quick installation.

The E-SLDO-14 will provide notification of leakage when used in conjunction with an E-2D/-5D/-16D or E-MINI-LXO Server Environment Monitoring System (SYSTEM).

FEATURES

- Adjustable sensing probe height (from 0" to 0.75")
- Small footprint
- No exposed metal sensing posts
- All components encapsulated against moisture
- Switching capability 0.5A at 120 VAC
- Simple installation

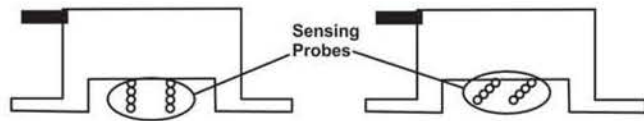
E-SLDO-14 includes a 120V-to-24VAC power supply
E-SLDO-14-240VTR includes a power supply with input (mains) leads for 120V, 208V, 240V or 277VAC connection and a power cord.



SPECIFICATIONS			
Supply Voltage	24 VAC, 0.1A (supplied)	Cable Length	14' (4.27m)
Contact Rating	1A @ 24 VAC, 0.5A @ 120 VAC resistive	Dimensions	2.0"H x 1.55"W x 1.0"D (5.1 x 3.9 x 2.5 cm)
Contact Type	SPDT	Approvals	CE, RoHS
Operating Temperature	32° to 122°F (0° to 50°C)	Weight	0.4 lb (0.2 kg)
Storage Humidity	5% to 95% non-condensing	Warranty	1 year

INSTALLATION NOTE

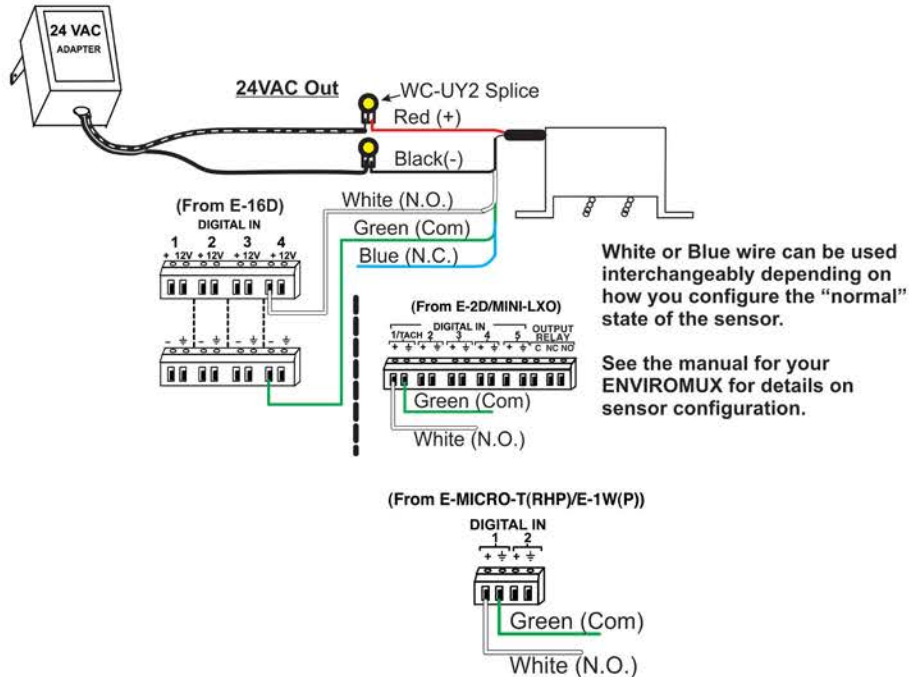
The angle of the sensing probes can be adjusted to change the sensitivity of the E-SLDO-14. The closer the probes are to the floor, the smaller the quantity of water required to trigger the sensor. Adjust the sensing probes to the desired height. Make sure the probes don't touch each other.



E-SLDO-14

WIRING (for Detector with 120V-to-24VAC Power supply)

Connect the white (N/O) and green (Com) or blue (N/C) leads to the alarm device. Connect the black (-) and red (+) leads to the power source. Test the E-SLDO-14 by placing water under the sensing probes.



E-SLDO-14-240VTR

WIRING (for Detector with International Transformer)

Connect the green (Com) and either white (N/O) or blue (N/C) leads to the SYSTEM. Connect your power source to the proper wires in the "Line In" side of the transformer. Test the E-SLDO-14 by placing water under the sensing probes.

