



Scan for full manual

VP-427UHD Quick Start Guide

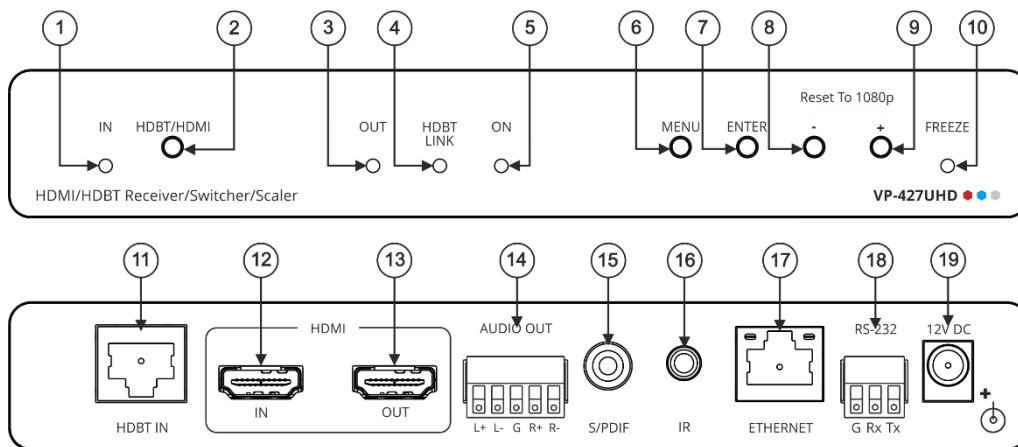
This guide helps you install and use your VP-427UHD for the first time.

Go to www.kramerav.com/downloads/VP-427UHD to download the latest user manual and check if firmware upgrades are available.

Step 1: Check what's in the box

- ✓ VP-427UHD HDMI/HDBT Receiver/Switcher/Scaler
- ✓ 1 Bracket set
- ✓ 1 Quick start guide
- ✓ 1 Power adapter and cord
- ✓ 4 Rubber feet

Step 2: Get to know your VP-427UHD



#	Feature	Function
1	IN LED	Lights green when the HDMI input is selected, blue when HDBT is selected and flashes if no input signal is detected.
2	HDBT/HDMI Button	Press to select the remote HDBT or the local HDMI source.
3	HDMI™ OUT Status LED	Lights green when an HDMI acceptor is connected.
4	HDBT LINK status LED	Lights green when an HDBT link between a transmitter and the receiver is successfully established and is active.
5	ON LED	Lights green when the unit is powered from the local 12V DC source and lights blue when receiving PoE via HDBT.
6	MENU Button	Press to enter the OSD menu. When in OSD, press to exit one level up.
7	ENTER Button	When not in OSD, press ENTER to view the input status on the display (the selected input, resolution and frame rate, HDCP state and aspect ratio). When in OSD, press to select and carry out a menu item or to accept a parameter value. Press and hold together with the – or + to increase the speed of parameter-decrement or increment, respectively. Press and hold for about 3 seconds to reset a menu parameter to its default values.
8	– Button	Press and hold together with the + button to reset the output resolution to 1080p (default). In OSD, press to move back through the menu list or to decrement a parameter value (or press together with ENTER to speed up parameter decrement).
9	+ (also Freeze) Button	Press and hold together with the – button to reset the output resolution to 1080p (default). When not in OSD: press to freeze the image; In OSD, press to move forward through the sub-menu list or to increment the parameter value (or press together with ENTER to speed up parameter increment).
10	FREEZE LED	Lights green when freezing the image.
11	HDBT IN RJ-45 Connector	Connects to an HDBaseT transmitter.
12	HDMI IN Connector	Connect to an HDMI source.
13	HDMI OUT Connector	Connects to an HDMI acceptor.

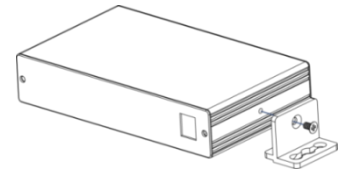
#	Feature	Function
14	AUDIO OUT 5-pin Terminal Block Connector	Connect to a balanced or unbalanced stereo audio acceptor.
15	S/PDIF digital audio output	Connect to a digital audio acceptor.
16	IR 3.5mm Mini Jack	Connect to an IR Sensor (in) or Emitter (out) to control a remote device.
17	Ethernet RJ-45 Connector	Connect via a LAN to a PC to control the VP-427UHD and/or extend Ethernet signals to the HDBT transmitter via the HDBT IN port.
18	RS-232 Terminal Block Connector	Connects to a controller to control the VP-427UHD or to extend RS-232 signals between the VP-427UHD and the RS-232 port of the connected HDBT transmitter.
19	12V DC	+12V DC connector for powering the unit.

The terms HDMI, HDMI High-Definition Multimedia Interface, and the HDMI Logo are trademarks or registered trademarks of HDMI Licensing Administrator, Inc.

Step 3: Install the VP-427UHD

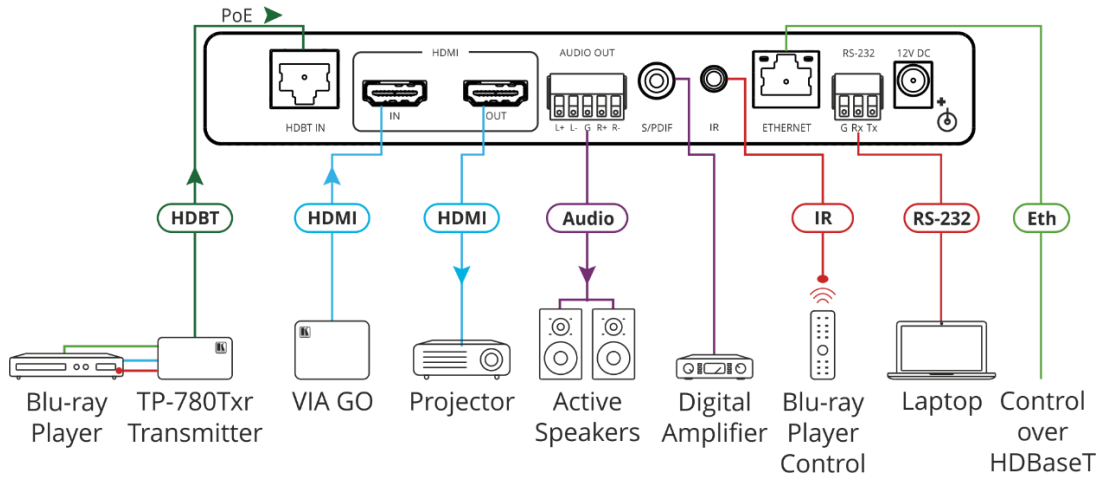
Install **VP-427UHD** using one of the following methods:

- Attach the rubber feet and place the unit on a flat surface.
- Fasten a bracket (included) on each side of the unit and attach it to a flat surface. For more information go to www.kramerav.com/downloads/VP-427UHD.
- Mount the unit in a rack using the recommended rack adapter (see www.kramerav.com/product/VP-427UHD).



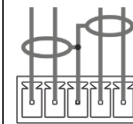
Step 4: Connect the inputs and outputs

Always switch OFF the power on each device before connecting it to your **VP-427UHD**. For best results, we recommend that you always use Kramer high-performance cables to connect AV equipment to the **VP-427UHD**.



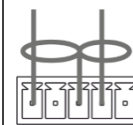
Connect AUDIO OUT

To a balanced stereo audio acceptor:



L+ L- G R+ R-

To an unbalanced stereo audio acceptor:



L+ L- G R+ R-

For optimum range and performance use the recommended Kramer cables available at www.kramerav.com/product/VP-427UHD

Step 5: Connect the power

Connect the 12V DC power supply to **VP-427UHD** into the mains electricity. When the connected transmitter provides PoE for the **VP-427UHD**, you do not need to connect it to the 12V DC power supply.

Safety Instructions



- Caution:** There are no operator serviceable parts inside the unit.
- Warning:** Use only the power cord that is supplied with the unit.
- Warning:** Do not open the unit. High voltages can cause electrical shock! Servicing by qualified personnel only.
- Warning:** Disconnect the power and unplug the unit from the wall before installing.

See www.KramerAV.com for updated safety information

Step 6: Operate the VP-427UHD

Operate the **VP-427UHD**:

- Toggle the HDBT/HDMI front panel button to select the input.
- Control device via OSD menu or remotely by RS-232 serial commands or Ethernet transmitted by a touch screen system, PC, or other serial controller.
- Control remote devices on the transmitter via RS-232, IR or Ethernet signal extension.

RS-232 Control / Protocol 3000?

Baud Rate:	115,200	Parity:	None	Stop Bits:	1
Data Bits:	8	Command Format:	ASCII		
Example: (get device model): #MODEL?<CR>					

Default Ethernet Parameters

IP Address:	192.168.1.39	UDP Port #:	50000	Gateway:	0.0.0.0.
Subnet mask:	255.255.0.0	TCP Port #:	5000		