



## Introduction

This product is designed to extend HDMI signal over coaxial cable. With the advantages of good image quality, strong resistance to interference, it can be widely applied in CCTV, outer large screen, shopping mall advertisement, media education and digital signage fields etc.

## Features

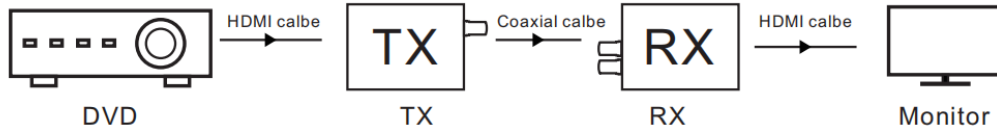
- Transmit HDMI signals up to 1640Ft (500m) using one RG6/7/11 coaxial cable.
- Recommend the Solid & shielded coaxial cables with metal 75 Ohm BNC connectors
- Support the Coax loop out on the transmitter
- Support the Coax loop out on the receiver which is available to have more receivers
- Support HDMI resolution:720p@50/60Hz, 1080i@50/60Hz, 1080p@50/60Hz.
- Support HDMI 1.4 and HDCP 1.4 version.
- Audio Supports PCM 48KHz.
- No signal loss and delay

## Specification

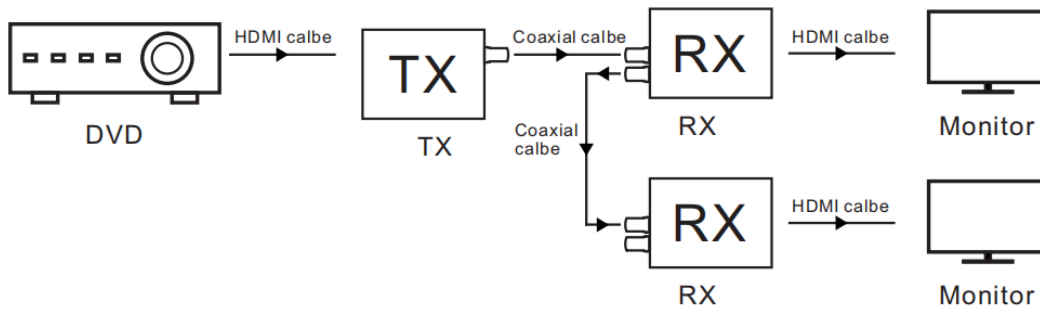
Technical	
Transmitter	1 HDMI input, 1 HDMI loop out, 1 BNC Coax output
Receiver	1 HDMI output, 1 BNC Coax input, 1 BNC Coax loop out
Operating Temperature	0°C to 45°C (32°F to 113°F)
Storage Temperature	-20°C to 70°C (-4°F to 158°F)
Humidity	10% to 90%, non-condensing
Power Supply	DC 12V 0.5A
Consumption (Max)	2.5W
Dimension	110mm x 70mm x 22mm/ 4.33" x 2.75" x 0.86"
Product Weight	350kg/0.77lb

### Connection diagram

Point to Point



Cascade on from the Rx



Point to Multiple points

