

GENUINE FOG LAMP INSTALLATION KIT

Using (Installation) Instructions

Applicable model: MAZDA 5
Part Number: CD83 V7 220F

Thank you very much for buying the Mazda Genuine Parts.

Before removal and installation, you are expected to carefully read these instructions.

To use it in its best conditions, be sure to read thoroughly these instructions for full Understanding of the contents and to properly use it.

< Cautions and Requests >

⚠CAUTION and ⚠WARNING marks shown in these instructions indicate safety precautions, which you are requested to strictly comply with during installation and use.

⚠ WARNING : Indicates a situation in which serious injury or death could result if the warning is ignored.

⚠ CAUTION : Indicates a situation in which bodily injury or damage to the vehicle could result in if the caution is ignored.

Do not install the accessory in any way other than described in the following instructions.

Do not modify the accessory.

To ensure safety and reliability of the work, installation, removal and disposal work must be carried out by an authorized Mazda Dealership.

If you have any questions about the use of the accessory, ask your Mazda dealer for proper advice before using it.

We may not accept the liability for any problems that might have occurred due to non-compliance with these instructions.

Be careful not to lose removed parts, and be sure they are kept free from scratches, grease or other dirt.

To the dealer

Please turn over these instructions to the customer after installation.

To the customer

Keep these instructions after installation. The instructions may be necessary for installing other optional parts or removal of this accessory.

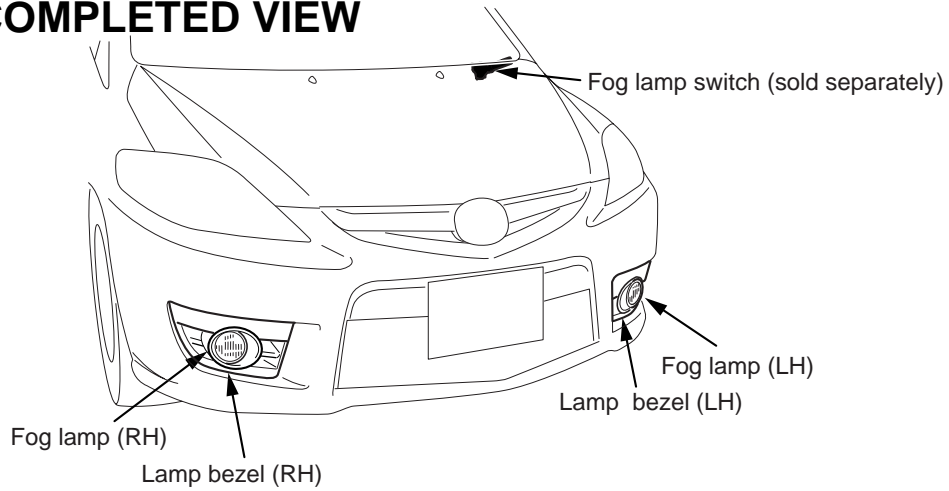
Should the vehicle or this accessory be resold, always leave these instructions with it for the next owner.

Mazda Motor Corporation

3-1, Shinch, Fuchu-cho, Aki-gun Hiroshima

1

AS-COMPLETED VIEW



2

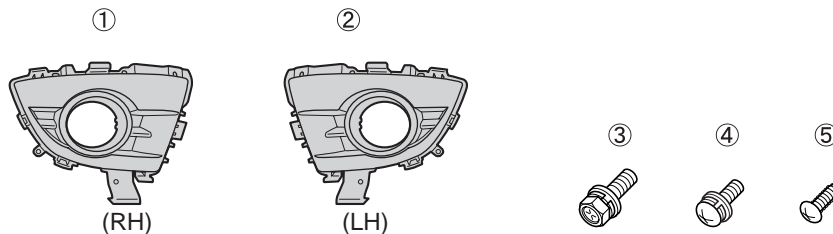
COMPONENTS



CAUTION

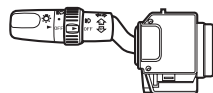
Make sure that there is no missing component based on the following parts list and check the components for any dirt, scratches or other damage.

No.	Part name	Q'ty	Part number
	Lamp bezel (RH)	1	C291-50-C11A
	Lamp bezel (LH)	1	C291-50-C21A
	Screw set	2	G22E-516H9
	Screw	2	G22E-51695
	Tapping screw	4	99865-0516
	Fog lamp (RH)	1	LE46 51680
	Fog lamp (LH)	1	LE46 51690
	Using installation instructions	1	_____
	Installation inspection sheet	1	_____

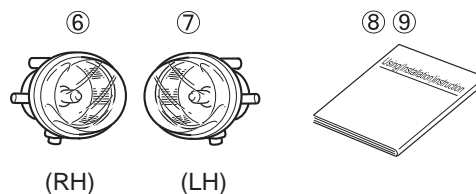


<Sold separately>

Fog lamp switch



- BN8R 66 122 (Vehicles without auto light only)
- BP8M 66 122 (Vehicles with auto light only)



3

PREPARATORY WORK BEFORE INSTALLATION

Tools used (Have them ready at hand before starting the work.)

- ◆ Phillips screwdriver
- ◆ Flat blade screwdriver
- ◆ Soft cloth (clean one)
- ◆ Protective sheet
- ◆ Socket wrench, torque wrench
- ◆ Protective tape (masking tape)
- ◆ Wheel block

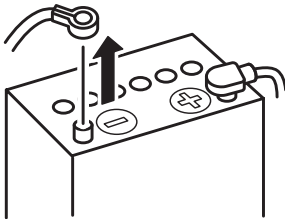

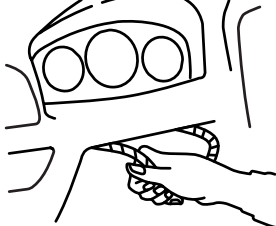


WARNING

- Make sure that operation is carried out on the level ground with the parking brake pedal and chock block securely set. Otherwise, vehicle may start to move and injury may result.

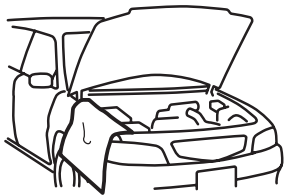
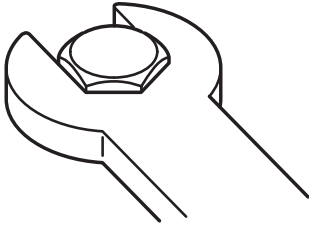
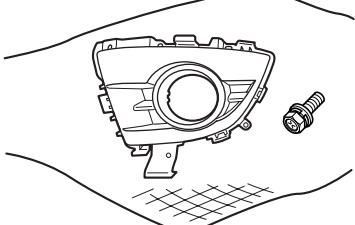


WARNING

<p>Disconnect the negative terminal of the battery and keep the terminal away from the battery. Otherwise short circuit, and accidents, electric shocks or fire may occur.</p>	<p>Hold the connectors when disconnecting / connecting them to ensure the disconnection / connection. Otherwise, accident or fire caused by breaking or contact failure may occur.</p>	<p>Avoid exercising excessive force when pulling a wiring harness. Otherwise, accident caused by breaking or short-circuit, electrification or fire may occur.</p>
		



CAUTION

<p>Use a mat or any other protective material when removing / installing components. Otherwise, breakage of components may occur.</p>	<p>Use right tools appropriate for the purpose and size of the work to be done to ensure proper execution of the work.</p>	<p>Place the removed parts and components on a protective sheet or equivalent to avoid any damage on such parts/components.</p>
		



CAUTION

- When the negative battery terminal is disconnected, the memories for equipment such as the clock, radio and trip meter will be erased, so make a note of the memory contents before starting work.
- **Be sure to use torque wrench to tighten bolts, nuts and screws to the specified torque. Otherwise, faulty installation, damage or destruction of the installed parts may occur.**

Note

- As for the removal or installation of vehicle parts, please refer to the vehicle workshop manual.

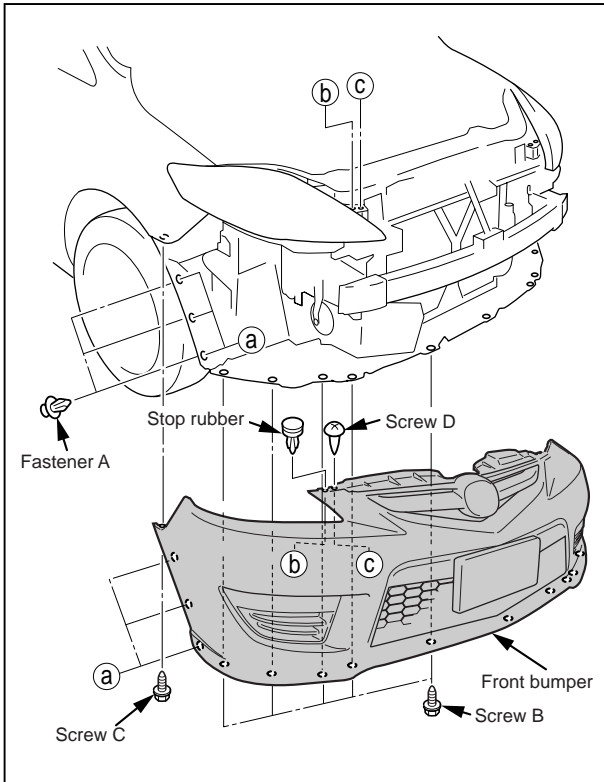
4

REMOVING THE VEHICLE COMPONENTS



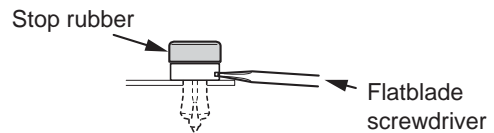
CAUTION

- Since the removed components are to be reused when reassembling, keep them in a manner that will tell where to reinstall.
- Place the removed bumper on a protective sheet to avoid any damage on the parts.



Removing the front bumper

1. Disconnect the negative cable of the battery.
2. Remove the fastener A (three for each of the left and right), screw B (five for each of the left and right), screw C (one for each of the left and right) and screw D (one for each of the left and right).
3. Remove the stop rubber by inserting a flat blade screwdriver into the gap under the rubber of the stop rubber.



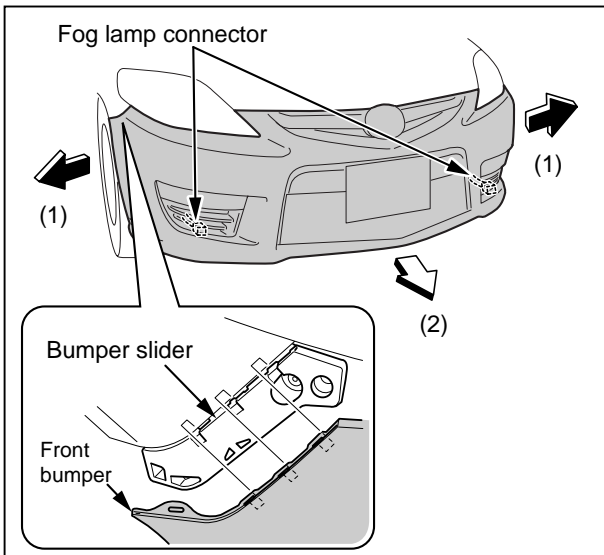
4. Pull the rear end of the front bumper in the direction of (1) to disconnect it from the bumper slider.

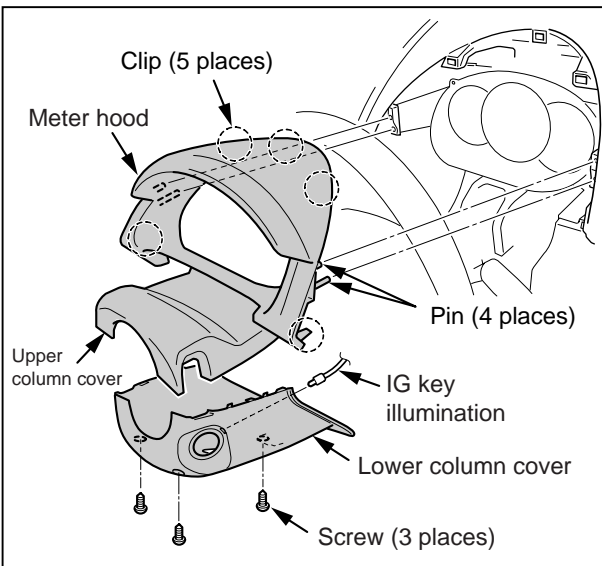
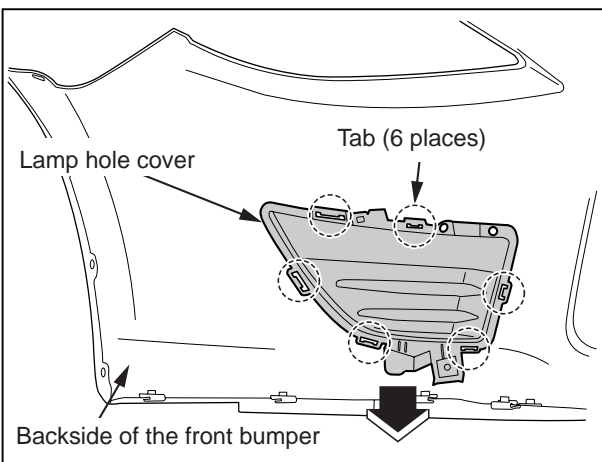
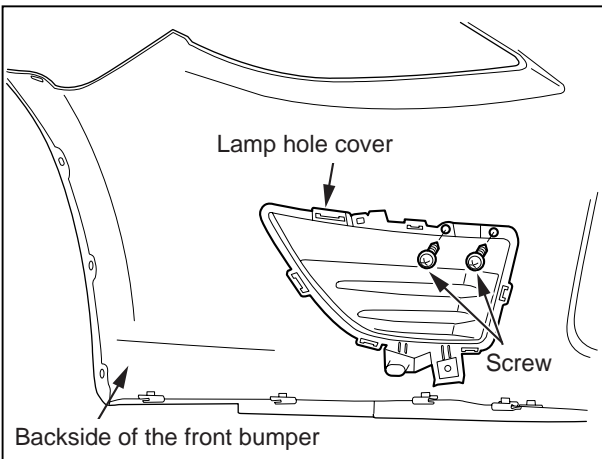


CAUTION

- Be careful not to drop the bumper when disconnecting it.

5. Disconnect the fog lamp connectors (one for each of the left and right) from the hole cover.
6. Pull out the front bumper in the direction of (2) and remove it from the vehicle.





Removing the lamp hole covers

1. Remove the screws (two places) retaining the lamp hole cover.
2. Disconnect the tabs (six places) of the lamp hole cover to remove it from the front bumper.
(Use the same procedure for the left-hand side parts.)

Note

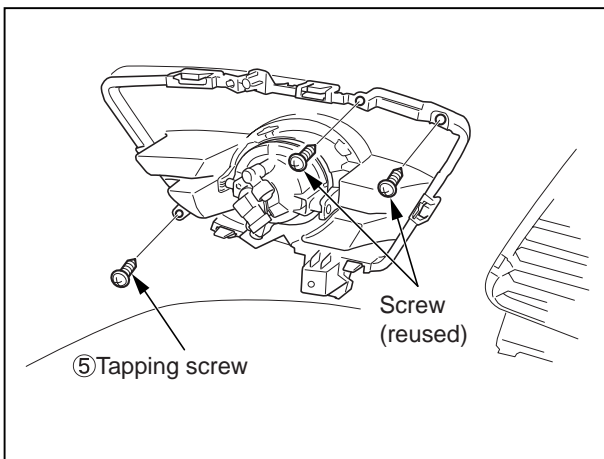
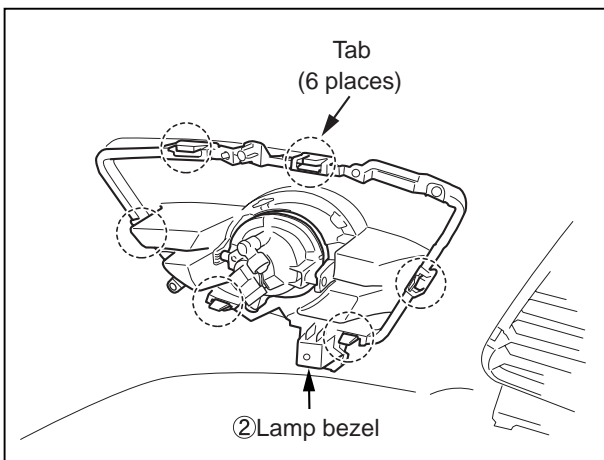
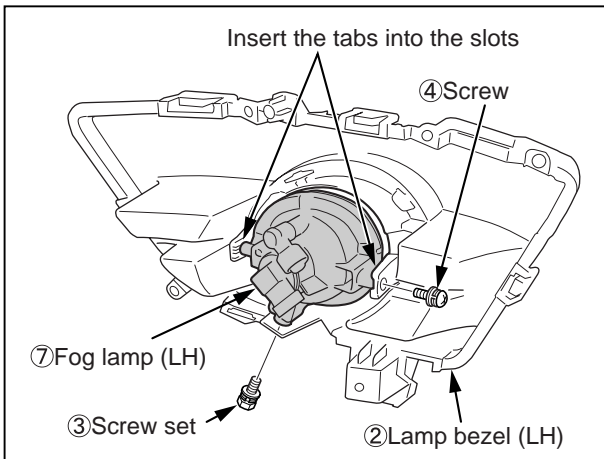
- The removed lamp hole covers will not be used with this product.

Removing the meter hood and column cover

1. Pull up the upper column cover to remove it from the lower column cover.
2. Remove the clips (five places) and the pins (four places) to remove the meter hood.
3. Remove the screws (three places) at the bottom of the lower column cover.
4. Remove the ignition key illumination and then remove the lower column cover.

5

INSTALLING THE FOG LAMPS



Note

- The procedures shown here is for the left-hand side only. Use the same procedure for the right-hand side parts.

Installing the fog lamps

1. Fix the fog lamp (LH) to the lamp bezel (LH) with screw set and screw.

Tightening torque

Screw set : 1.0 ~ 3.4N · m

Screw : 0.3 ~ 1.5N · m

2. Insert the tabs (six places) of the lamp bezel (LH) into the slots of the front bumper.

3. Tighten the screws (two pieces : reused) and the tapping screw (one piece).

Tightening torque

Screw (reused) : 0.3 ~ 1.5N · m

Tapping screw : 0.3 ~ 1.5N · m

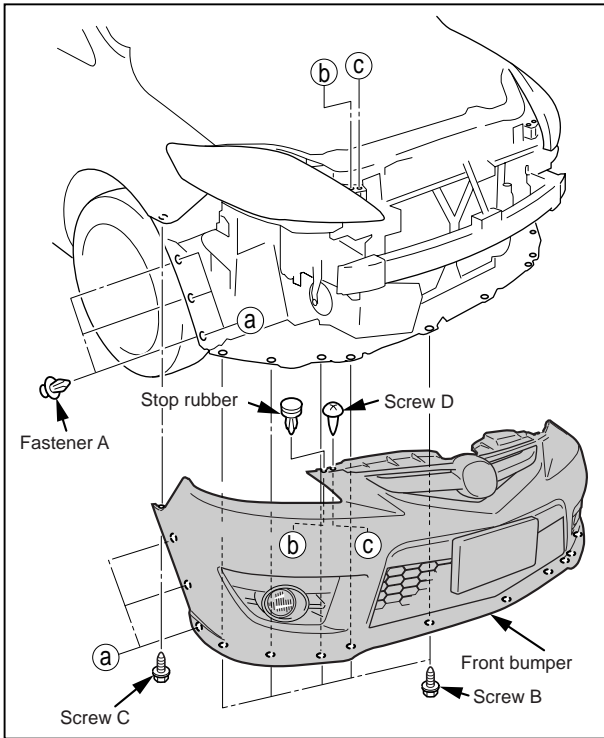
CAUTION

- If you fasten with those torques other than specified, the front air dam skirt might be broken or fallen off. Be careful to fasten accurately.

4. Install the fog lamp connector to the fog lamp.

CAUTION

- Make sure that that the fog lamp and the fog lamp bezel are firmly secured.
- When connecting the harnesses, insert the connectors firmly until they lock securely into place.



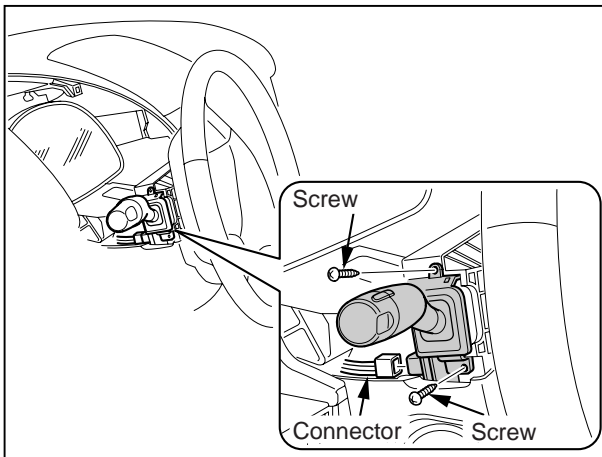
5. Install the front bumper by carrying out the procedure in "Removing the front bumper" (page 4) in reverse.

Tightening torque

- Screw B** : 1.0 ~ 1.5N · m (When restored)
- Screw C** : 1.0 ~ 1.5N · m (When restored)
- Screw D** : 6.9 ~ 9.8N · m (When restored)

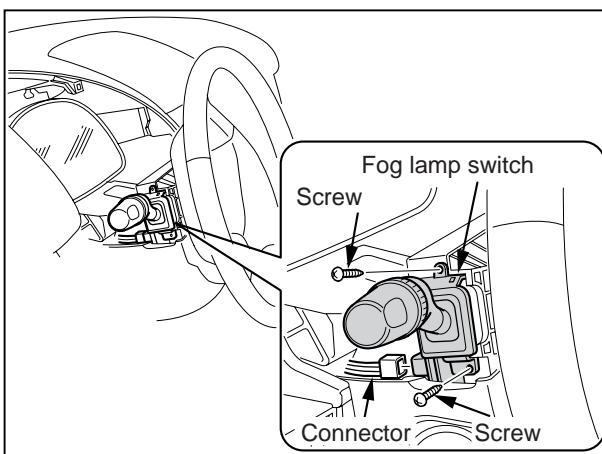
6 INSTALLING THE FOG LAMP SWITCH

(Fog lamp switch is sold separately)



Removing the (existing) light switch

1. Disconnect the vehicle connector of the light switch.
2. Remove the screws (two places).
(These screws will be reused when the fog lamp switch is installed)
3. Pull out the light switch.
(The removed light switch will not be reused.)



Installing the fog lamp switch

1. Connect the fog lamp switch (sold separately) and the vehicle connector.
2. Fix the fog lamp switch (sold separately) with the screws (two places).
3. Install the meter hood and column cover by carrying out the procedure in "Removing the meter hood and column cover " (page 5) in reverse.

7

CHECKING OPERATION



WARNING

- Clear area of all individuals around the vehicle or inside the vehicle. Serious accident may occur if the vehicle makes sudden movements.
- Do not start the engine in a poorly ventilated space like a garage. Intoxication or suffocation may occur due to gas emissions.

- After checking if wiring is properly performed, connect the negative terminal of the battery.



CAUTION

- If the battery connection is broken, the power windows will no longer fully open or fully close automatically. Carry out the following operation to restore normal operation.
 1. Set the ignition key to the "ON" position.
 2. Press the power window switch to fully open the power windows.
 3. Lift up the power window switch to fully close the power windows, and keep it pulled up for approximately 2 seconds.
 4. Confirm if the window fully opens and fully closes automatically.
Position the ignition key at OFF and then ON again. If the window doesn't work correctly, please contact Mazda dealer.

- Carry out the following operation checks by following the given procedure.

<Operation check procedure >

1. Turn on the head light switch.
2. The fog lamps should illuminate when the fog lamp switch is turned on.
3. The fog lamps should switch off when the fog lamp switch is turned off.

<Places to check if operation is incorrect >

NO



- Check that none of the harnesses are clamped.
- Check that all connectors are connected correctly.

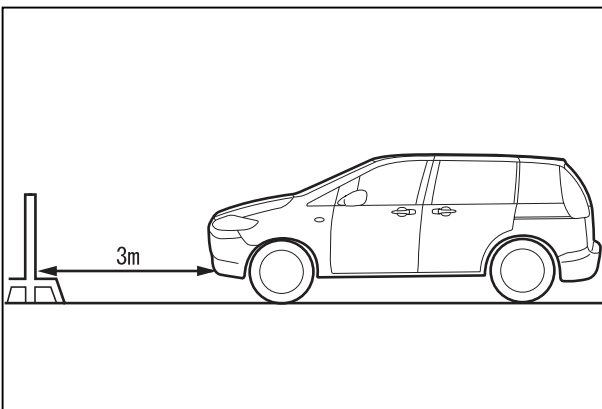


YES

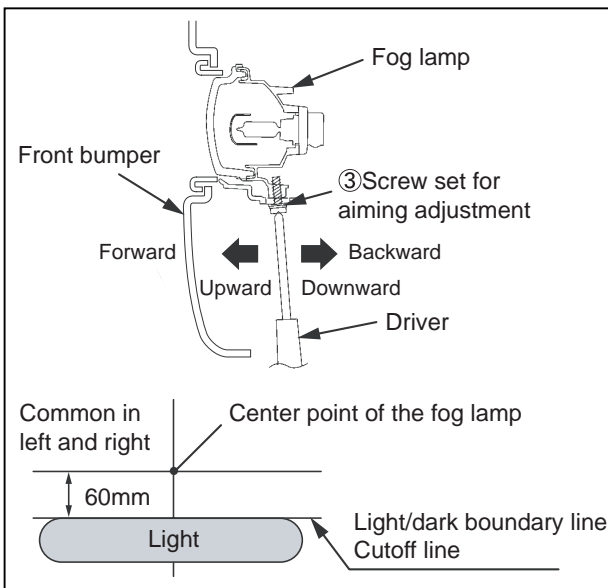
If operation is normal, this completes the procedure.

8

FOG LAMP AIMING ADJUSTMENT



1. Inflate the tires to the standard pressure.
2. Set the vehicle to the unladen condition, and park it on a level surface.
3. Have one person sit in the driver's seat.
4. Place a screen perpendicularly in front of the vehicle so that there is a distance of 3 meters between the screen and the fog lamps.
5. Cover the fog lamp that is not being adjusted.



6. Turn on the fog lamps.
7. Turn up the mud guard.
8. Measure the center point of the fog lamp. Loosen the screw set for aiming adjustment and adjust the position of the fog lamp so that it is within the light/dark boundary line (cutoff line) as shown in the diagram. Then tighten the screw set.

Tightening torque

Screw set : 1.0 ~ 3.4N · m

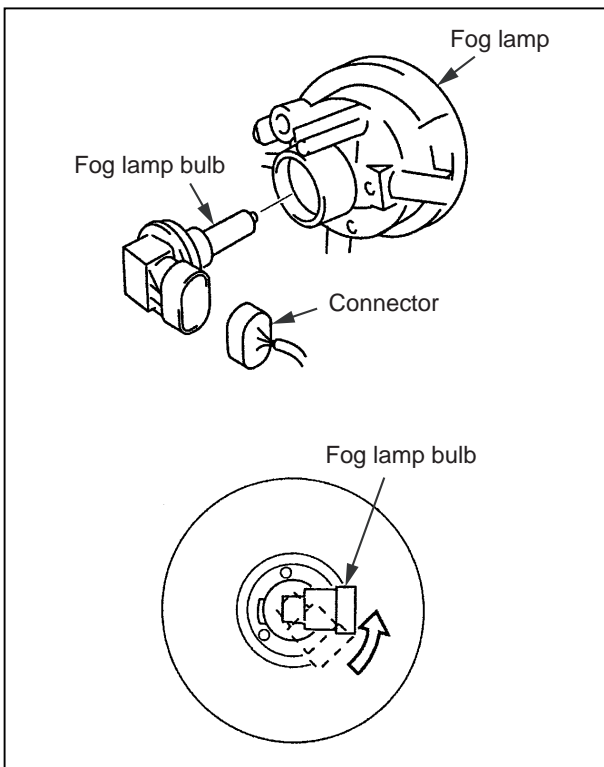


CAUTION

- If you fasten with those torques other than specified, the front air dam skirt might be broken or fallen off. Be careful to fasten accurately.

9

FOG LAMP BULB REPLACEMENT



WARNING

- Always be sure to use the properly-specified bulb. If an incorrect bulb is used, it may result in fire.



CAUTION

- Replacement of the bulbs should be carried out by a properly-qualified technician.
- Use the following bulbs as replacement fog lamp bulbs. Part No.: **99703 7550 [H11 12V55W]**
- When replacing a light bulb, do not touch the glass part of the light bulb. Otherwise, bulb life may be decreased.

1. Disconnect the negative terminal of the battery.
2. Turn up the mud guard.
3. Disconnect the connector from the fog lamp.
4. Rotate the fog lamp bulb in the direction of the arrow and remove it.
5. Install a new bulb by following the removal procedure in reverse.
6. Connect the connector to the fog lamp.

Installation Inspection Sheet

[To be used by installation workshop]

MAZDA 5	FOG LAMP INSTALLATION KIT
	CD83 V7 220F

Inspection items after installation

- Inspect the installed parts and removed and re-installed parts following the items below.

Section to be inspected	Inspection item (circle)					
	Gap / fit & finish	Scratch, stain, harness interference	Tightening & engagement	Function	Aiming adjustment	Operation check
Fog lamp (RH/LH)						
Fog lamp switch						
Front bumper						
Meter hood, Column cover						
Lamp bezel (RH/LH)						
Fog lamp indicator						
Power window						

Priority check point

No.	Item	Check
1	Check if the fog lamps work properly.	
2	Check if the connection of bolts / screws at the following site is properly. • Battery terminal	

【 Important points 】

Operation No.	Parts name	Specified torque	Torque value at the time of check	Inspector (name)
5 - 1 (Page 6)	Screw set	1.0 ~ 3.4 N•m	N•m	
5 - 1 (Page 6)	Screw	0.3 ~ 1.5 N•m	N•m	
5 - 3 (Page 6)	Tapping screw	0.3 ~ 1.5 N•m	N•m	

Fog lamp installation kit installation inspection

Date (year/month/day):					
VIN: No.					
Approved		Checked		Prepared	

Retention period of the sheet : 12 months