



TRAILER PARTS MANUAL
FOR PRO TWIN SLINGER

MODELS 8032, 8032HF, 8040

TABLE OF CONTENTS

Abbreviations	2
Using This Listing	3
Front End Parts.....	4-5
Front Drive Parts.....	6-9
Discharge Parts.....	10-11
Running Gear Parts (8032TR).....	12-13
Running Gear Parts (8032HF & 8040)	14-15
Rear Drive Parts	16-17
Light Kit	16
Auger & Splash Guard Parts	18-19
PTO Drivelines	20-25
Top Lid Parts.....	26-27
Bedder Spreader Parts.....	28
Decal & Paint List.....	29
Optional Kits	29
Flighting Terms & Dimensions.....	30
PTO Driveline Repair Instructions	31
Hardware Listing	32-33
Part Number Index	34-35

Catalog Part Number 005849 Unit Serial Number _____

Operator Instruction Manual for this unit: 005847

ABBREVIATIONS

Assy.....	Assembly
A/R.....	As Required
B.....	Bolt
Brg.....	Bearing
BSN.....	Before Serial Number
Btm.....	Bottom
C-Bolt.....	Carriage Bolt
Cttr.....	Cotter
CV.....	Constant Velocity
Deg.....	Degree
Dia.....	Diameter
ea.....	Each
eq or Equiv.....	Equivalent
Fln.....	Flanged Lock Nut
Fw.....	Flat Washer
Ga.....	Gauge
Gr or Grd.....	Grade
Hd.....	Head
Hyd.....	Hydraulic
ID.....	Inside Diameter
Ill or Illus.....	Illustration
Ind.....	Indicator
Kw.....	Keyway
LH.....	Left Hand
Ln.....	Lock Nut
Lw.....	Lock Washer
Mtg Hrd.....	Mounting Hardware
NC.....	National Coarse
NF.....	National Fine
NPT.....	National Pipe Thread
OD.....	Outside Diameter
Pc(s).....	Piece(s)
PD.....	Pitch Diameter
PTO.....	Power Takeoff (shaft)
Q or Qty.....	Quantity
Reg Mach.....	Regular Machine
RH.....	Right Hand
SN.....	Serial Number
Spk, or Spkt or Sprkt.....	Sprocket
Sq.....	Square
SS.....	Stainless Steel
SSB.....	Stainless Steel Bolt
St.....	Straight
Std.....	Standard
STS.....	Self Tapping Screw
UASN.....	Used After Serial Number
UBSN.....	Used Before Serial Number
W.....	With
W/O.....	With Out

USING THIS SERVICE PARTS LISTING

This listing uses a number indentation system to specify the parts of an assembly. Any number which is indented to the right, indicates that it is a component of the item to the upper left. Example:

<u>Part no</u>	<u>Qty</u>	<u>Description</u>
102-AAA	#	Assembly A
102-BBB	#	Sub-Assembly B
(Component of A)		
140-xxx	#	Sub-Component of B
140-xxx	#	Sub-Component of B
102-CCC	#	Sub-Assembly C
(Component of A)		
etc.		

Using this system, the subassemblies and their components are included if an Assembly is ordered. Similarly, the components of a subassemblies are included if a subassembly is ordered.

The quantity (Qty) associated with an assembly, represents the number of times an assembly could be shown in the drawing. The subassembly quantity however, is the number of times a subassembly is used to build one assembly. Similarly, the component quantity refers to the number of times a given component is found in one subassembly.

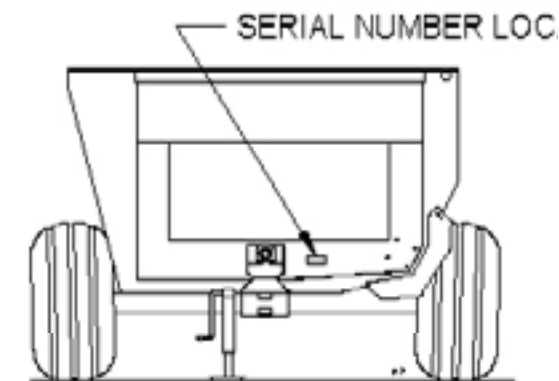


Fig. A

MODEL AND SERIAL NUMBER INFORMATION is located near the front left hand corner (Fig. A). The model number, serial number and part number should be known when asking service personnel for parts.

If you cannot find the part you need, be as descriptive as possible when placing an order:

Sprockets: give the bore size, number of teeth, and size of keyway.

Roller chain: give the size of chain (stamped on the side of each link) and number of links.

Shafting: give the diameter, length, and quantity and size of keyways.

Hardware is generally not included with parts. If you need any hardware, check the size, the length, and the grade (Fig. B), then check the hardware list in this manual for the part numbers.

All hex head bolts are grade 5, and nuts are grade B unless otherwise stated.

The hardware listing also includes listings for zerks, cotter pins, set screws, and roller chain links.

The illustrations in this manual are meant to be used only as a guide for identifying parts and locating their relative positions.

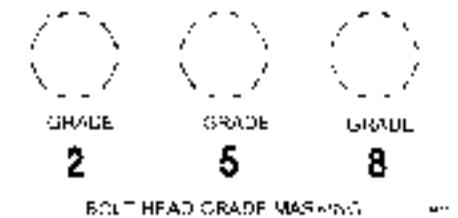


Fig. B

FRONT END PARTS

REF	PART NO	QTY	DESCRIPTION
1	174-676	1	Jack, sidewind 10,000 lb
2	174-838	1	Jack Mount Pin (includes "R" clip)
3	174-840	1	Crank Assembly
4	174-839	1	Jack Mount Tube (weld on)
5	102-047	1	Clevis Assy(bolt on);Mtg Hrd:(171-877) 3/4"x 2"B Grd8,(171-900)3/4"LN Grd8(4ea)
6	134-868	1	Tongue Clevis Mount 8032 ONLY (weld on)
	140-412	1	Tongue Clevis Mount 8040 ONLY (weld on)
7	135-604	1	Shield; PTO Cover
8	171-393	2	Washer, Belleville 3/8"
9	170-262	2	5/16" x 3/4" Bolt
10	170-028	2	Nut, Flange Lock 5/16"

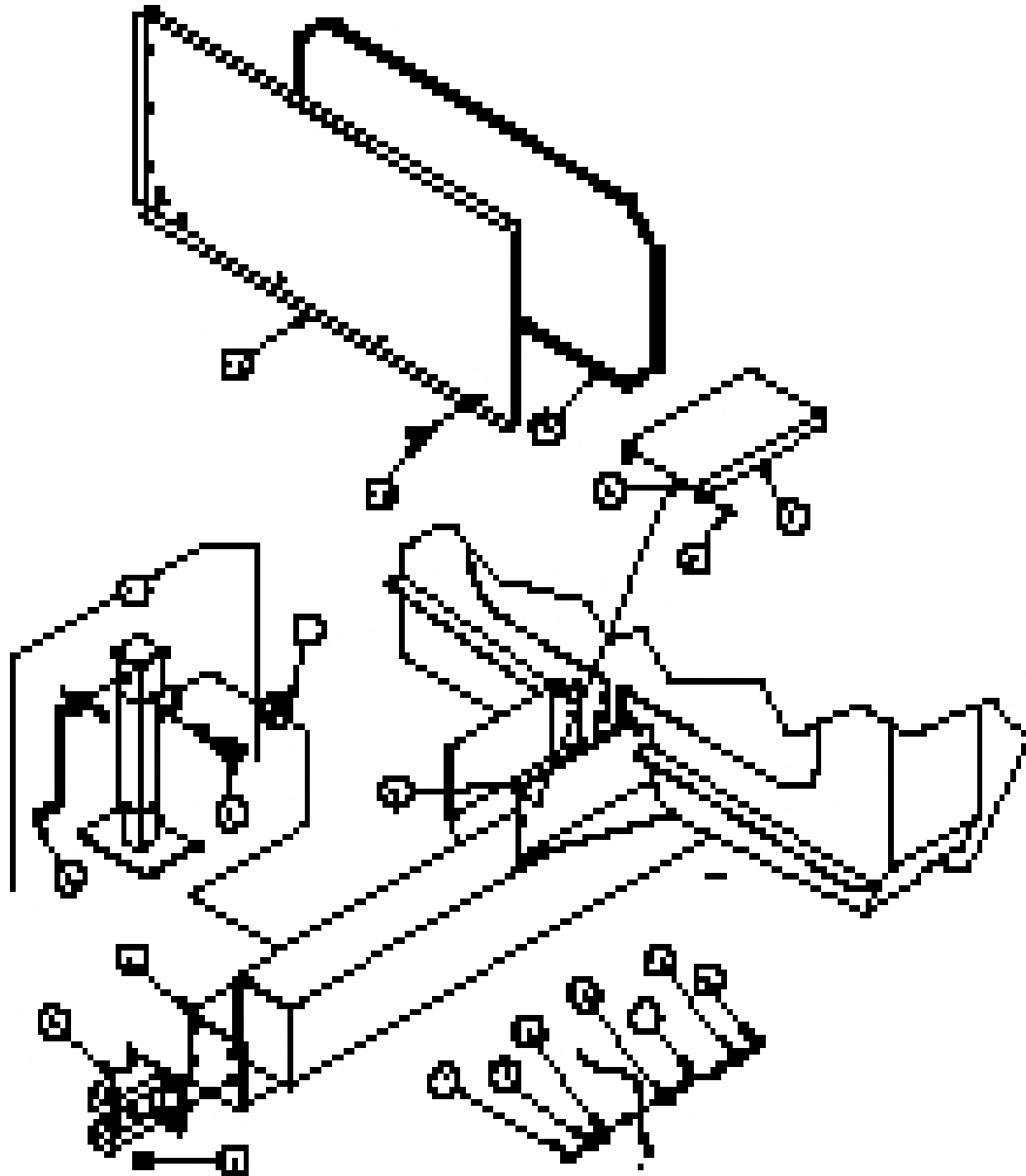
GREASE LINES

11	170-865	1*	Grease Zerk 1/8" NPT
12	172-024	1*	Coupling
13	172-822	2*	Compression Fitting
14	180-630**	17'	Grease Line Tubing(Total length required for all grease fittings)
		27"	Required for lower auger front bearing
		15"	Required for lower auger rear bearing
		14"	Required for upper auger front bearing
		42"	Required for upper auger rear bearing
		19"	Required for upper counter shaft front bearing
		19"	Required for upper counter shaft rear bearing
		23"	Required for lower counter shaft front bearing
		15"	Required for lower counter shaft rear bearing
		33"	Required for input shaft inner bearing
		21"	Required for hammer shaft front bearing
15	172-823***	1*	Adapter Fitting
16	170-244	1*	Flat Washer 3/8"
17	134-840	1	Front Shield
18	171-935	12*	Gasket
19	171-929	14	Wing Nut, 3/8"
20	140-848	1	Hitch-Saver Disc (Nylatron)

* Quantity required to complete 1 grease line assy

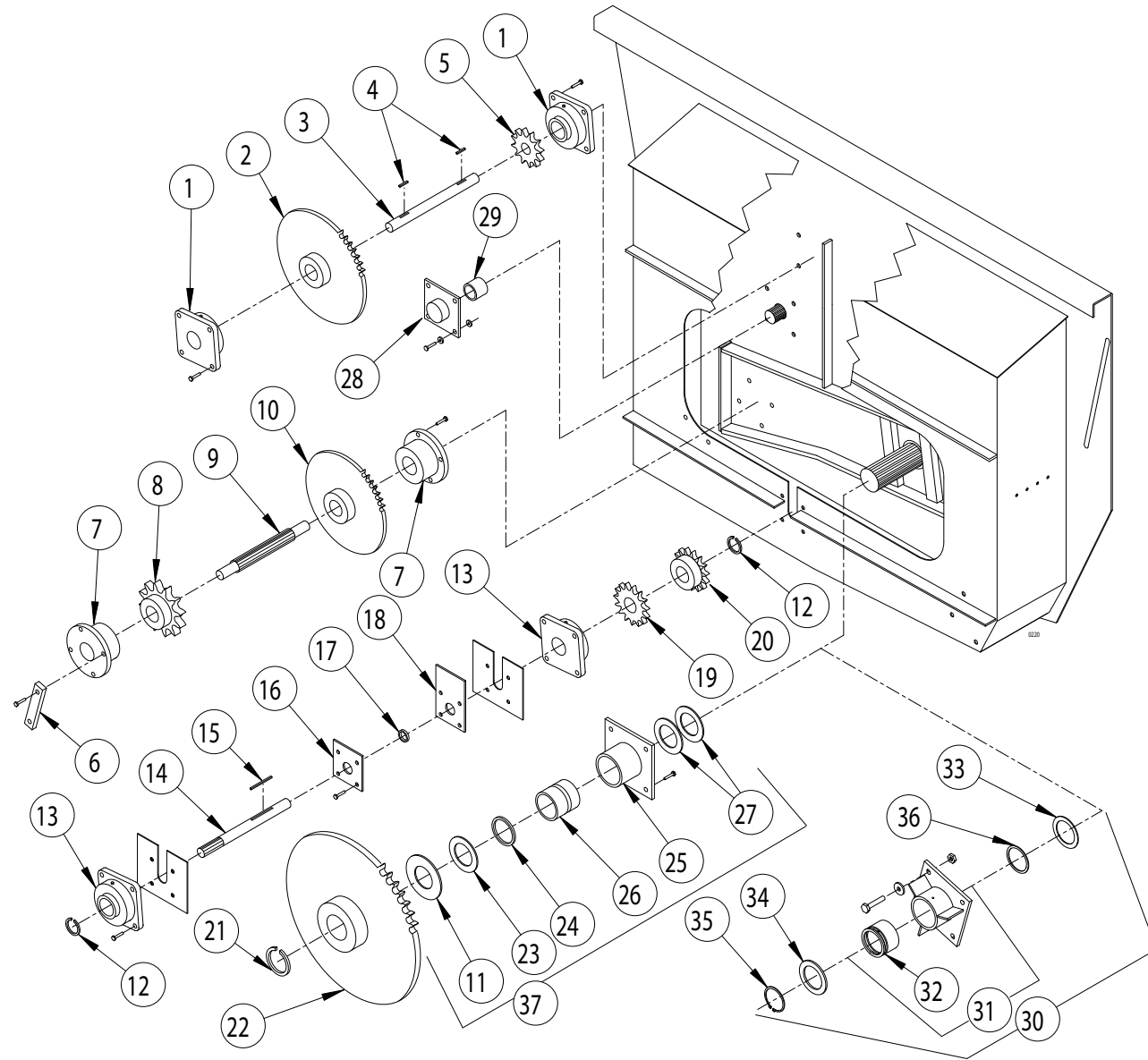
** Sold by the linear foot.

*** Not required on all installations.

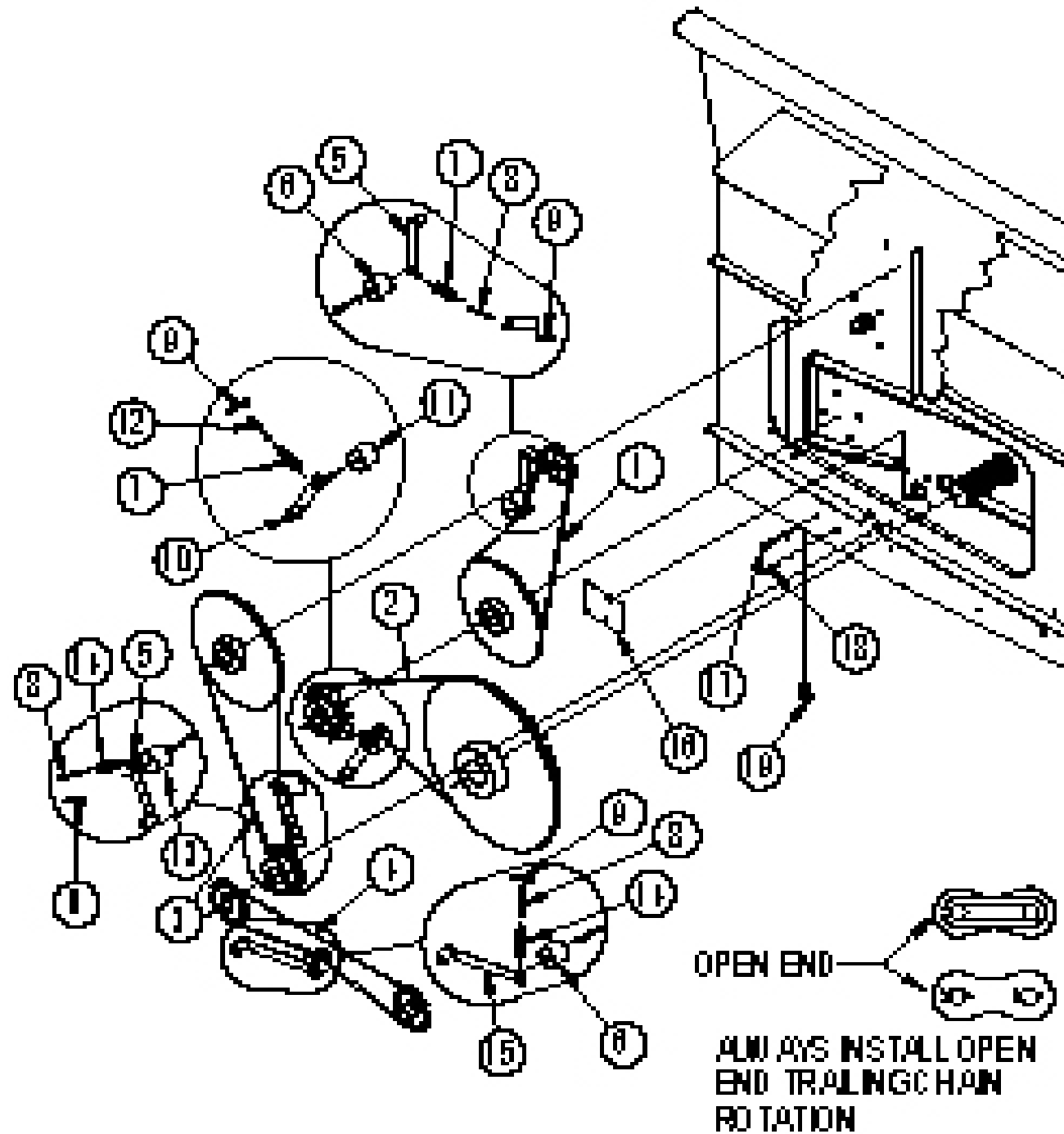


FRONT DRIVE PARTS

FRONT DRIVE PARTS

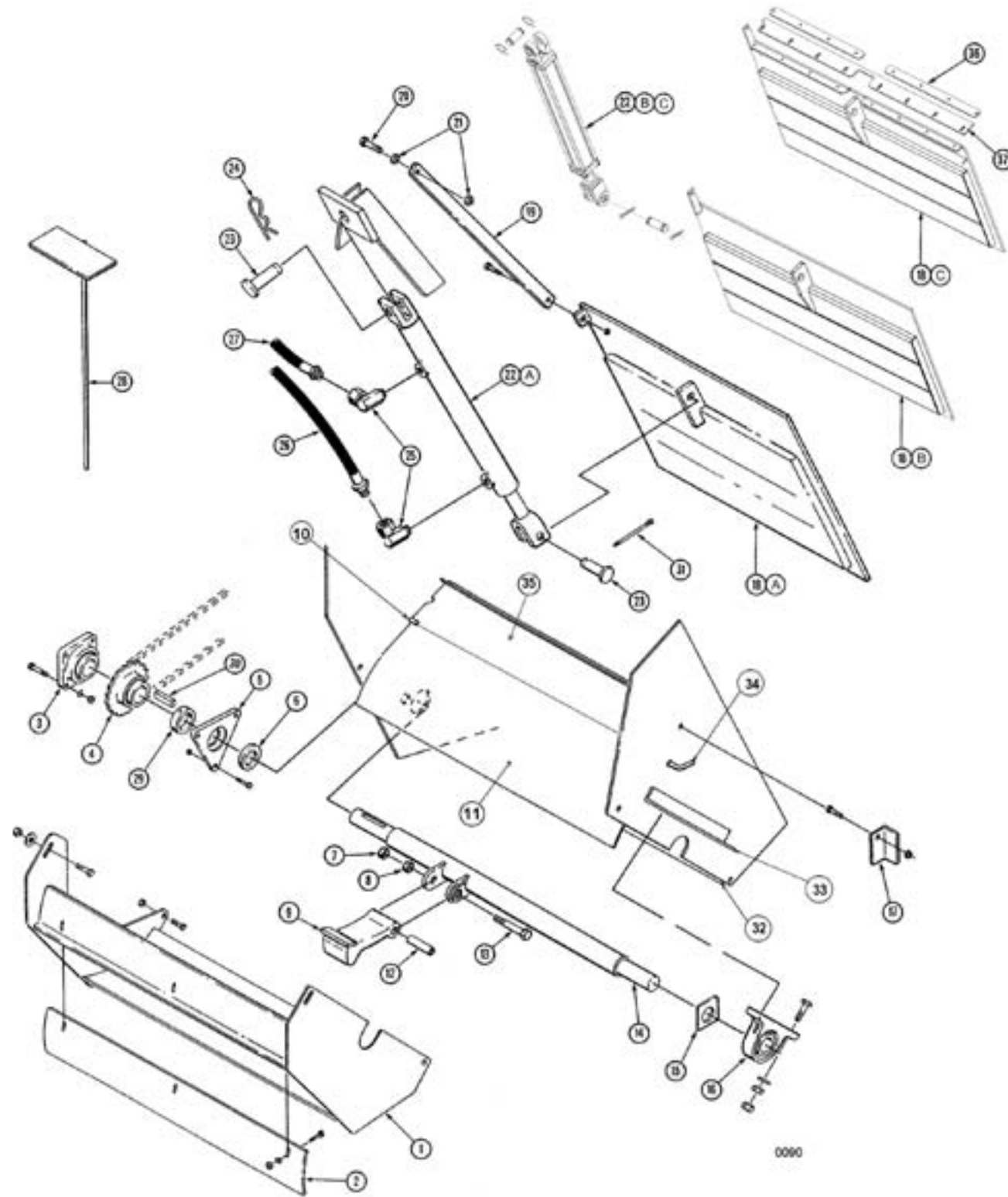


REF	PART NO	QTY	DESCRIPTION
1	170-008	2	Bearing, 2" Roller; Mtg Hrd: 5/8" x 1-3/4" Bolt, Lw, Nut (4 ea)
2	136-176	1	Sprocket; 60-B-90, 2" Bore - 1/2" Keyway
3	134-842	1	Counter Shaft; 2" x 12 1/2"
4	170-835	2	Key; 1/2" Sq. X 1-1/2"
5	134-787	1	Sprocket; 100-B-12, 2" Bore
6	134-883	1	Bearing Spacer
7	170-365	2	Bearing; 2-1/2" Double Roller, Mtg Hrd: (4) 5/8" x 2-1/2" Bolt, Lw, Nut (Outer Bearing) (4) 5/8" x 2" Bolt, Lw, Nut (Inner Bearing)
8	134-789	1	Sprocket; 140-B-11, 3" Splined
9	134-834	1	Counter Shaft; 3" x 11-5/8" Splined
10	134-788	1	Sprocket; 100-B-36, 3" Splined
11	140-425	1	Metal Washer; 4" ID x 5-9/16" OD x 1/4" Thk.
12	171-387	2	Snap Ring; 1-1/2" External
13	172-288	2	Bearing; 1-1/2" Eccentric Lock Mtg Hrd: (4) 1/2" x 1-3/4" Bolt, Lw, Nut (Outer Bearing) (4) 1/2" x 2" Bolt, Lw, Nut (Inner Bearing)
14	134-780	1	Input Shaft; 1-1/2" x 15.15/16" Splined
15	170-052	1	Key; 3/8" Sq. X 2-1/8"
16	134-906	1	Seal Retainer Plate
17	172-355	1	Seal, Lip, 1-1/2" C/R. #14864
18	134-898	1	Shaft Spacer Plate
19	136-177	1	Sprocket; 80-B-15, 1-1/2" Bore - 3/8" Keyway
20	136-175	1	Sprocket; 60-B-23, 1-1/2" Bore - 3/8" Keyway
21	171-989	1	Snap Ring; 4" External (Tru-Arc, 5100-400)
22	134-790	1	Sprocket; 140-B-45, 4" Splined
23	140-424	1	Nylon Thrust Washer; 4" ID x 5-1/2" OD x 1/8" Thk
24	172-913	1	Quadring Seal; 4" ID
25	102-259	1	Bearing; 4", Mtg Hrd: (4) 7/8" x 3" Bolt, Lw, Nut
26	135-692	1	Bearing Sleeve; 4 3/4" x 3/8" Wall x 5 1/8"
27	135-697	2	Plastic Thrust Washer; 4" ID
28	102-212	1	Bearing; 2" Mtg Hrd: 5/8" x 1 1/4" Bolt, Fw, Ln (4 ea)
29	135-614	1	Bearing Sleeve; 2" ID x 2-1/2" OD x 2" Lg.
30	70300066	1	Kit, sealed 4" thrust Bearing
31	104-292	1	Bearing Assembly
32	143-092	1	Tube, 4-3/4" x 4"
33	143-094	1	Plastic Washer
34	143-096	1	Nylatron Washer
35	171-989	1	Snap Ring
36	175-553	1	V-Ring Seal
37	300-066	1	Kit, Sealed 4.00 Thrust BRG.



FRONT DRIVE PARTS

REF	PART NO	QTY	DESCRIPTION
1	172-485	1	Roller Chain; 100-1-76 Pitch, W/Connector Link
2	172-489	1	Roller Chain; 140-1-66 Pitch, W/Connector Link
3	173-080	1	Roller Chain; 60-1-148 Pitch, W/Connector Link
4	172-283	1	Roller Chain; 80-1-85 Pitch, W/Connector Link & Half Link
5	101-911	2	Chain Tightener Arm
6	134-155	2	Poly Tightener Block, 3" OD x 2 1/2" Mtg Hrd: 1/2" x 2 3/4" Bolt, Fw, Lw, Nut
7	172-751	2	Spring; 8 1/4" LG x 1 1/2" OD
8	170-845	3	Machine Chain; #4 x 17 Links
9	170-800	4	Clinch Pin
10	102-069	1	Chain Tightener Arm
11	134-919	1	Poly Tightener Block; 3" OD x 2 7/8" Mtg Hrd: 1/2" Fw, Lw, Nut
12	171-045	1	Machine Chain; #4 x 22 Links
13	134-086	1	Poly Tightener Block; 3" OD x 3" Mtg Hrd: 1/2" x 4" Bolt, Fw, Lw, Nut
14	172-005	2	Spring; 6" LG x 1" OD
15	101-761	1	Chain Tightener Arm
16	134-908	1	Cover Plate; Mtg Hrd: (4) 1/2" x 1" Bolt, Lw, Nut
17	171-252	1	Bolt, 1/2" x 1" and 172-884 Plastic Washer
18	170-149	4	Bolt; 1/2" x 1", Lw, Nut (used as plug)
19	171-919	1	Drain Plug, 1 1/4" PVC



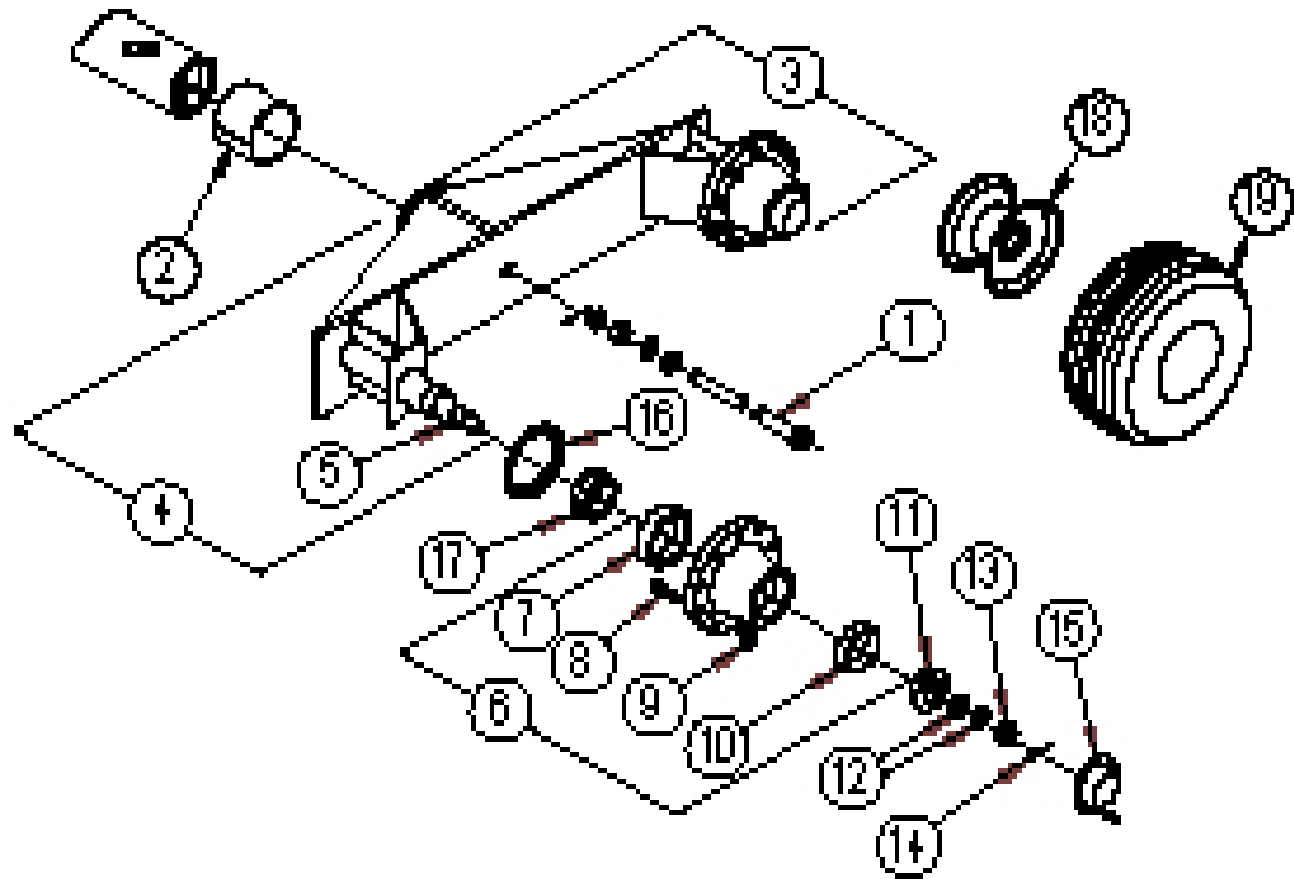
DISCHARGE PARTS

REF	PART NO	QTY	DESCRIPTION
1	102-059	1	Discharge Shroud Assy; Mtg Hrd 3/8" x 1" Bolt, & LN (4 ea) 3/8" Machine Washer (2 ea) (upper shroud mt. only)
2	134-666	1	Shroud Visor; Mtg Hrd 5/16" x 1" FW, LW & Nut
3	170-008	1	Bearing; 2" Flanged; Mtg Hrd 5/8" x 1 3/4" LW & Nut (4 ea)
4	136-178	1	Sprocket; 80-B-18, 2" Bore 1/2" Keyway
5	134-831	1	Seal Retainer Plate; Mtg Hrd: 5/16" x 1" FLN (3 ea)
6	133-277	1	Seal, 2 1/2" ID Plastic
7	170-031	14	Lock Nut; 5/8" (Grade 5)
8	170-037	14	Jam Nut; 5/8" (Grade 5)
	172-866	1	Jam Lock Nut; 5/8" (Grade 5)(rear hammer only)
9	175-035	15	Hammer
10	133-637	1	Cover Hinge; 3/8" x 2", Weld On
11	134-846	1	Top Door Frame; Weld On
12	172-422	15	Bushing; Straight Nylon
13	172-421	14	Bolt; 5/8" x 5 1/2" Bolt (Grade 5)
	142-003	1	Bolt; 5/8" x 5 1/2" Bolt (Grade 5) (rear hammer only)
14	101-988	1	Hammer Shaft Assy
15	134-875	1	Plastic Shaft Seal; 1/8" x 4" x 5"
16	171-586	1	Pillow Block Bearing 2"; Mtg Hrd; 5/8" x 2 1/2" (172-381) B, FW, JN & LN (2 ea.)
17	134-874	1	Lock Angle; Mtg Hrd: 5/16" x 1" Bolt, Fw, & Nut
18	103-899 ^C	1	Discharge Door Assy
	105-572 ^B	1	Discharge Door Assy
	102-061 ^A	1	Discharge Door Assy
19	134-878	1	Door Height Indicator Bar; Mtg Hrd: 5/16" x 3/4" Bolt & Lock Nut
20	170-885	1	Bolt; 1/2" x 2 1/2"
21	170-004	2	Nut; 1/2"
22	173-220 ^{B,C}	1	Hydraulic Cylinder; 2" x 18" Stroke (Seal Kit # 170-075)
	172-752 ^A	1	Hydraulic Cylinder; 2" x 18" Stroke (Seal Kit # 170-075)
23	170-073	2	Clevis Pin; 1" x 2 1/2"
24	170-074	1	Hair Pin Clip; 3" Long, 5/32" Wire Dia.
25	171-030	2	Adapter; 3/8" x 90 Degree
26	171-464	1	Hydraulic Hose; 1/4" x 190" OAL (Lower)
27	170-471	1	Hydraulic Hose; 1/4" x 170" OAL (Upper)
28	101-636	1	Clean Out Tool
29	172-772	1	Lock Collar, 2"
30	170-835	1	Key; 1/2" x 1/2" x 1 1/2"
31	170-115	1	Cotter Pin; 3/16" x 2"
32	134-649	1	Mount; Bottom 5/16 x 14 1/32 x 38 5/8, Weld On
33	133-288	1	Bearing Mount; RH, Weld On
34	134-636	1	Clean Out Handle
35	134-899	1	Clean Out Door; Weld On
36	144-741 ^C	2	Retainer; Mtg Hrd; 5/16" x 1-1/4" Bolt, Fln (6 ea)
37	144-736 ^C	1	Plastic Seal

A: Use for 8032 serial numbers 445 and before and 447-457. Use for 8040 serial numbers 308 and before.
 B: Use for 8032 serial numbers 446, 458-584, and A0001-A0045. Use for 8040 serial numbers 309-404, and A0001-A0015.
 C: Use for 8032 serial numbers A0046 and after. Use for 8040 serial numbers A0016 and after.

* Use AWS E10018 Electrode or Greater When Welding Replacement Tips (Order Welding Rod Kit 300-030)

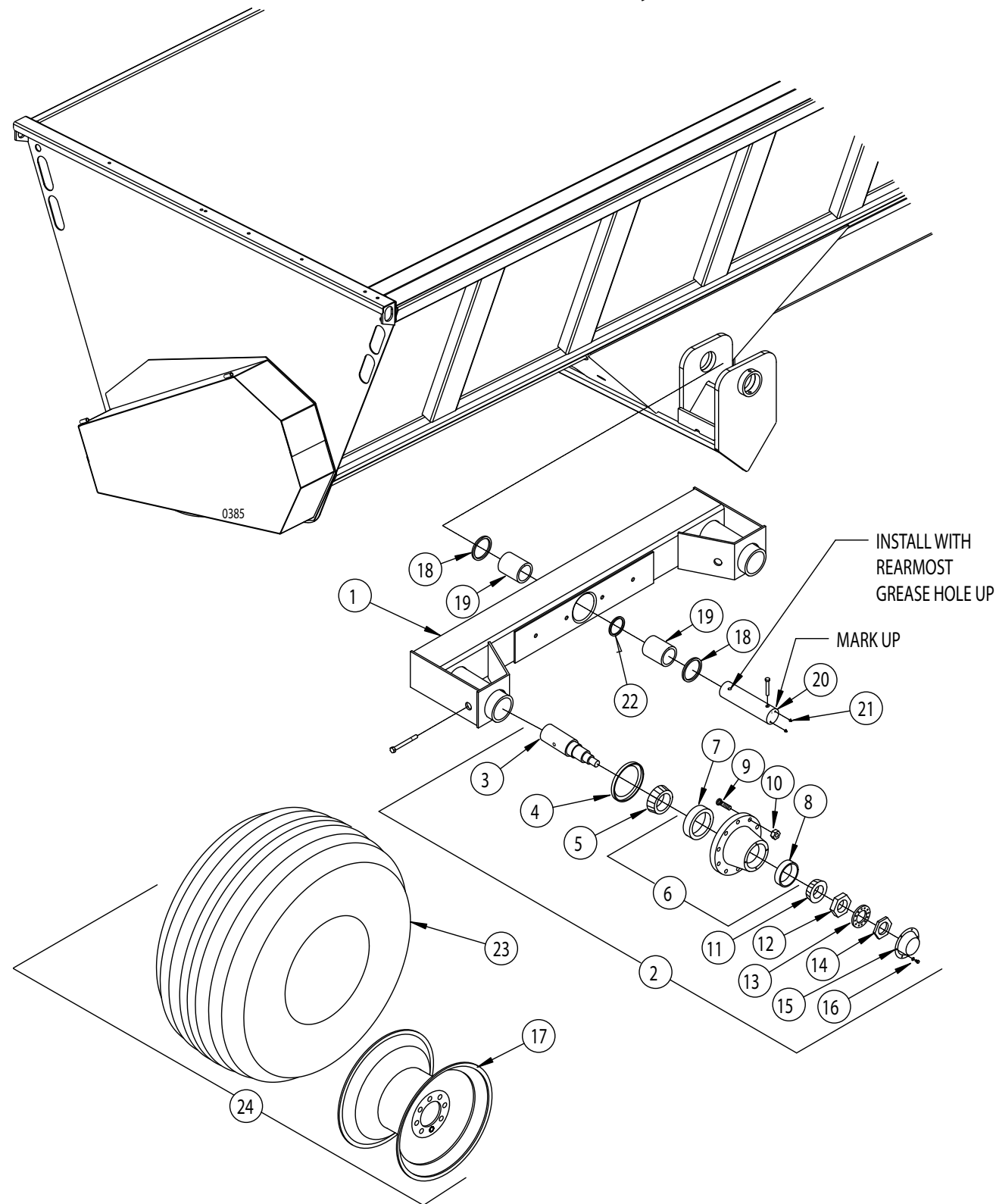
8032 Only



RUNNING GEAR PARTS

REF PART NO	QTY	DESCRIPTION
1 102-046	1	Tie Rod Assembly Mtg Hrd: 3/4" Nut, Jam Nut, (170-236) Cotter Pin (1 ea) & Fw (2)
2 134-843	1	Bushing; Bogie Pivot
3 102-048	1	RH Bogie Assembly
4 102-066	1	RH Bogie Weldment
170-865	1	Grease Zerk 1/8" NPT
5 134-824	2	Spindle; 3 3/8" x 17-3/4"
6 172-396	2	10-Bolt Hub
7 172-361	1	Inside Bearing Race; 4 5/8" Timken #33462
8 170-919	10	Wheel Stud; 3/4"
9 170-920	10	Wheel Nut; 3/4"
10 170-922	1	Outside Bearing Race; 4 1/4" Timken# 453
11 170-921	2	Outside Bearing Cone; 1 3/4" Timken# 460
12 170-928	4	Spindle Washer
13 170-927	2	Castle Nut; 1 1/4"
14 170-056	2	Cotter Pin; 1/4" X 2"
15 170-926	2	Dust Cap; Mtg Hrd: (4) 5/16" x 3/4" Screw
16 172-362	2	Grease Seal, C/R 33772
17 172-360	2	Inside Bearing Cone; 2 3/4" Timken #33275
3 102-049	1	LH Bogie Assembly
4 102-065	1	LH Bogie Weldment
170-865	1	Grease Zerk 1/8" NPT
5 134-824	2	Spindle; 3 3/8" x 17 3/4"
6 172-396	2	10-Bolt Hub
7 172-361	1	Inside Bearing Race; 4 5/8" Timken #33462
8 170-919	10	Wheel Stud; 3/4"
9 170-920	10	Wheel Nut; 3/4"
10 170-922	1	Outside Bearing Race; 4 1/4" Timken# 453
11 170-921	2	Outside Bearing Cone; 1 3/4" Timken# 460
12 170-928	4	Spindle Washer
13 170-927	2	Castle Nut; 1 1/4"
14 170-056	2	Cotter Pin; 1/4" x 2"
15 170-926	2	Dust Cap; Mtg Hrd: (4) 5/16" x 3/4" Screw
16 172-362	2	Grease Seal, C/R 33772
17 172-360	2	Inside Bearing Cone; 2 3/4" Timken #33275 .
18 172-481	4	Wheel; 16.1" x 18C, 10-Hole, 0 offset
172-312	4	Wheel; 22.5" x 13.5", 10-Hole, 0 offset
19 172-482	4	Tire, 21.5" x 16.1" x Implement, New
172-313	4	Tire 18 x 22.5" Truck Recap w/Imp. Tread

8032HF & 8040 Only

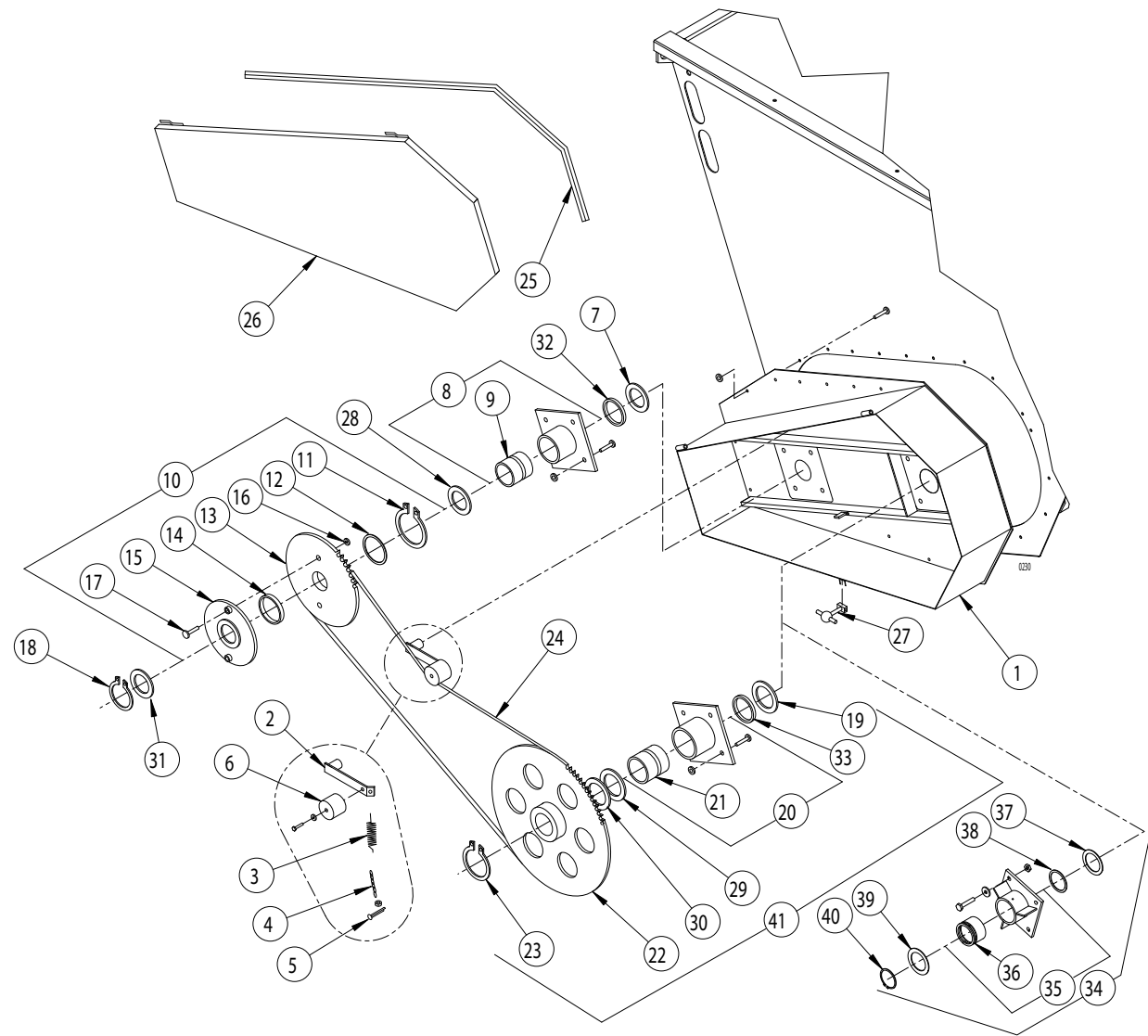


RUNNING GEAR PARTS

REF PART NO	QTY	DESCRIPTION
1 103-611	2	Bogie Weldment
2 103-630	4	Hub & Spindle Assembly
3 140-434	1	Spindle; Round, 4 1/2" x 22 1/4"; Mtg Hrd: 5/8" x 6 1/2" B, LN
4 173-006	1	Seal; Lip, 4 7/16" x 6" x 1/2"; Transcom #44605 SA
5 173-001	1	Bearing; Cone, 3 9/16" Timken HM218248
6 172-999	1	Hub; Wheel, 10 Bolt w/Bearing Races 11 1/4" BC (Includes 170-023 Zerk)
7 173-031	1	Bearing; Race, Inside, 5.7864 Timken# HM218210
8 173-032	1	Bearing ;Race, Outside, 4.8125 Timken# HM212011
9 174-784	10	Stud; Wheel, 3/4" NF RH THD
10 170-920	10	Nut; Wheel, 3/4" NF RH THD
11 173-002	1	Bearing; Cone, 2 5/8" Timken HM212049
12 173-003	1	Nut; Spindle, Inner W/Stud DANA M10HM101 (M682)
13 173-004	1	Washer; Lock DANA M10HM100 (M683)
14 173-005	1	Nut; Spindle, Outer DANA M10HN102 (M684)
15 173-007	1	Hub Cap
16 170-262	6	Screw; Hex Hd, 5/16" x 3/4" NCGR5
17 173-158	4	Wheel; DW20A-26, 10-Hole, 0 offset (High Flotation)
174-677	4	Wheel; 26.00 x DW25A, 10-Hole, 0 offset (High Flotation)
18 140-435	4	Thrust Washer; 4 3/4" x 6-1/2" x 1/8" Thk.
19 140-436	4	Bushing; Nylon, 4 3/4" OD x 3/8" x 4 3/16"
20 146-376	2	Pivot Pin; Bolt, 174-944 Grade 8, Lock nut 171-671 Grade 8
21 170-865	4	Grease Zerk; 1/8" NPT
22 141-121 ^A	2	Spacer Ring
23 174-528	4	Tire; 23.1 x 26, Turf Tread
174-678	4	Tire; 28L x 26, Diamond Tread
24 140-813	2	Tire & Wheel Assembly 23.1x26
105-753	2	Tire & Wheel Assembly 28Lx26

A: Use after Serial Number 8032-276, and 8040-183. If replacing bushings in previous units, Spacer ring will also be needed.

REAR DRIVE PARTS



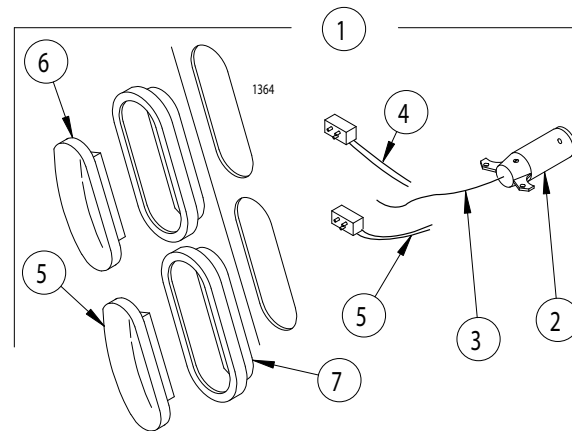
REAR DRIVE PARTS

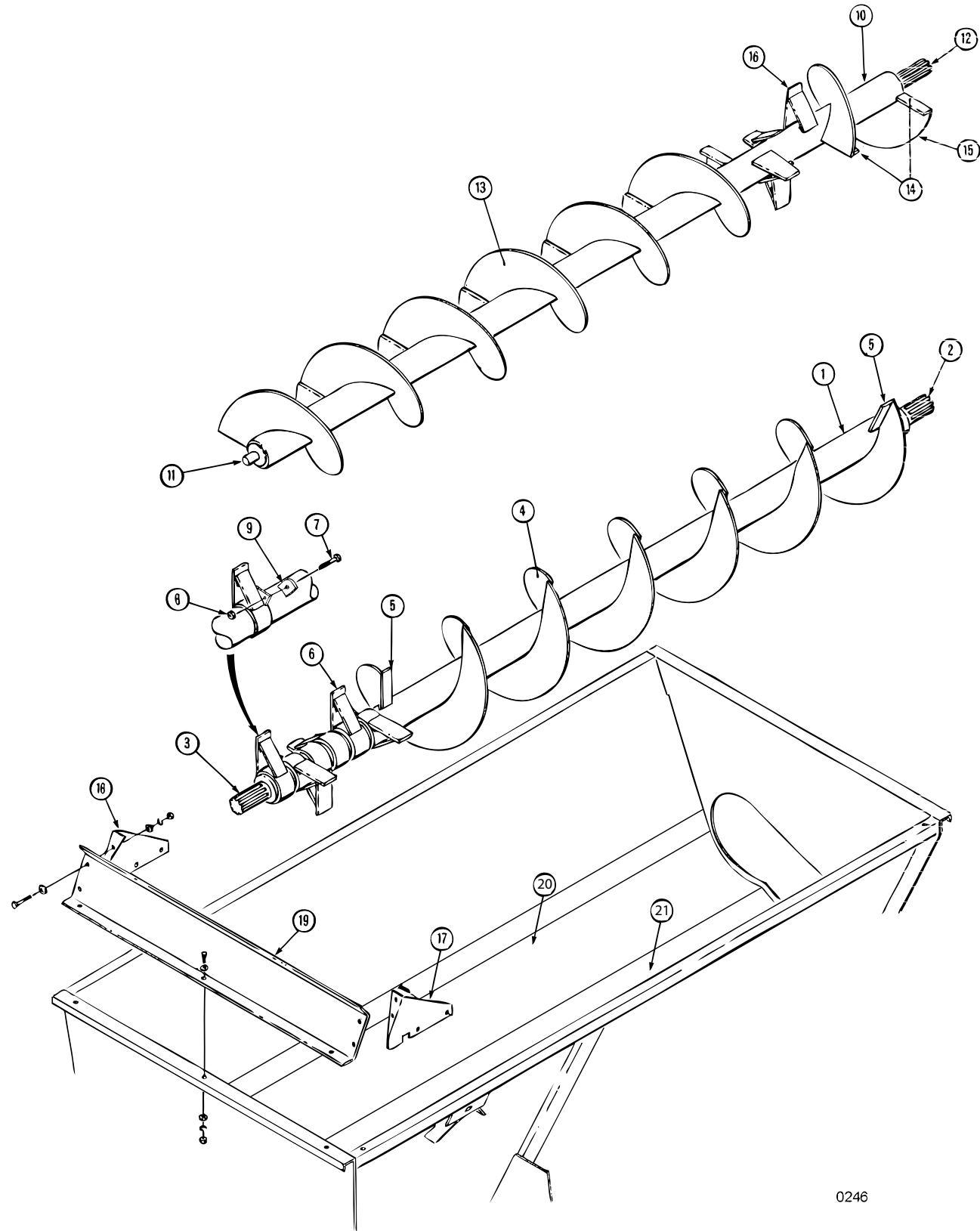
REF	PART NO	QTY	DESCRIPTION
1	103-601	1	Rear Drive Enclosure; Mtg Hrd: 3/8" x 1" Bolt, LW, & Nut (21 ea)
2	101-911	1	Chain Tightener Arm
3	172-751	1	Spring; 1 1/2" OD x 8 1/4"
4	170-845	1	Machine Chain; #4 x 17 Links, 7/16" FW
5	170-800	1	Clinch Pin; 1 1/2" Long
6	134-086	1	Tightener Block; 3" x 3", Mtg Hrd: 1/2" x 4" Bolt, FW, LW, & Nut
7	133-899	1	Washer; Plastic, 3" ID, 4 1/2" OD x 1/4" Thk.
8	102-214	1	Bearing Assembly; 3" ID; Mtg Hrd: 5/8" x 1 1/2" Bolt, LW, & Nut (4 ea)
9	135-612	1	Bearing Sleeve, 3" ID x 3-3/4" OD x 3-5/8" Lg.
10	103-618	1	Shear Sprocket Assembly, 120-B-27 - 3" Bore
11	171-989	1	Snap Ring, 4" External, Waldes 5100 Series
12	134-892	1	Retainer Plate
13	103-619	1	Shear Sprocket Weldment, 120-A-27
	141-694	2	Shear Sleeve
14	134-481	1	Bushing; Straight 4" ID x 4 1/2" OD
15	103-620	1	Shear Sprocket; Hub Weldment
	141-693	2	Shear Sleeve
16	170-258	2	Shear Bolt; 5/8" x 3" grade 5 (4 Spare Bolts Inside Rear Drive Enclosure)
17	170-031	2	Lock Nut; 5/8" grade 5 (4 Spare Nuts Inside Rear Drive Enclosure)
18	171-934	1	Snap Ring; 3" External, Waldes 5100 Series
19	135-598	2	Washer, Plastic, 3 1/2" ID, 5" OD
20	102-249	1	Bearing; Assembly, 3 1/2" ID; Mtg Hrd: 5/8" x 1 1/2" Bolt, LW, & Nut (4 ea)
21	135-662	1	Bearing Sleeve, 3-1/2" ID x 4-1/4" OD x 3-7/8" Lg.
22	134-792	1	Sprocket; 120-B-48 3 1/2" Splined Bore
23	171-607	1	Snap Ring; 3 1/2" External, Waldes 5100 Series
24	171-764	1	Roller Chain; 120-1-76 Pitch, W/Connector Link
25	171-935	6*	Foam Seal
26	103-629	1	Rear Drive Enclosure Cover
27	170-950	1	Rubber Latch; Mtg Hrd: 171-137 Pin, 170-992 Cotter Pin
28	136-285	1	Washer; Nylon, 3" ID, 4 1/4" OD 1/8" Thick
29	140-426	1	Washer; Steel, 3 1/2" ID, 5-1/16" OD 1/4" Thick
30	136-286	1	Washer; Nylon, 3 1/2" ID, 5" OD 1/8" Thick
31	136-040	A/R	Washer; Steel, 3 1/2" ID, 4 1/4" OD 10GA Thick
32	172-873	1	Quadring Seal; 3" ID
33	172-874	1	Quadring Seal; 3 1/2" ID
34	300-067	1	Kit, 3-1/2" Thrust Bearing
35	104-300	1	Bearing
36	143-122	1	Tube, 4-1/4" x 3-1/2"
37	135-598	2	Plastic Washers
38	172-874	1	Quadring Seal
39	143-205	1	Nylatron Washer
40	171-607	1	Snap Ring
41	300-067	1	Kit, 3.50 Thrust Bearing

* Sold by the linear foot.

LIGHT KIT PARTS

1	174-675	1	Light Kit
2	172-110	1	7 Pin Connector (SAE J560B)
3	174-775	1	Main Harness
4	176-848	1	LH Light Harness
5	177-480	1	RH Light Harness
6	174-674	2	Light, Red Oval
7	174-673	2	Light, Amber Oval
8	174-725	4	Grommet





0246

AUGER & SPLASH GUARD PARTS

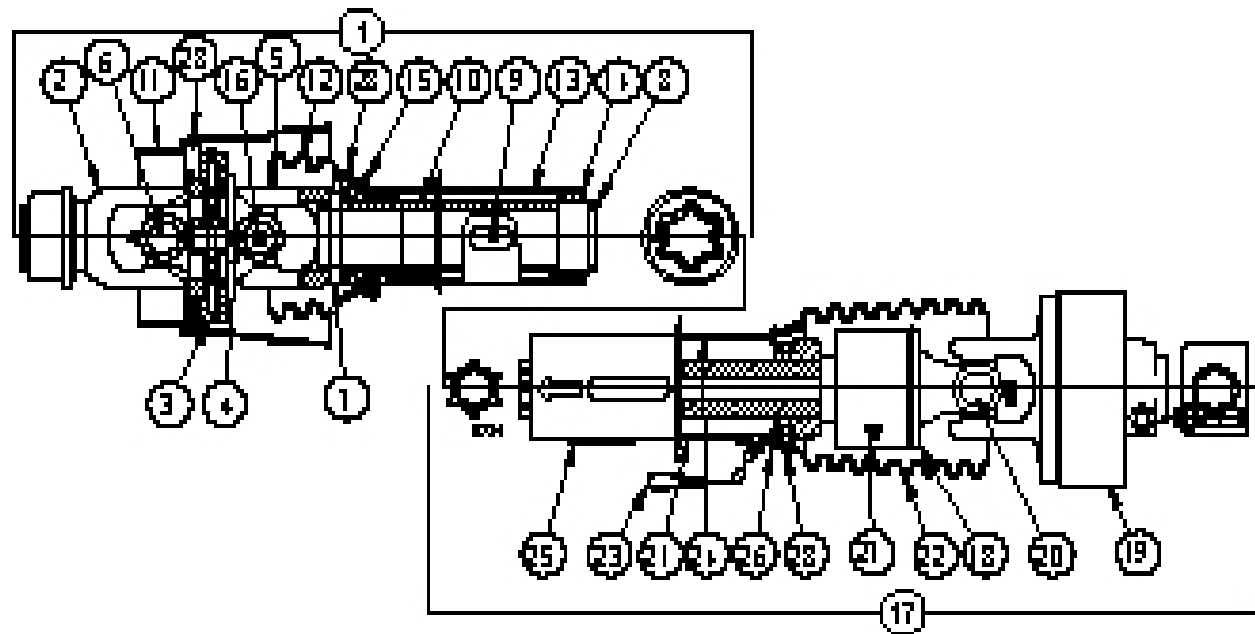
REF	PART NO	QTY	DESCRIPTION
1	103-638	1	Left Auger Assembly (8032)
	103-605	1	Left Auger Assembly (8040)
2	103-617	1	Rear Plug Assembly
3	103-616	1	Front Plug Assembly
4	140-417	7	Flighting; (8032) 3/8" x 24" x 8.65"ID x 24" L.H. (6.5 sections req'd)
	140-417	9	Flighting; (8040) 3/8" x 24" x 8.65"ID x 24" L.H. (8.5 sections req'd)
5	135-971	4	Flighting Brace, 1/2" x 2" x 7"
6	103-651	6	Paddle Assembly
7	171-802	6	Shear Bolt; 1/2" x 2" Grade 5
8	170-042	6	Shear Nut; 1/2" lock
9	140-420	6	Paddle Mount Lug
10	103-639	1	Right Auger Assembly (8032)
	103-604	1	Right Auger Assembly (8040)
11	103-614	1	Front Plug Assembly
12	103-615	1	Rear Plug Assembly
13	140-418	7	Flighting; (8032) 3/8" x 24" x 8.65"ID x 24" R.H. (6.5 sections req'd)
	140-418	8	Flighting; (8040) 3/8" x 24" x 8.65"ID x 24" R.H. (8.0 sections req'd)
14	135-971	6	Flighting Brace; 1/2" x 2" x 7"
15	140-417	1	Flighting; 3/8" x 24" x 8.65" ID x 24" L.H.
16	102-060	4	Paddle Assembly
17	136-717	1	Splash Guard; (LH FT & RH RR) Mtg Hrd: 174-874 Screw, 170-301 FW (2 ea)
18	136-716	1	Splash Guard; (RH FT & LH RR) Mtg Hrd: 174-874 Screw, 170-301 FW (2 ea)
19	134-861	1	Splash Guard; End (FT & RR) Mtg Hrd: 5/16" x 1"B, FW, LW, Nut (7 ea)
20	136-714	A/R	Right hopper repair section 48" (weld on)
21	136-715	A/R	Left hopper repair section 48" (weld on)

PTO DRIVELINE (internal spline shaft) & TORQUE DISCONNECT

(1000 RPM - 21 SPLINE / 1-3/8" YOKE)

PTO parts are used on units, Serial Number (8032-283 1000 RPM), (8040-193 1000 RPM) and after.)

REF	PART NUMBER	QTY	DESCRIPTION
	174-876	1	PTO Half Assy; W2480, 1000 RPM
1	174-971	1	Front Half Assy; Outer Profile, CV W/ Guard 1 3/8 - 21 Spline
2	172-203	1	Yoke 1 3/8 - 21 Spline
	172-028	1	Lock Collar Repair Kit
3	172-202	1	Double Yoke
4	172-208	1	Zerk
5	174-953	1	InBoard Yoke
6	172-204	1	Cross and Bearing Kit
7	171-983	1	Spring Pin, 10 x 80
8	174-954	1	Outer Profile & Sleeve
9	172-209	1	Zerk
10	171-799	1	Decal
11	172-205	1	CV Cone & Bearing Assy.
12	172-206	1	Shield Cone 3 Rib
13	174-958	1	Inner Shield
14	172-207	1	Support Bearing
15	171-979	1	Bearing Ring
16	174-960	1	Cross & Bearing Kit
17	174-970	1	Rear Half Assy, Cut-Out Clutch W/ Guard
18	174-955	1	Overrunning Clutch & Inner Profile Assy
	174-978	1	PTO Inner Profile
19	174-956	1	Cut-Out Clutch
	174-966	1	Lock Bolt; (Must be torqued to 75 Ft. Lbs.)
20	171-980	1	Cross & Bearing Kit
21	174-957	1	Outer Shield
22	174-959	1	Shield Cone 8 Rib
23	172-040	1	Safety Chain
24	171-550	1	Decal
25	172-227	1	Decal-Lubrication
26	171-979	1	Bearing Ring
27	172-208	1	Zerk
28	172-210	8	Screw (total quantity for complete assembly)

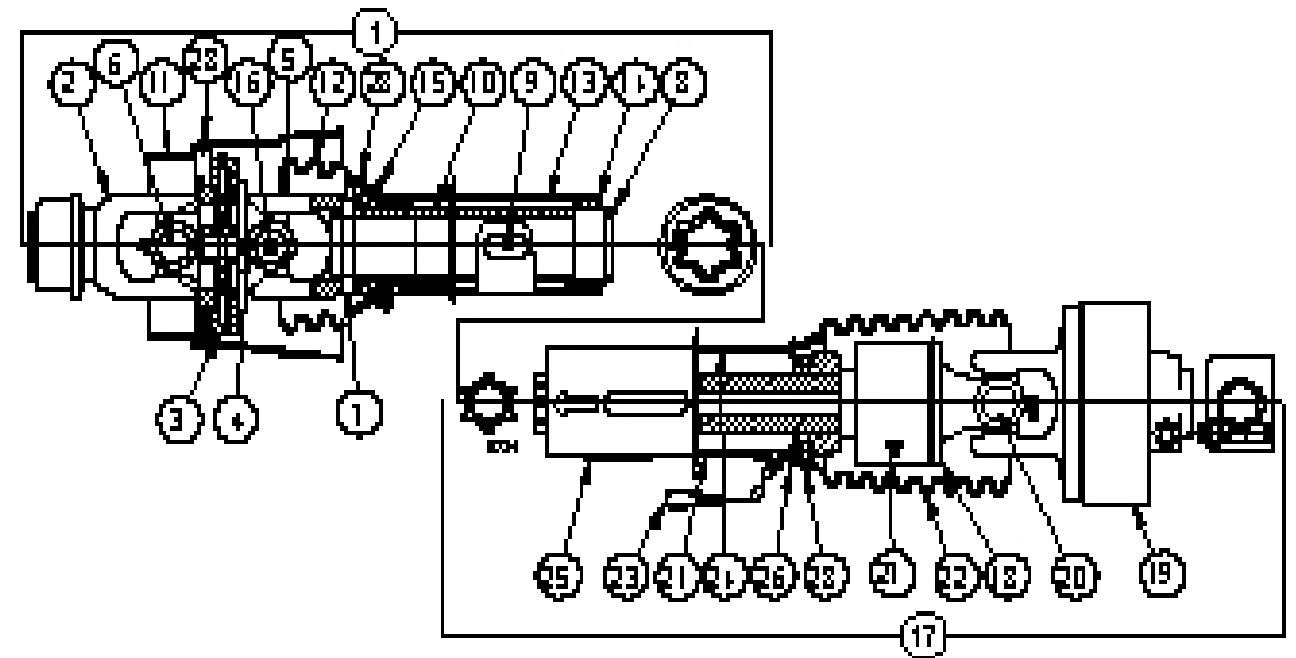


PTO DRIVELINE (internal spline shaft) & TORQUE DISCONNECT

(1000 RPM - 20 SPLINE / 1-3/4" YOKE)

PTO parts are used on units, Serial Number (8032-372 1000 RPM), (8040-269 1000 RPM) and after.)

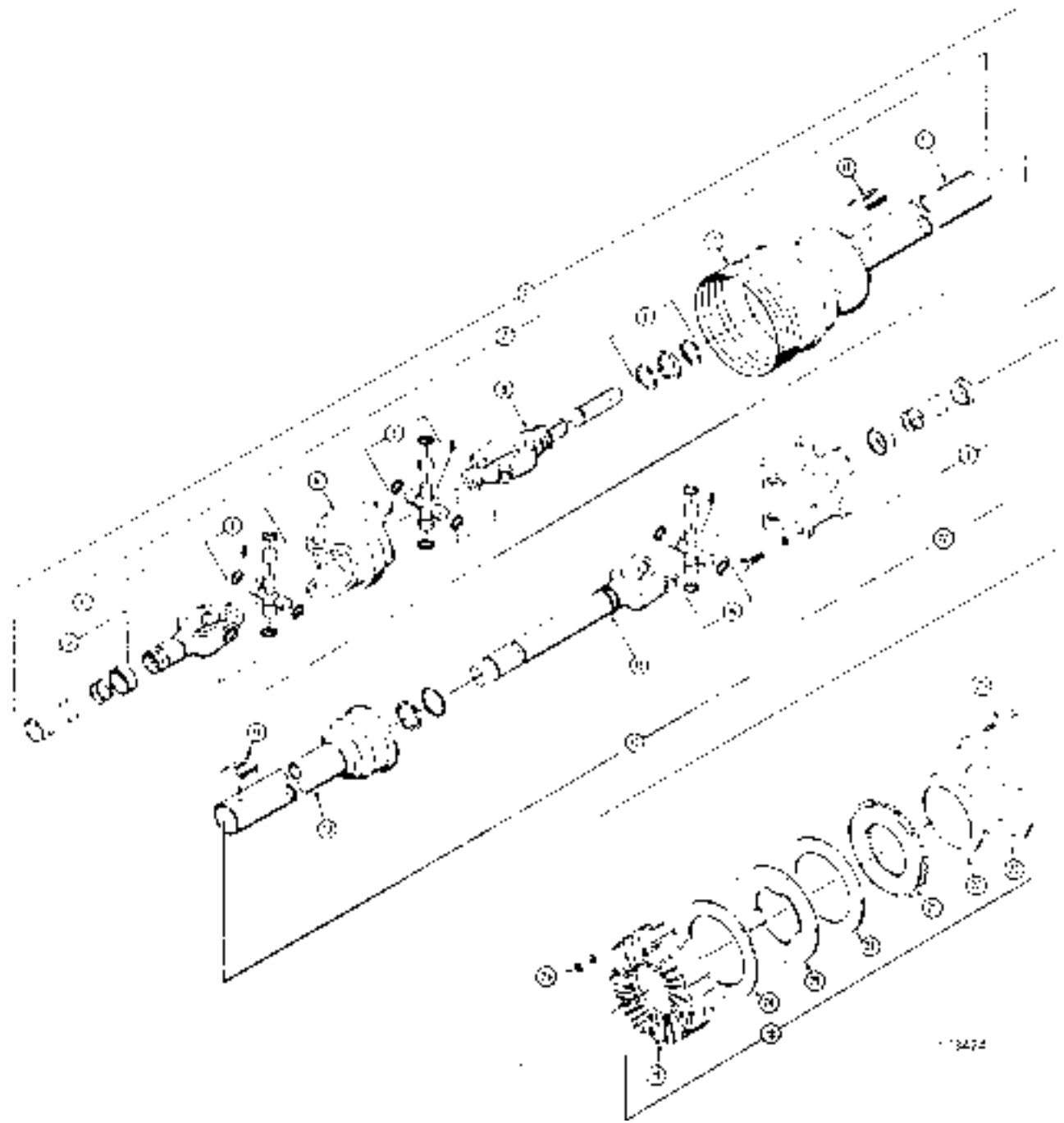
REF	PART NUMBER	QTY	DESCRIPTION
	174-875	1	PTO Assy; W2480, 1000 RPM
1	174-969	1	Front Half Assy; Outer Profile, CV W/ Guard 1 3/4 - 20 Spline
2	172-224	1	Yoke 1 3/4 - 20 Spline
	174-967	1	Lock Collar Repair Kit
3	172-202	1	Double Yoke
4	172-208	1	Zerk
5	174-953	1	InBoard Yoke
6	172-204	1	Cross and Bearing Kit
7	171-983	1	Spring Pin, 10 x 80
8	174-954	1	Outer Profile & Sleeve
9	172-209	1	Zerk
10	171-799	1	Decal
11	172-205	1	CV Cone & Bearing Assy.
12	172-206	1	Shield Cone 3 Rib
13	174-958	1	Inner Shield
14	172-207	1	Support Bearing
15	171-979	1	Bearing Ring
16	174-960	1	Cross & Bearing Kit
17	174-970	1	Rear Half Assy, Cut-Out Clutch W/ Guard
18	174-955	1	Overrunning Clutch & Inner Profile Assy
	174-978	1	PTO Inner Profile
19	174-956	1	Cut-Out Clutch
	174-966	1	Lock Bolt, Must be torqued to 75 Ft. Lbs.
20	171-980	1	Cross & Bearing Kit
21	174-957	1	Outer Shield
22	174-959	1	Shield Cone 8 Rib
23	172-040	1	Safety Chain
24	171-550	1	Decal
25	172-227	1	Decal-Lubrication
26	171-979	1	Bearing Ring
27	172-208	1	Zerk
28	172-210	8	Screw (total quantity for complete assembly)



PTO DRIVELINE (internal spline shaft) & FRICTION CLUTCH

(1000 RPM - 21 SPLINE / 1-3/8" YOKE)

PTO parts are used on units, Serial Number (8032-282 1000 RPM), (8040-192 1000 RPM) and before.)

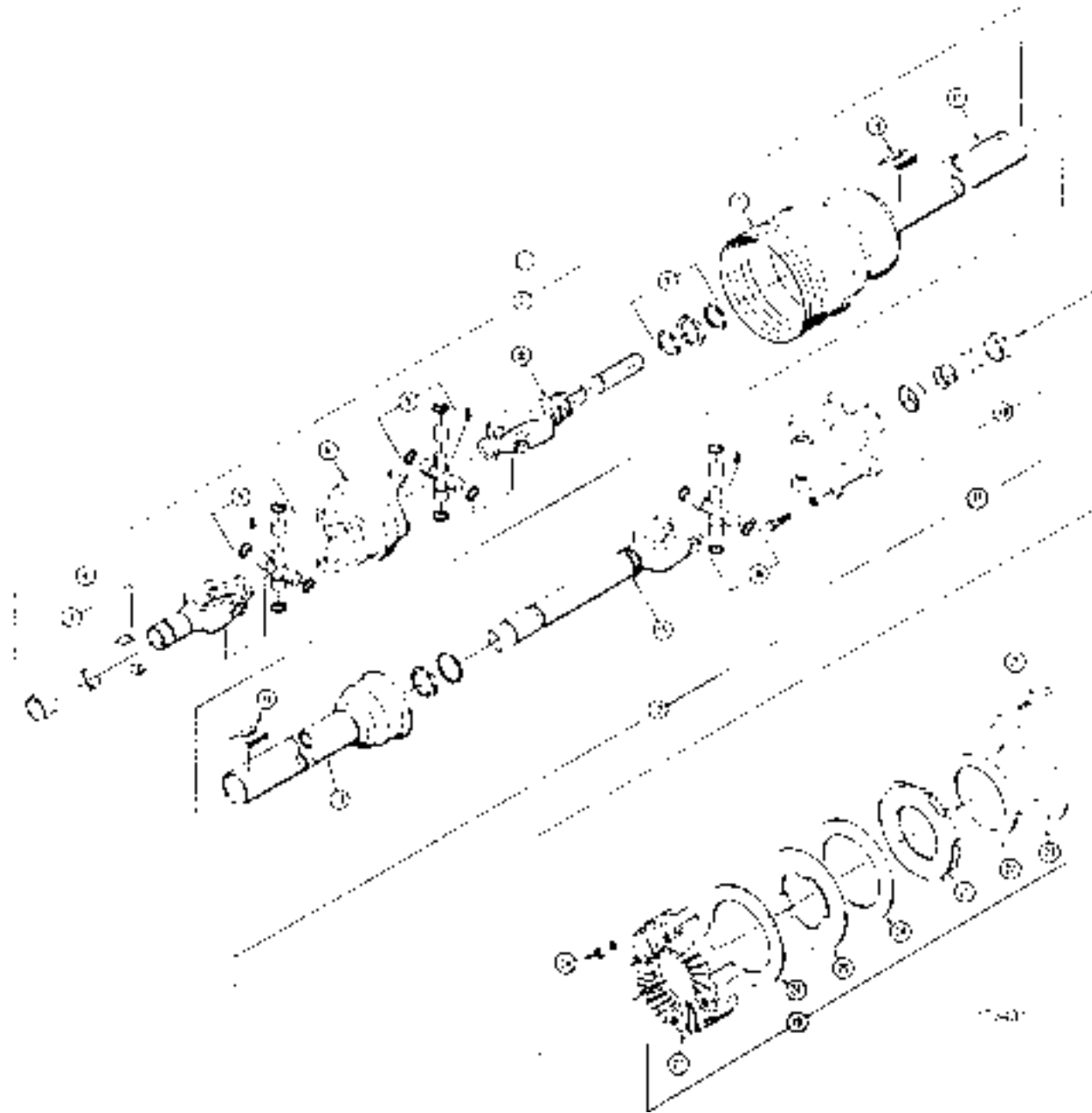


REF	PART NO	QTY	DESCRIPTION
1	173-424	1	PTO Assembly 35R 1000 RPM (Less Clutch Pack)
2	173-429	1	PTO Outer Joint and Shaft Half with Shield
4	172-992	1	Slide Lock Yoke Assembly (1 3/8")
	171-544	1	Spring Slide Lock Repair Kit
5	172-852	2	Cross and Bearing Kit
6	172-303	1	Center Housing
8	173-425	1	Yoke and Shaft Assembly
11	172-848	1	Outer Shield
	172-304	1	Bell Housing with Nylon Centralizer
	170-220	2	Nylon Repair Kit
	171-550	1	Safety Decal
12	173-430	1	Inner Joint and Tube Half with Shield
13	172-847	1	Inner Shield
14	171-799	1	Safety Decal
15	173-426	1	Yoke Tube and Slip Sleeve
16	170-776	1	Cross and Bearing Kit
17	173-203	1	Clutch Hub
18	173-199	1	Friction Clutch Assembly; 15,000
19	173-202	1	Clutch Housing; Mtg Hrd: 5/16" x 1" bolt (4ea)
20	173-206	1	Separator Plate
21	173-204	1	Pressure Plate
22	173-208	1	15K Spring - (color yellow)
23	173-205	1	Compression Plate
24	172-860	2	Friction Disk
25	170-369	6	Bolt; 5/16" x 2 1/2"
26	170-119	6	Nut; 5/16"

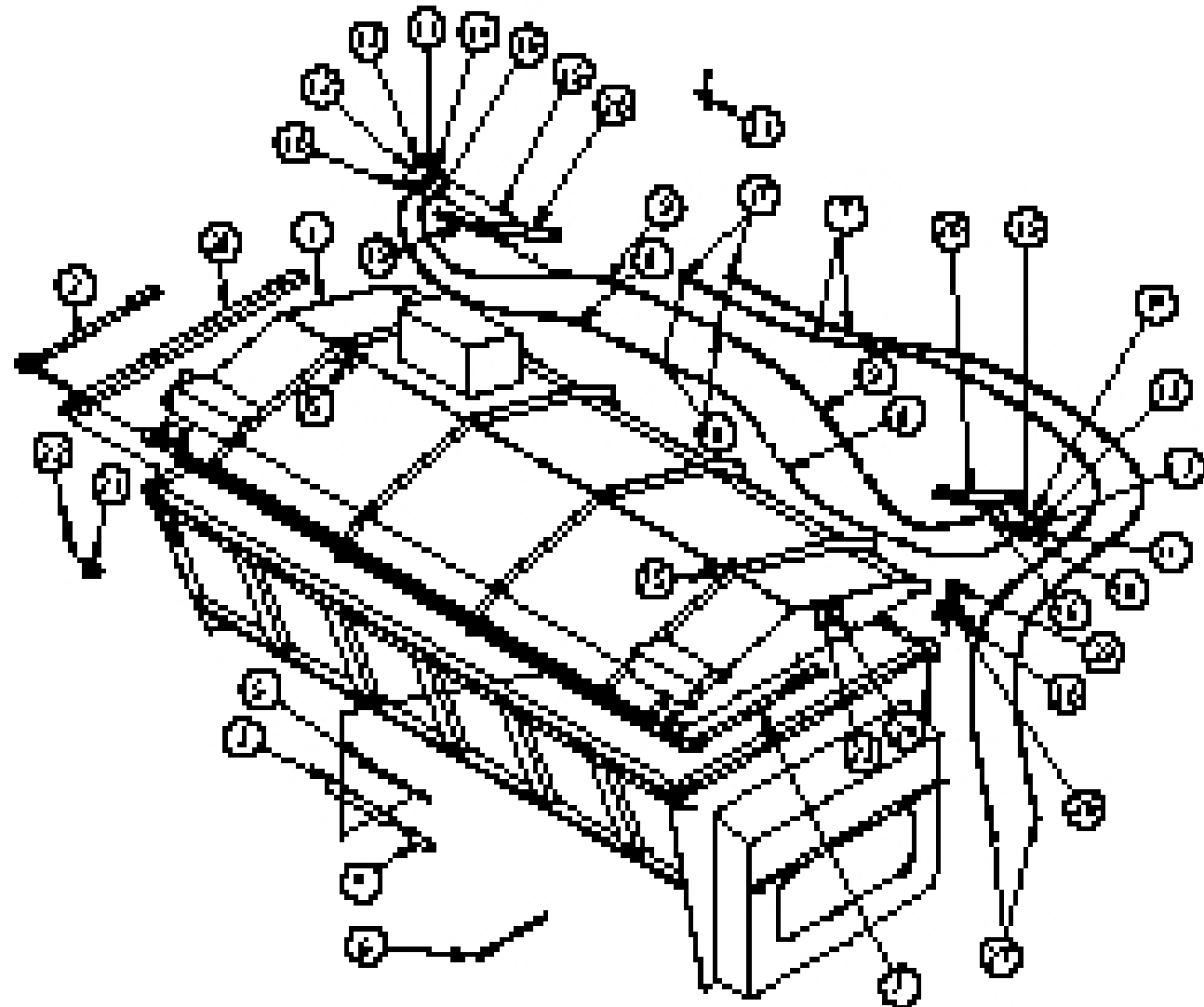
PTO DRIVELINE (internal spline shaft) & FRICTION CLUTCH

(1000 RPM - 20 SPLINE / 1-3/4" YOKE)

PTO parts are used on units, Serial Number (8032-371 1000 RPM), (8040-268 1000 RPM) and before.)



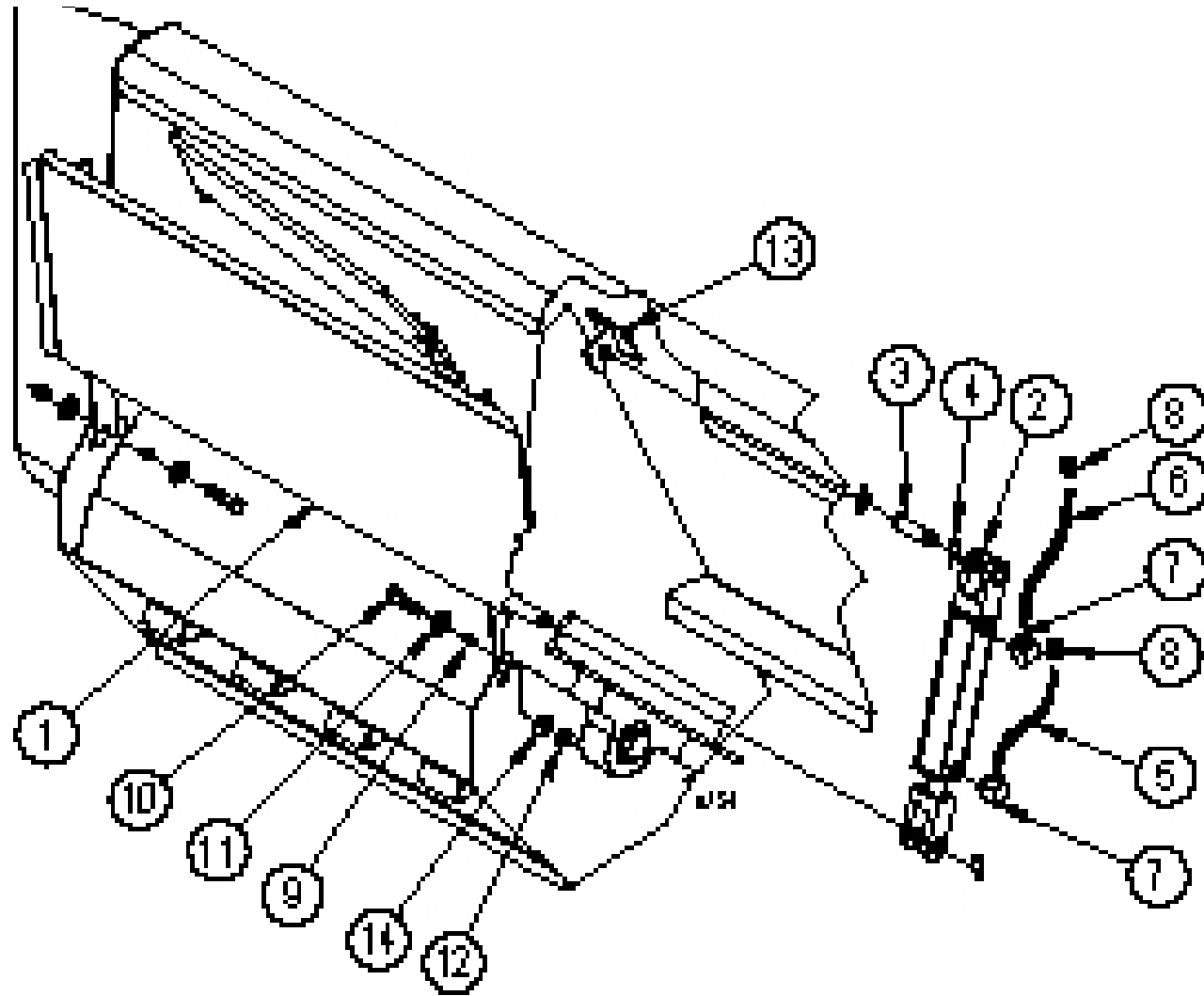
REF	PART NO	QTY	DESCRIPTION
1	173-431	1	PTO Assembly 35R 1000 RPM (Less Clutch Pack)
2	173-432	1	PTO Outer Joint and Shaft Half with Shield
4	172-851	1	Slide Lock Yoke Assembly (1 3/4")
	172-496	1	Spring Slide Lock Repair Kit
5	172-852	2	Cross and Bearing Kit
6	172-303	1	Center Housing
8	173-434	1	Yoke and Shaft Assembly
11	172-916	1	Outer Shield
	172-304	1	Bell Housing with Nylon Centralizer
	170-220	2	Nylon Repair Kit
	171-550	1	Safety Decal
12	173-433	1	Inner Joint and Tube Half with Shield
13	172-994	1	Inner Shield
14	171-799	1	Safety Decal
15	173-435	1	Yoke Tube and Slip Sleeve
16	170-776	1	Cross and Bearing Kit
17	173-203	1	Clutch Hub
18	172-496	1	Spring Slide Lock Repair Kit
19	173-199	1	Friction Clutch Assembly; 15,000
20	173-206	1	Separator Plate
21	173-204	1	Pressure Plate
22	173-208	1	15K Spring - (color yellow)
23	173-205	1	Compression Plate
24	172-860	2	Friction Disk
25	170-369	6	Bolt; 5/16" x 2 1/2" (grade 5)
26	170-119	6	Nut; 5/16" (grade 5)
27	173-202	1	Clutch Housing; Mtg Hrd: 5/16" x 1" bolt (grade 5) (4ea)



TOP LID PARTS

REF	PART NO	QTY	DESCRIPTION
1	103-760	1	Top Lid Assembly (8032) (Includes Decals)
	103-761	1	Top Lid Assembly (8040) (Includes Decals)
2	102-073	2	Cylinder Mount - Pivot
3	174-848	49*	Polyester Fabric;(8032),Total for Unit
	174-848	57*	Polyester Fabric;(8040),Total for Unit
4	174-849	49*	Foam Rubber; 3/8" x 49' (8032)
	174-849	57*	Foam Rubber; 3/8" x 57' (8040)
5	140-863	4	Seal Retainer; RH&LH (8032)
			Mtg Hrd: 5/16" x 1" Bolt, FW, FLN (5 ea)
	140-887	4	Seal Retainer; RH&LH (8040)
			Mtg Hrd: 5/16" x 1" Bolt, FW, FLN (6 ea)
6	140-872	2	Seal Retainer; F&B Mtg Hrd: 5/16" x 1" Bolt, FW, LN (5 ea)
7	171-460	2	Hydraulic Hose; 1/4" x 294" (8032)
	173-491	2	Hydraulic Hose; 1/4" x 304" (8040)
8	170-466	2	Hydraulic Hose; 1/4" x 138" (8032)
	170-468	2	Hydraulic Hose; 1/4" x 162" (8040)
9	171-998	2	Hydraulic Hose; 1/4" x 118" (8032)
	173-488	2	Hydraulic Hose; 1/4" x 153" (8040)
10	172-794	2	Hydraulic Hose; 1/4" x 20"
11	170-233	2	Swivel Adapter; 3/8" M x 3/8" F SW
12	171-251	2	Swivel Adapter; 1/4" To 3/8" Straight
13	172-809	2	Adapter; 90° Street Elbow, 1/4"
14	172-806	2	Pilot Operated Check Valve
15	172-808	2	Flow Restrictor; 3/8"
16	172-807	2	Swivel Tee Adapter, 3/8" F SW x 3/8"
17	171-030	2	Swivel Adapter; 3/8" M x 3/8" F SW x 90°
18	171-442	2	Tee Adapter; 3/8" (Welded to 8032 lid, clamped to 8040 lid)
19	170-122	22	Spacer Washers (Approximately 22 Req'd)
20	170-161	2	Hydraulic Cylinder; 2" x 18", (Includes clevis pin & hairpin clip)
			(Seal Kit 170-075)
21	103-768	2	Hold Down Bracket; (8032)
			Mtg Hrd: 1/4" x 1" STS 174-874 (4 ea)
	103-768	3	Hold Down Bracket; (8040)
			Mtg Hrd: 1/4" x 1" STS 174-874 (4 ea)
22	140-871	2	Seal Rod;(8032) Mtg Hrd: 1/2" FW (2ea),LN,Hairpin Clip(170-883)(1ea)
		3	Seal Rod;(8040)
23	172-599	2	Decal; Danger Maintain Safe Clearance From Power Lines
24	172-787	2	Decal; Warning Crush Under Top
25	172-821	2	Decal; Caution Do Not Lift Implement Here
26	103-762	2	Hold Down Bracket (8032) Mtg Hrd: 1/4" x 1" STS 174-874 (4ea)
	103-762	3	Hold Down Bracket (8040) Mtg Hrd: 1/4" x 1" STS 174-874 (4ea)
27	170-235	2	Reducer Fitting; 1/2" To 3/8"
28	140-873	1	Seal Retainer (Front) Mtg Hrd: 1/2" x 1-3/4" Bolt,FW (8 ea), LN (5 ea)
	140-874	1	Seal Retainer (Rear) Mtg Hrd: 1/2" x 1-3/4" Bolt,FW (8 ea), LN (5 ea)
29	140-878	2	U- Bolt; (8032) Mtg Hrd: 5/16" LN, (2 ea)
	140-878	3	U- Bolt; (8040) Mtg Hrd: 5/16" LN, (2 ea)
30	140-879	2	Hold Down Pivot Bar (8032)
	140-879	3	Hold Down Pivot Bar (8040)
31	140-468	1	Hose Hold-Down Bracket; Mtg Hrd: 5/16" x 1 3/4" Bolt, FLN
			(1ea) (8040 Only)

* Sold by Linear Foot



REF	PART NO	QTY	DESCRIPTION
1	103-622	1	Deflector Assembly
2	173-273	1	Cylinder; 2" DIA x 10"; (Seal Kit #170-075)
3	170-073	1	Clevis Pin; 1" x 2 1/2"
4	170-074	2	Hair Pin
5	173-493	1	Hydraulic Hose; 1/4" x 198" OAL
6	171-068	1	Hydraulic Hose; 1/4" x 192" OAL
7	171-030	2	Adapter; 3/8" 90 Degree
8	170-235	2	Adapter; 1/2" x 3/8"
9	140-459	2	Bushing
10	170-368	2	Bolt; 3/8" x 1 1/2"
11	170-244	2	Washer; 3/8"
12	170-047	2	Lock Nut; 3/8"
13	103-627	1	Lug (field install) Bolt-on
14	170-302	2	Heavy Washer; 3/8"

DECAL & PAINT LIST

The following decals are listed below for your convenience.
 Use the operator's manual for decal location, part number and ordering.

Unit Decals:

PART NO	QTY	DESCRIPTION
174-721	1	Complete Set of Decals (8032TR & 8032HF)
174-679	1	Complete Set of Decals (8040TR)
170-490	1	Engage PTO Slowly
170-849	2	Warning...Beware Of Power Driven Parts
170-893	1	Slow Moving Vehicle Sign
171-304	1	Door Gauge
171-609	1	Caution...Do Not Exceed
171-712	1	Retighten Set Screws
171-820	4	Danger... Rotating Auger
171-821	2	Danger...Material Discharges
171-913	1	Warning...Do Not Operate
171-915	2	Danger...Shield Missing
172-171	1	Caution...Read Operators Manual
172-759	1	U.S. Patent Decal
172-820	1	Caution...Lifting Instructions
172-883	1	Oil Level Plug
173-040	1	Caution...PTO Operation
174-514	1	"Knight"
174-567	2	"8032" (8032TR & 8032HF)
174-666	2	"8040" (8040TR)
174-726	2	"Industrial"
174-686	2	Red Reflector
174-720	2	Knight Pro twin Slinger

Top Lid Decals:

PART NO	QTY	DESCRIPTION
172-821	2	Decal; Caution - Do Not Lift Here
172-599	1	Decal; Danger - Overhead Wires
172-787	2	Decal; Warning - Crushing Under Top..(Front & Rear)

Paint:

177-243	Sandstone Silver, Aerosol Can
177-242	Sandstone Silver, Quart Can
177-241	Sandstone Silver, Gallon Can

OPTIONAL KITS

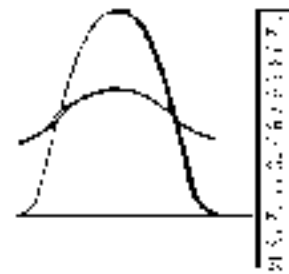
Safety Chain For Towed Equipment

PART NO 173-077

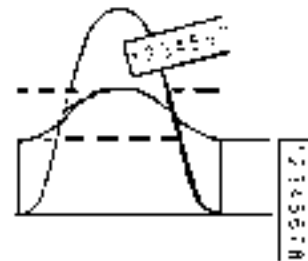
This chain is designed to retain the connection between the towing and towed machines in the event of separation of the primary attaching system. It should be used whenever the unit is transported on the highway.

FLIGHTING TERMS AND DIMENSIONS

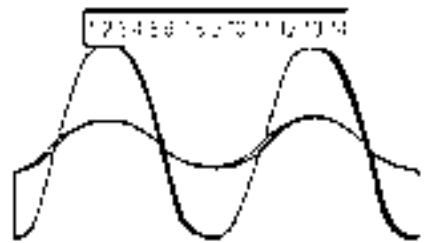
OUTSIDE DIAMETER: Outside diameter can be determined by laying the flight on a flat surface and measuring from the top to the base. NOTE: Dimensions may vary slightly.



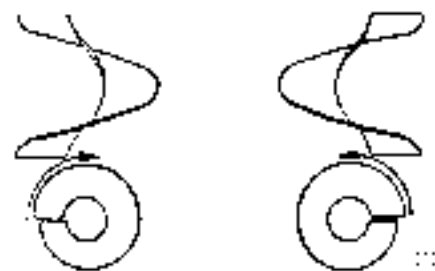
THICKNESS: Thickness of flighting can be determined with any linear measuring instrument.



INSIDE DIAMETER: To find the inside diameter of flight, measure the distance from the inside of the flight to the peak. Then multiply the dimension by two and subtract the answer from the outside diameter dimension.



PITCH: Pitch is the dimension from one peak to the next, measured along the axis of the shaft. The term full pitch means that the outside diameter and the pitch are the same.



RIGHT HAND AND LEFT HAND FLIGHTING: As you look at the face of flighting and it is slanting downward to the right; it is right hand and if it is slanting downward to the left; it is left hand.

Flighting dimensions are written in a series similar to the following:

1/4" - 4" - 14" - 14"
Thick - I.D. - O.D. - Pitch

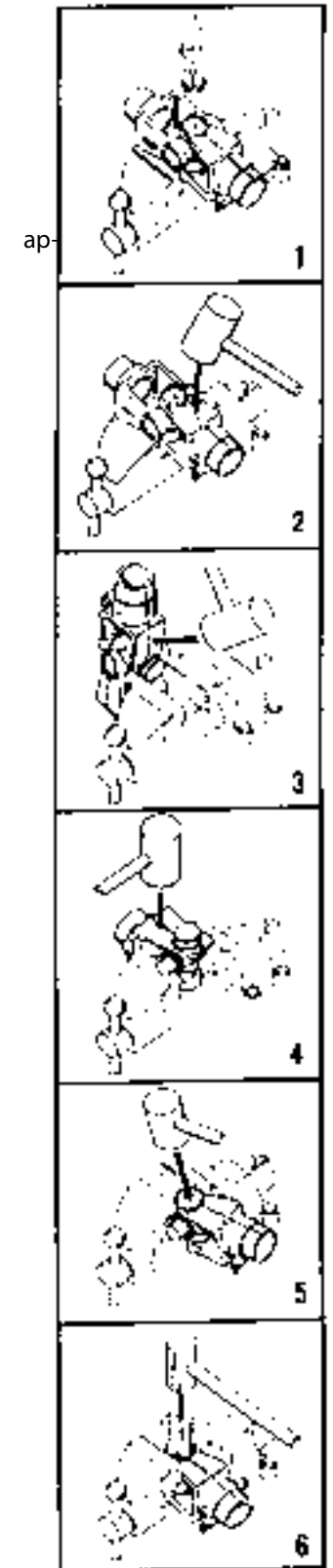
U-JOINT DISASSEMBLY PROCEDURE:

1. Remove the four snap rings as shown in Figure #1.
2. Position the joint in an open vise, with each ear of one yoke supported by a vise jaw. Figure #2
3. With a soft hammer or mallet, strike the top ear of the unsupported yoke as indicated by the arrow in figure #2. This will drive the top bushing outward approximately 3/8 of an inch.
4. Grip the loosened bushing in the vise as shown in Fig. #3. Drive the yoke off the bushing by striking the yoke ear with a mallet in the direction of the arrow. (Fig. #3)
5. This same procedure should be followed to remove the bushing that is directly opposite the one in Step 4. After this, the yoke itself may be removed.
6. To remove the remaining two bushings, support the cross as shown in Figure #4. Make certain that the vise jaws are covered with brass protectors. By striking the yoke ear as indicated by the arrow in Figure #4, the remaining bushings can be removed by repeating the procedure called for in Step 4 & Figure #3.

U-JOINT ASSEMBLY PROCEDURE:

DURING REASSEMBLY, BE SURE THAT THERE IS NO DIRT ON THE TRUNNIONS OF THE CROSS OR IN THE BUSHINGS!

1. Start one bushing in the yoke ear and position the center cross through the yoke. Drive the first bushing down flush with the outside surface of the ear as shown in Fig. #5. Support the underside of the ear so as not to spring the yoke.
2. Clamp the ear in the vise as shown in Figure #6. Use a punch of the same diameter as the bushing, drive the bushing past the snap ring groove, and insert a snap ring.
3. Position the cross and drive in the opposite bushing as described in Steps 1 & 2, and insert a snap ring.
4. Assemble the second yoke in the same manner.
5. To insure proper seating, and to eliminate any possible tightness, strike the forged surfaces of the yoke ears with a mallet. This will insure a free flexing joint.
6. Lubricate with a good grade of multipurpose grease.



HARDWARE PART NUMBER LISTING

HARDWARE PART NUMBER LISTING CONTINUED:

All hex head bolts up to and including 1/2" dia are grade 5 unless otherwise specified. All fasteners are NC thread unless otherwise specified.

HEX NUTS AND WASHERS

SIZE	Hex Nuts	Lock Nuts	Jam Nuts	Flat Washer	Lock Washer
#6-32	172-418	174-188			172-417
#10-32	171-606	174-073		171-525	171-605
1/4"	170-125	170-069	171-386	170-301	170-124
5/16"	170-119	170-137	173-521	170-127	170-118
3/8"	170-007	170-047	170-022	170-244	170-006
7/16"	170-062	170-239	170-046	170-138	170-061
1/2"	170-004	170-042	170-036	170-040	170-003
5/8"	170-011	170-031	170-037	170-066	170-010
3/4"	170-017	170-185	170-035	170-015	170-016
7/8"	171-776	171-093		173-298	172-003
1"	173-022	174-928	174-927	170-122	171-021
1-1/4"	170-130 NF/175-006 NC			170928	175-005

HEX HEAD BOLTS

Bolt Size	Part No			
1/4 x 3/4	170-803	3/8 x 4-1/2	170-519	5/8 x 1-3/4 (Full thread)
1/4 x 7/8	171-094	3/8 x 5	170-493	5/8 x 2
1/4 x 1	170-310	3/8 x 5-1/2	174-196	5/8 x 2 (Full thread)
1/4 x 1-1/2	170-068	3/8 x 5-1/2 (Full thread)	170-593	5/8 x 2-1/4
1/4 x 2	172-986	3/8 x 6	174-304	5/8 x 2-1/2 (Full thread)
1/4 x 2 (Grade 8)	175-073	3/8 x 6-1/2	171-291	5/8 x 2-1/2
1/4 x 2-3/4	171-203	7/16 x 1	170-032	5/8 x 2-3/4
1/4 x 3	171-403	7/16 x 1-1/4	170-354	5/8 x 3
1/4 x 3-1/2	173-640	7/16 x 1-1/4 (Grade 8)	174-216	5/8 x 3-1/2
1/4 x 4	173-505	1/2 x 3/4	171-252	5/8 x 4-1/2
5/16 x 3/4	170-262	1/2 x 1	170-149	5/8 x 5
5/16 x 3/4 (Stainless steel)	174-787	1/2 x 1-1/4	170-373	5/8 x 5-1/2
5/16 x 1	170-027	1/2 x 1-1/2	170-002	5/8 x 7-1/2
5/16 x 1-1/4	170-188	1/2 x 1-1/2	171-039	5/8 x 9-1/2
5/16 x 1-1/2	170-372	1/2 x 1-3/4	171-774	3/4 x 2 (Full thread)
5/16 x 1-3/4	170-263	1/2 x 2	171-802	3/4 x 2
5/16 x 2	172-987	1/2 x 2-1/4	172-387	3/4 x 2 (Grade 8)
5/16 x 2-1/2	170-369	1/2 x 2-1/2 (Full thread)	171-099	3/4 x 2-1/4
5/16 x 3	170-295	1/2 x 2-1/2	170-885	3/4 x 2-1/2
3/8 x 3/4	170-439	1/2 x 2-1/2	170-885	3/4 x 2-1/2 (Grade 8)
3/8 x 3/4 (Stainless steel)	174-788	1/2 x 2-3/4	172-007	3/4 x 3
3/8 x 7/8	170-268	1/2 x 3	170-168	3/4 x 3-1/2
3/8 x 7/8 (soc. hd.capscrew)	172-044	1/2 x 3-1/2	170-167	3/4 x 3-1/2 (Grade 8)
3/8 x 1	170-054	1/2 x 3-1/2 (Grade 8)	172-950	3/4 x 4-1/2
3/8 x 1-1/4	170-005	1/2 x 4	173-111	3/4 x 4-1/2
3/8 x 1-1/4 (Stainless steel)	174-917	1/2 x 4 (Full thread)	171-509	3/4 x 6
3/8 x 1-1/2	170-368	1/2 x 4-1/2 (Grade 8)	171-573	3/4 x 8
3/8 x 2	170-245	1/2 x 5	171-412	7/8 x 2-1/4
3/8 x 2-1/4	170-320	1/2 x 6	173-506	7/8 x 3
3/8 x 2-1/2	170-257	1/2 x 6 (Grade 8)	174-944	7/8 x 3-1/2
3/8 x 2-1/2 (Full thread)	170-128	1/2 x 6-1/2	173-711	7/8 x 4
3/8 x 3	170-380	1/2 x 7-1/2	175-107	7/8 x 4 UNF
3/8 x 3-1/2	170-292	1/2 x 8-1/2	170-504	7/8 x 4 UNF
3/8 x 4	170-877	1/2 x 11	170-506	7/8 x 8 (grade8) UNF
				1 x 3-1/2
				1 x 8 (grade 8) UNF
				1-1/4 x 4-1/2 (grade 8)

TRUSS HEAD BOLTS

#6-32 x 3/4	172-416
#6-32 x 1	173-079
#8-32 x 1-1/2	171-210
#10-32 x 3/4	171-604
#10-32 x 1	172-882
1/4 x 3/4	170-193
1/4 x 1	170-194
5/16 x 1	170-117
CARRIAGE BOLTS	
1/4 x 2-1/2	171-394
1/4 x 3	170-509
5/16 x 2-1/2	171-395
3/8 x 3-1/2	171-283
3/8 x 4-1/2	170-191
3/8 x 5	170-495
3/8 x 6-1/2	171-174
1/2 x 1-1/2	174-045
1/2 x 1-1/2 (Grade 5)	174-918
1/2 x 6-1/2	171-098
1/2 x 9	171-255
5/8 x 2	175-110
5/8 x 2-1/2	174-790
PLOW BOLTS	
5/8 x 2	174-767
ZERKS	
1/8 NPT	170-865
1/8 NPT-45 Deg	170-864
1/8 NPT-65 Deg	170-215
1/8 NPT-90 Deg	170-866
3/16 drive in	174-124
1/4-28	170-023
1/4-28 - 45 Deg	170-148
1/4-28 - 90 Deg	170-049
1/4 NPT	170-277
1/4 NPT - 45 Deg	174-130
ROLLER CHAIN CONNECTOR LINKS	
#50	170-088
#50-2R	170-094
#60	170-089
#60-2R	170-095
#60H	171-102
#80	170-090
#80H	170-821
#100	170-091
#100H	171-969
#120	170-092
#140	170-093

#140H	173-552
#160	170-888

OFFSET LINKS

#50	170-096
#50-2R	170-102
#60	170-097
#60-2R	170-103
#60H	171-103
#80	170-098
#80H	170-820
#100	170-099
#100H	172-145
#120	170-100
#140	170-101
#140H	173-553
#160	170-887

ROLLER LINKS

#50	171-415
#60	171-416
#80	171-417
#80H	170-795
#100	171-418
#100H	172-146
#120	171-419
#140	171-420
#160	171-421

COTTER PINS

1/16 x 1/2	170-992
3/32 x 3/4	170-364
1/8 x 1	170-045
1/8 x 1-1/2	170-382
5/32 x 1-1/2	170-236
5/32 x 3	170-135
3/16 x 1-1/4	170-991
3/16 x 2	170-115
1/4 x 1-1/2	170-521
1/4 x 2	170-056

SET SCREWS

5/16 x 5/16	170-248
5/16 x 1/2	170-254
3/8 x 1/4	170-856
3/8 x 3/8	170-151
1/2 x 5/8	170-249
1/2 x 1-1/4 (half dog point)	171-085

101-636 11	134-666 11	140-432 15	170-153 32	171-464 11	172-362 13	173-158 15	174-960 20, 21
101-761 9	134-780 7	140-434 15	170-161 27	171-544 23	172-381 32	173-199 23, 25	174-966 20, 21
101-911 9, 17	134-787 7	140-435 15	170-167 32	171-550 20, 21, 23, 25	172-396 13	173-202 23, 25	174-970 20, 21
101-988 11	134-788 7	140-436 15	170-220 23, 25	171-586 11	172-421 11, 32	173-203 23, 25	174-978 20, 21
102-046 13	134-789 7	140-459 28	170-233 27	171-607 17	172-422 11	173-204 23, 25	175-035 11
102-047 5	134-790 7	140-468 27	170-235 27, 28	171-609 29	172-481 13	173-205 23, 25	175-553 7
102-048 13	134-792 17	140-848 5	170-244 5, 28	171-712 29	172-482 13	173-206 23, 25	177-241 29
102-049 13	134-824 13	140-863 27	170-258 17	171-764 17	172-485 9	173-208 23, 25	177-242 29
102-059 11	134-831 11	140-871 27	170-262 5, 15	171-768 32	172-489 9	173-220 11	177-243 29
102-060 19	134-834 7	140-872 27	170-302 28	171-799 20, 21, 23, 25	172-496 25	173-273 28	180-630 5
102-061 11	134-840 5	140-873 27	170-365 7	171-802 19	172-599 27, 29	173-309 20, 21	300-066 7
102-065 13	134-842 7	140-874 27	170-368 28	171-820 29	172-751 9, 17	173-424 23	300-067 17
102-066 13	134-843 13	140-878 27	170-369 23, 25	171-821 29	172-752 11	173-425 23	70300066 7
102-069 9	134-846 11	140-879 27	170-466 27	171-877 32	172-759 29	173-426 23	
102-073 27	134-861 19	140-887 27	170-468 27	171-899 32	172-772 11	173-429 23	
102-212 7	134-868 5	141-121A 15	170-471 11	171-913 29	172-787 27, 29	173-430 23	
102-214 17	134-874 11	141-693 17	170-490 29	171-915 29	172-794 27	173-431 25	
102-249 17	134-875 11	141-694 17	170-504 32	171-919 9	172-806 27	173-432 25	
102-259 7	134-878 11	142-003 11	170-506 32	171-929 5	172-807 27	173-433 25	
103-601 17	134-883 7	143-092 7	170-776 23, 25	171-934 17	172-808 27	173-434 25	
103-604 19	134-892 17	143-094 7	170-800 9, 17	171-935 5, 17	172-809 27	173-435 25	
103-605 19	134-898 7	143-096 7	170-835 7, 11	171-979 20, 21	172-820 29	173-488 27	
103-611 15	134-899 11	143-122 17	170-845 9, 17	171-980 20, 21	172-821 27, 29	173-491 27	
103-614 19	134-906 7	143-205 17	170-849 29	171-983 20, 21	172-822 5	173-493 28	
103-615 19	134-908 9	144-736 11	170-865 5, 13, 15	171-989 7, 17	172-823 5	174-514 29	
103-616 19	134-919 9	144-741 11	170-885 11	171-998 27	172-847 23	174-528 15	
103-617 19	135-598 17	146-376 15	170-893 29	172-005 9	172-848 23	174-567 29	
103-618 17	135-604 5	170-009 32	170-919 13	172-024 5	172-851 25	174-666 29	
103-619 17	135-612 17	170-014 32	170-920 13, 15	172-040 20, 21	172-852 23, 25	174-676 5	
103-620 17	135-614 7	170-030 32	170-921 13	172-171 29	172-860 23, 25	174-677 15	
103-622 28	135-662 17	170-038 32	170-922 13	172-202 20, 21	172-866 11	174-678 15	
103-627 28	135-692 7	170-058 32	170-926 13	172-203 20	172-873 17	174-679 29	
103-629 17	135-697 7	170-065 32	170-927 13	172-204 20, 21	172-874 17	174-686 29	
103-630 15	135-971 19	170-067 32	170-928 13	172-205 20, 21	172-883 29	174-720 29	
103-638 19	136-040 17	170-129 32	170-950 17	172-206 20, 21	172-913 7	174-721 29	
103-639 19	136-175 7	170-195 32	171-039 32	172-207 20, 21	172-916 25	174-726 29	
103-651 19	136-176 7	170-258 32	171-087 32	172-208 20, 21	172-992 23	174-784 15	
103-760 27	136-177 7	170-374 32	171-275 32	172-209 20, 21	172-994 25	174-838 5	
103-761 27	136-178 11	170-004 11	171-366 32	172-210 20, 21	172-999 15	174-839 5	
103-762 27	136-285 17	170-008 7, 11	171-412 32	172-224 21	173-001 15	174-840 5	
103-768 27	136-286 17	170-028 5	171-573 32	172-227 20, 21	173-002 15	174-848 27	
103-899C 11	136-714 19	170-031 11, 17	171-772 32	172-283 9	173-003 15	174-849 27	
104-292 7	136-715 19	170-037 11	171-030 11, 27, 28	172-288 7	173-004 15	174-875 21	
104-300 17	136-716 19	170-042 19	171-045 9	172-303 23, 25	173-005 15	174-876 20	
105-572 11	136-717 19	170-047 28	171-068 28	172-304 23, 25	173-006 15	174-953 20, 21	
133-277 11	140-412 5	170-052 7	171-251 27	172-312 13	173-007 15	174-954 20, 21	
133-288 11	140-417 19	170-056 13	171-252 9	172-313 13	173-031 15	174-955 20, 21	
133-637 11	140-418 19	170-073 11, 28	171-304 29	172-355 7	173-032 15	174-956 20, 21	
133-899 17	140-420 19	170-074 11, 28	171-387 7	172-356 32	173-040 29	174-957 20, 21	
134-086 9, 17	140-424 7	170-115 11	171-393 5	172-360 13	173-077 29	174-958 20, 21	
134-155 9	140-425 7	170-119 23, 25	171-442 27	172-361 13	173-080 9	174-959 20, 21	
134-481 17	140-426 17	170-122 27	171-460 27				
134-636 11		170-122 27					
134-649 11		170-149 9					