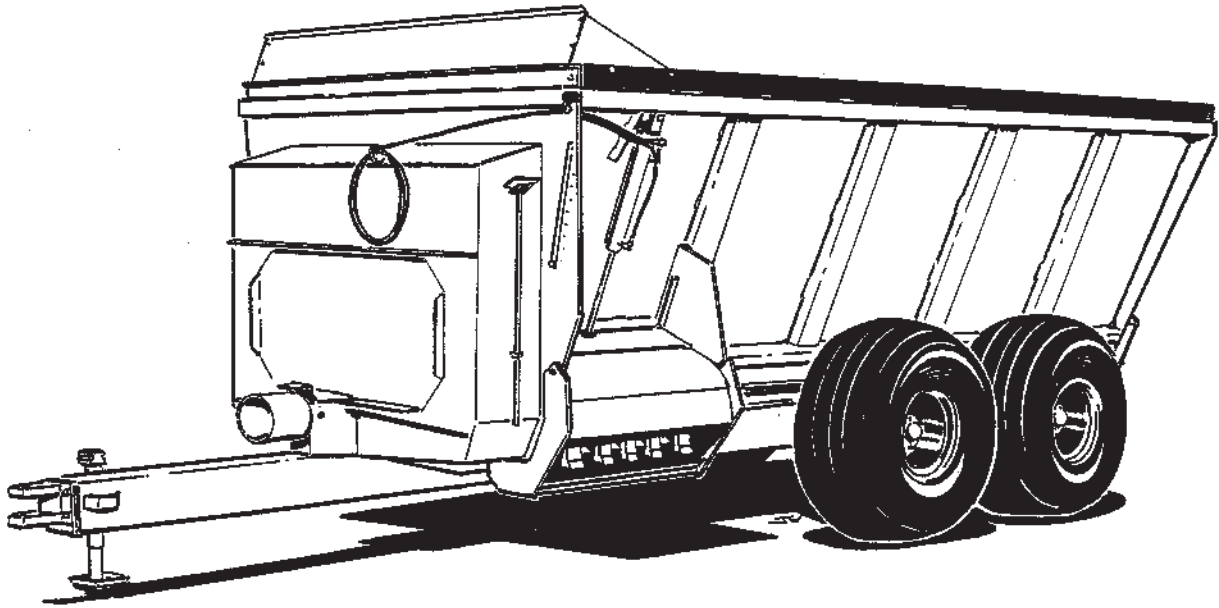


# **PRO TWIN SLINGER**

## **MODEL 8030 TOW TYPE**

### **SERVICE PARTS LISTING**



#### **TABLE OF CONTENTS**

Using This Listing .....	1
Front End Parts .....	2-5
Discharge Parts .....	6-7
Running Gear Parts .....	8-9
Rear End Parts .....	10-11
Splash Guard & Auger Parts .....	12-13
PTO Driveline .....	14-19
Top Lid Parts .....	20-21
Decal & Paint List .....	22
Optional Kits .....	23
Flighting Terms & Dimensions .....	24
Hardware Listing .....	25-26
Index .....	27-28

Catalog P/N 005569      Unit Serial Number: \_\_\_\_

Operator Instruction Manual For This Unit Is #005568  
R031097

**ABBREVIATIONS**

8030-TOW

Assy	Assembly
A/R	As Required
B	Bolt
Brg	Bearing
BSN	Before Serial Number
BTM	Bottom
C Bolt	Carriage Bolt
Cttr	Cotter
CV	Constant Velocity (Joint)
Dia	Diameter
ea	Each
Eq or Equiv	Equivalent
FLN	Flanged Lock Nut
FW	Flat Washer
Ga	Gauge
Gr or Grd	Grade
Hd	Head
Hyd	Hydraulic
ID	Inside Diameter
Ill or Illus	Illustration
Ind	Indicator
KW	Keyway
LH	eft Hand
LW	Lock Washer
Mtg Hrd	Mounting Hardware
NC	National Coarse
NF	National Fine
OD	Outside Diameter
Pc(s)	Piece(s)
PD	Pitch Diameter
PTO	Power Takeoff (Shaft)
Q or Qty	Quantity
Reg Mach	Regular Machine
RH	Right hand
SN	Serial Number
S.S.	Setscrew
Sprkt	Sprocket
Sq	Square
Std	Standard
UASN	Used After Serial Number
UBSN	Used Before Serial Number

This listing uses a number indentation system to specify the parts of an assembly. Any number which is indented to the right, indicates that it is a component of the item to the upper left.

Example:

<u>Part no</u>	<u>Description</u>	<u>Qty</u>
uuu-uuu	Assembly A	2
vvv-vvv	Sub-Assembly B	3
(Component of A)		
www-www	Component of B	5
xxx-xxx	Another Component of B	1
yyy-yyy	Sub-Assembly C	1
(Component of A)		
etc.		

Using this system, the sub-assemblies and their components are included if an **Assembly** is ordered. Similarly, the components of a sub-assembly are included if a sub-assembly is ordered.

The quantity (qty) associated with an assembly, represents the number of times an assembly could be shown in the drawing. The sub-assembly quantity however, is the number of times a sub-assembly is used to build one assembly. Similarly, the component quantity refers to the number of times a given component is found in one sub-assembly.

**MODEL AND SERIAL NUMBER INFORMATION** is located below the drive shielding (Fig. A). The model number, serial number and part number should be known when asking service personnel for parts.

If you cannot find the part you need, be as descriptive as possible when placing an order:

**Sprockets:** give the bore size, number of teeth, and number and size of keyways.

**Roller chain:** give the size of chain (stamped on the side of each link) and number of links.

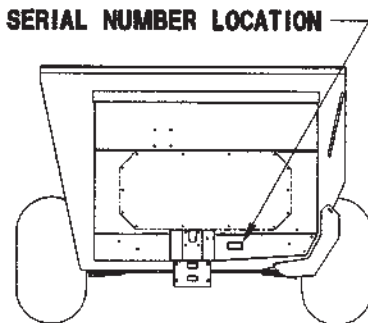
**Shafting:** give the diameter, length, and number and size of keyways.

Hardware is generally not included with parts. If you need any hardware, check the size, the length, and the grade (Fig. B), then check the hardware list in this manual for the part numbers.

**All hex head bolts up to and including 7/16" diameter are grade 5, and nuts are grade B unless otherwise stated.**

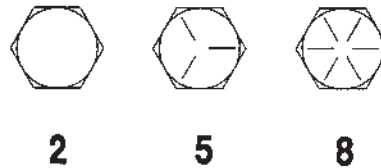
The hardware listing also includes listings for zerks, cotter pins, set screws, and roller chain links.

**The illustrations in this manual are meant to be used only as a guide for identifying parts and locating their relative positions.**



Serial Number Location  
Front View  
Figure A

**BOLT GRADES**

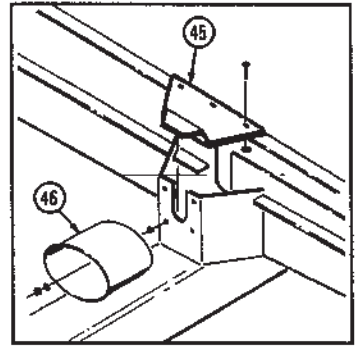


2                      5                      8

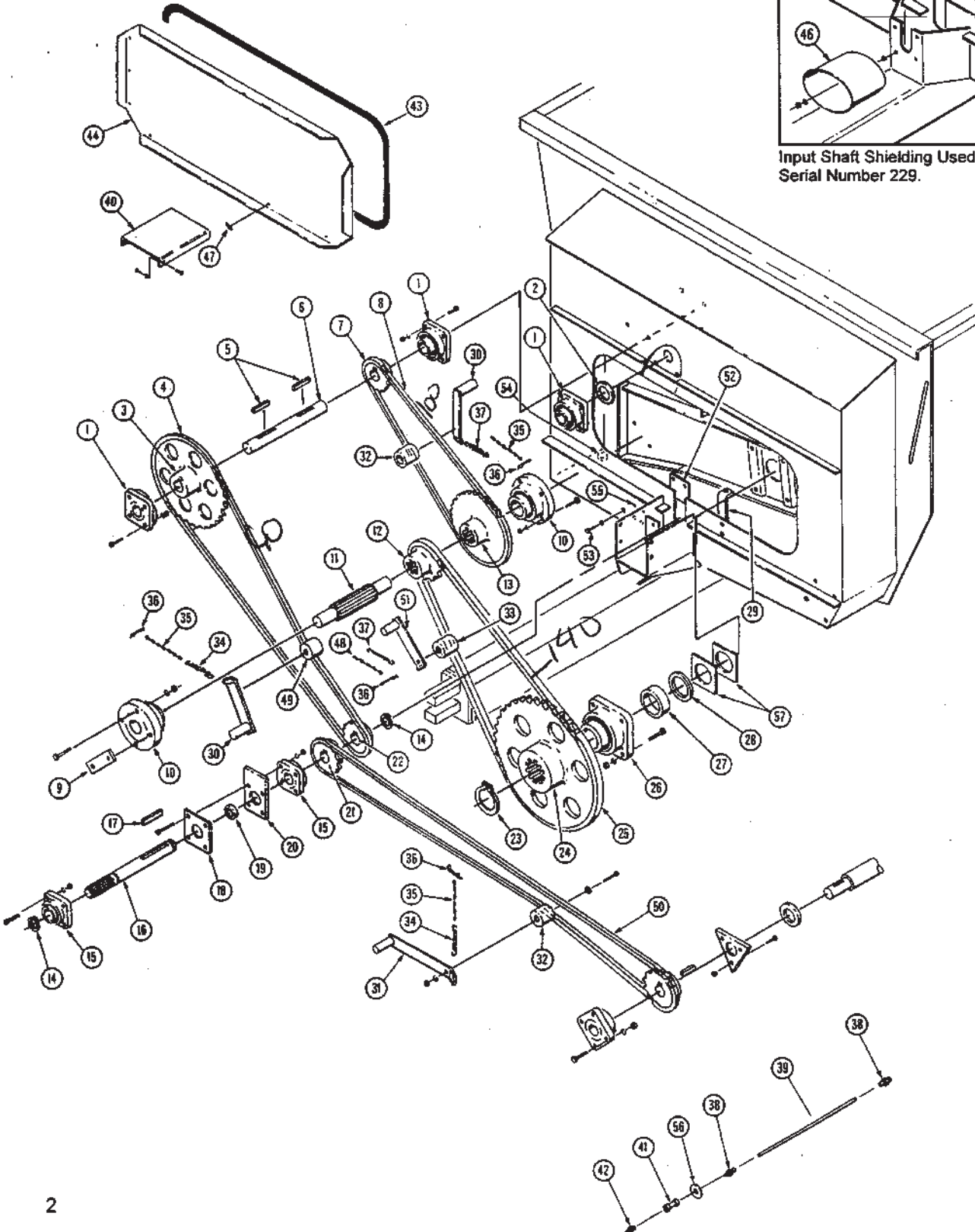
Bolt Head Grade Markings  
Figure B

**FRONT END PARTS**

8030-TOW R020998



Input Shaft Shielding Used Before Serial Number 229.



**FRONT END PARTS**

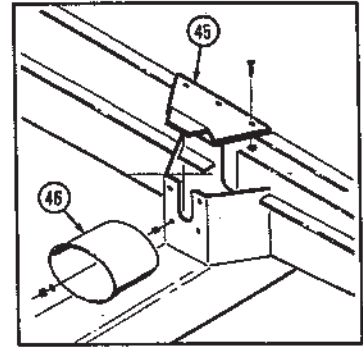
REF	PART NO	QTY	DESCRIPTION
1	170-008	3	Bearing; 2" Flanged Seal Master MSF-32 or Equiv. Mtg Hrd: 5/8" x 2" Bolt, LW, Nut
2	133-376	1	Poly Seal; 2" I.D.
3	136-176	1	Sprocket; 60B-90, 2" Bore
	130-369 <sup>C</sup>	1	Sprocket; 60B-72, 2" Bore
4	173-080	1	Roller Chain; 60-1-138 Pitch, W/Connector Link
	172-483 <sup>C</sup>	1	Roller Chain; 60-1-136 Pitch, W/Connector Link
5	170-835	2	Key; 1/2" x 1-1/2" Straight
6	134-842	1	Shaft; 2" x 12-1/2" Upper Counter
7	134-787	1	Sprocket; 100B-12, 2" Bore
8	172-485	1	Roller Chain; 100-1-76 Pitch, W/Connector Link
9	134-883 <sup>A B</sup>	1	Bearing Spacer
10	170-365	1	Bearing; 2-1/2" Double Roller, PTC FB22440E or Equiv. Mtg Hrd: 5/8" x 2-1/2" Bolt, LW, Nut (4) Outer Bearing 5/8" x 2" Bolt, LW, Nut (4) Inner Bearing
11	134-834	1	Shaft; 3" x 11-3/8" Splined Lower Counter
12	134-789	1	Sprocket; 140B-11, 3" Splined
13	134-788	1	Sprocket; 100B-36, 3" Splined
14	171-387	2	Snap Ring; 1-1/2" External
15	172-288 <sup>D</sup>	2	Bearing; 1-1/2" Eccentric Lock FYH NANF 208-24 or Equiv. Mtg Hrd: 1/2" x 1-3/4" Bolt LW, Nut (4) Outer Bearing 1/2" x 2" Bolt, LW, Nut (4) Inner Bearing
16	134-780	1	Shaft; 1-1/2" Splined
17	170-052	1	Key; 3/8" x 2-1/2" Square
18	134-906	1	Seal Retainer Plate
19	172-355	1	Seal; Lip, 1-1/2"
20	134-898	1	Shaft Spacer Plate
21	136-177	1	Sprocket; 80B-15, 1-1/2" Bore
	134-786 <sup>C</sup>	1	Sprocket; 60B-21, 1-1/2" Bore
22	134-602 <sup>C</sup>	1	Sprocket; 60B-18, 1-1/2" Bore
	136-175 <sup>D</sup>	1	Sprocket; 60B-23, 1-1/2" Bore
23	171-989	1	Snap Ring; 4" External
24	134-790	1	Sprocket; 140B-45, 4" Splined
25	172-489	1	Roller Chain; 140-1-66 Pitch, W/Connector Link
26	171-990	1	Bearing; 4" Double Roller, Linkbelt F-B22464H or Equiv. Mtg Hrd: 7/8" x 3" Bolt, LW, Nut
27	135-707	1	Seal Spacer
28	172-913	1	Quad Ring Seal; 4" I.D.
29	134-889	1	Chain Retainer Arm
30	101-911	2	Chain Tightener Arm
31	101-761	1	Chain Tightener Arm
32	134-155	2	Poly Tightener Block Mtg Hrd: 1/2" x 3" Bolt, FW, LW, Nut
33	134-919	1	Poly Tightener Block; FW, LW, Nut

A: This item has a quantity of one on serial numbers (8030-122) and before.

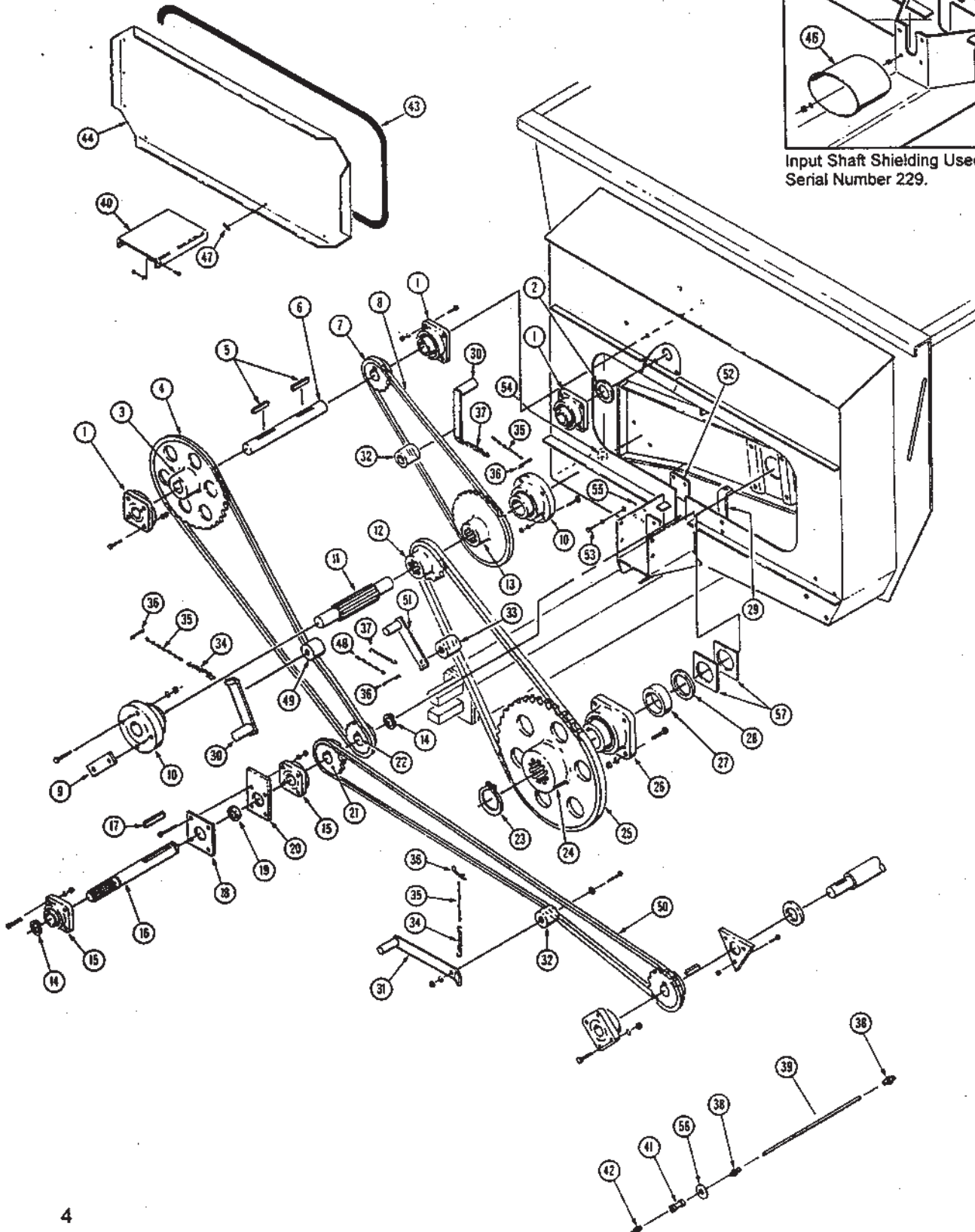
B: This item has a quantity of two on serial numbers (8030-123) to (8030-307).

C: This item is no longer used on serial numbers (8030-675) and after.

D: On serial numbers (8030-967) and before, this item was mounted on the back side of it's mounting plate facing inward toward the oil bath compartment. On serial numbers (8030-968) and after, this item is mounted on the outside of it's mounting plate facing the PTO shaft.



Input Shaft Shielding Used Before Serial Number 229.



**FRONT END PARTS**

8030-TOW R052297

REF	PART NO	QTY	DESCRIPTION
34	172-005	2	Spring
35	170-845	3	Machine Chain #4 x 17 Links
36	170-800	4	Clinch Pin
37	172-751	2	Spring
38	172-822	16	Compression Fitting
	172-823	5	Compression Fitting; 1/4" Tapered
39	180-630*	1	Nylon Tube; 34" x 3/16" O.D. Required For Front Expeller Bearing
		1	Nylon Tube; 30" x 3/16" O.D. Required For Front Lower Auger Bearing
		1	Nylon Tube; 23" x 3/16" O.D. Required For Rear Upper Counter Shaft Bearing
		1	Nylon Tube; 30" x 3/16" O.D. Required For Front Upper Counter Shaft Bearing
		1	Nylon Tube; 14" x 3/16" O.D. Required For Front Upper Auger Bearing
		1	Nylon Tube; 57" x 3/16" O.D. Required For Inner Input Shaft Bearing
		1	Nylon Tube; 28" x 3/16" O.D. Required For Rear Lower Counter Shaft Bearing
		1	Nylon Tube; 35" x 3/16" O.D. Front Lower Counter Shaft Bearing
40	135-604 <sup>B</sup>	1	Input Shaft Shield; Mtg Hrd: 5/16" x 3/4" Bolt, FLN & 171-393 Belleville Washer (2 ea)
41	172-024	8	Pipe Coupling
42	170-865	8	Grease Zerk
43	171-935	11	Foam Seal
44	134-840	1	Front Shield
45	134-891 <sup>B</sup>	1	Input Housing Shield
46	171-972 <sup>B</sup>	1	Plastic PTO Shield; Mtg Hrd: FW (8ea), LN (4ea)
47	171-929	14	Wing Nut, 3/8" (With Flat Washer)
48	171-045	1	Machine Chain #4 x 22 Links
49	134-086	2	Poly Tightener Block; Mtg Hrd: 1/2" x 4" Bolt, FW, LW, Nut
50	172-283	1	Roller Chain; 80-1-85 P.
	172-484 <sup>C</sup>	1	Roller Chain; 60-H-1-114 P.
51	102-069	1	Chian Tightener Arm
52	134-908	1	Cover Plate; Mtg Hrd 1/2" x 1" Bolt, LW, Nut (4 ea.)
53	171-252	1	1/2" x 3/4" Bolt and 172-884 Plastic Washer
54	171-919	1	Drain Plug; 1-1/4" PVC
55	170-149	4	1/2" x 1" Bolt, LW, Nut
56	170-244	8	Flat Washer; 3/8"
57	135-706	2	Poly Spacer

\* 180-630 Nylon Tube is sold by the foot.

A: Poly Block Style has changed. Before Serial Number (8030-090) use 134-086 Block.

B: Before serial number (8030-229) use 134-981 for shielding the input shaft bearing area, and 171-972 plastic shield on input shaft bearing mount.

C: Sprockets and Chains used before serial number 674



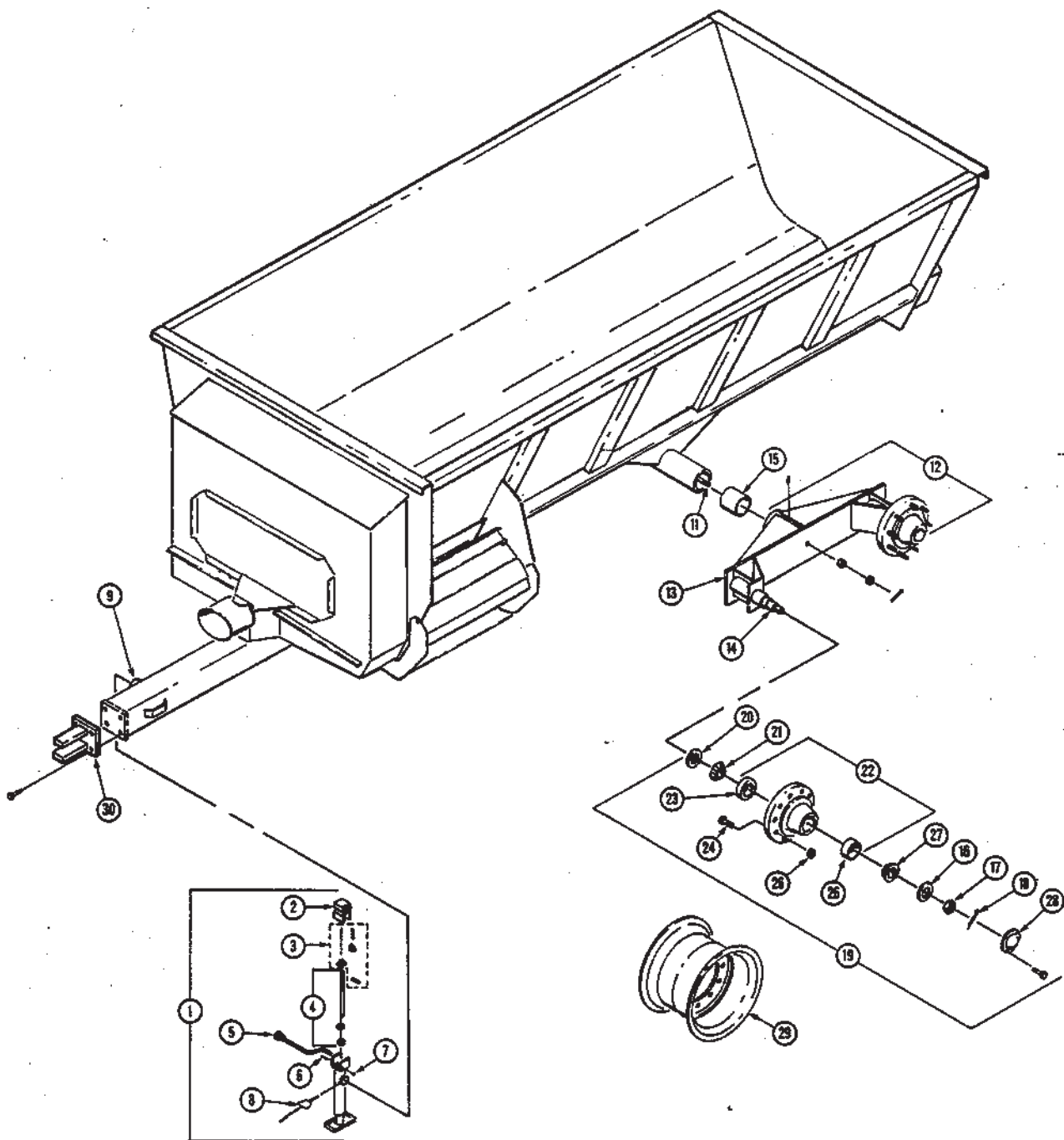


**DISCHARGE PARTS**

8030-TOW R043097

REF	PART NO	QTY	DESCRIPTION
1	102-059	1	Discharge Shroud Assy; Mtg Hrd 3/8" x 1" Bolt, Heavy FW & LN (4 ea) <b>(Upper)</b> 3/8" x 1" <b>(Lower Pivot)</b>
2	134-666	1	Shroud Visor; Mtg Hrd 5/16" x 1" FW, LW & Nut
3	170-008	1	Bearing; 2" Flanged, Sealmaster MSF-32 or Equiv. Mtg Hrd 5/8" x 1-3/4" LW & Nut
4	136-178	1	Sprocket; 80-B-18, 2" Bore 1/2" KW, Inc. 170151 S.S.
	134-785 <sup>C</sup>	1	Sprocket; 60-B-24, 2" Bore 1/2" KW, Inc. 170151 S.S.
5	134-831	1	Seal Retainer Plate; Mtg Hrd 5/16" x 1" FLN
6	133-277	1	Poly Seal
7		15	Lock Nut; 5/8" <b>(Grade 5)</b>
8	170-037	15	Jam Nut; 5/8" <b>(Grade 5)</b>
9	101-548	1	Front Hammer Assy; <b>(Tip #133-299)</b>
10	101-586	13	Center Hammer Assy <b>(Tip #133-298)</b>
11	101-549	1	Rear Hammer Assy <b>(Tip #133-299)</b>
12	172-422	15	Nylon Hammer Sleeve
13	172-421	15	Bolt; 5/8" x 5-1/2" Bolt <b>(Grade 5)</b> <b>Use AWS E10018 Electrode or Greater</b> <b>When Welding Replacement Tips</b>
14	101-988	1	Hammer Shaft Assy
15	134-875	1	Plastic Seal
16	171-586	1	Pillow Block Bearing; MPT # NAP 211-32 or Equiv Mtg Hrd 5/8" x 2-1/2" Bolt, FW, JN & LN (2 ea.)
17	134-874	1	Lock Angle; Mtg Hrd 5/16" x 1" Bolt, FW & LN
18	102-061	1	Discharge Door Assy
19	134-878	1	Door Height Indicator Bar Mtg Hrd 5/16" x 3/4" Bolt, 5/16" LN
20	170-319	1	Bolt; 1/2" x 2-1/2"
21	170-004	2	Nut; 1/2"
22	172-752	1	Hydraulic Cylinder, 2" x 18" Stroke. <b>(order seal kit # 170-075)</b>
23	170-073	2	Clevis Pin; 1" x 4-1/2"
24	170-074	1	Hair Pin Clip; 3" Long, 5/32" Wire Dia.
25	170-030	2	Adapter; 90 Deg.
26	171-464	1	Hydraulic Hose; 190" OAL <b>(Lower)</b>
27	170-471	1	Hydraulic Hose; 170" OAL <b>(Upper)</b>
28	101-636	1	Clean Out Tool
29	172-772	1	Lock Collar
30	170-835	1	Key; 1/2" x 1/2" x 1-1/2"
31	170-115	1	Cotter Pin; 3/16" x 2"

C: Sprockets and Chains used before serial number 674



**RUNNING GEAR PARTS**

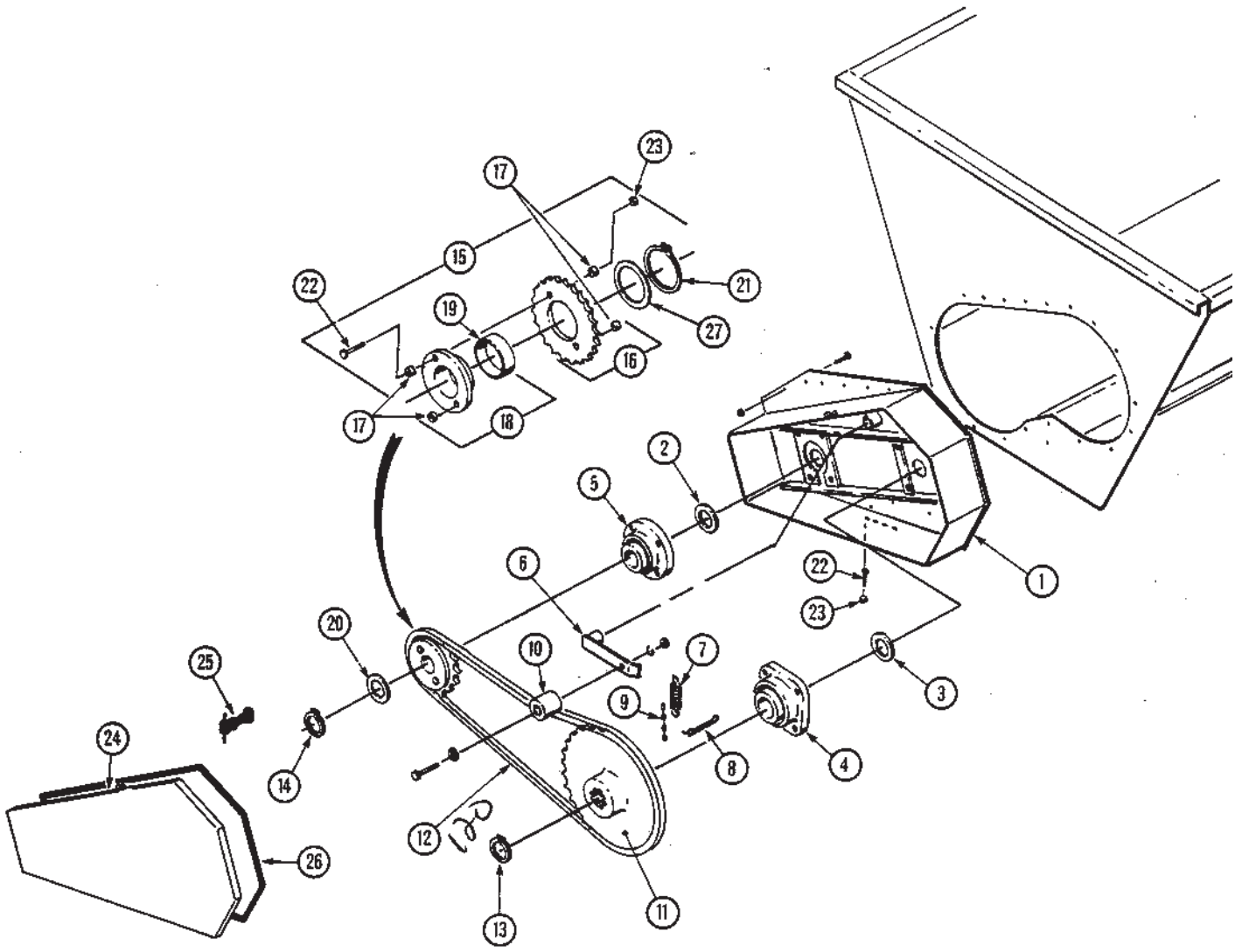
8030-TOW R022798

REF	PART NO	QTY	DESCRIPTION
1	171-610	1	Jackstand Assembly
2	171-814	1	Cover
3	171-614	1	Gear Kit
4	171-611	1	Screw, Nut, Bearing & Washer Assembly
5	171-612	1	Crank Assembly
6	170-509	1	Carriage Bolt; 1/4" x 3"
7	170-125	2	1/4" Nut
8	171-613	1	Pull Pin
9	171-615	1	Mount Tube Assembly
11	102-046	1	Tie Rod Assembly Mtg Hrd: 3/4" Nut, Jam Nut, (170-236) Cotter Pin (1 ea) & FW (2)
12	102-049	1	LH Bogie Assembly
13	102-065	1	LH Bogie Weldment
	170-865	1	Grease Zerk
14	134-824	1	Spindle; 3"
	102-048	1	RH Bogie Assembly
	102-066	1	RH Bogie Weldment
	170-865	1	Grease Zerk
	134-824	1	Spindle; 3"
15	134-843	1	Bushing; Bogie Pivot
16	170-928	2	Spindle Washer
17	170-927	1	Castle Nut; 1-1/4" UNF
18	170-056	1	Cotter Pin; 1/4" x 2"
19		1	10-Bolt Hub Assembly
20	172-362	1	Grease Seal
21	172-360	1	Inside Bearing Cone * Timken #33275 or Equiv.
22	172-396	1	10-Bolt Hub
23	172-361	1	Inside Bearing Race * Timken #33462 or Equiv.
24	170-919	10	Wheel Stud; 3/4" NF
25	170-922	1	Outside Bearing Race * Durst 453A-E.W. #1300752-00 or Equiv.
26	170-920	10	Wheel Nut; 3/4" NF
27	170-921	1	Outside Bearing Cone * Durst 460-E.W. #1300781-00 or Equiv.
28	170-926	1	Dust Cap
29	172-481	4	Wheel; 16.1" x 18", 10-Hole
	172-312	4	Wheel; 13.5 x 22.5 10-Hole (Optional)
30	102-047	1	Clevis Mtg Hrd: 3/4" x 2" Gr. 8 Bolt (4 ea) 3/4" LN Gr. 8 (4 ea)

ADD WHEEL  
173158 WHEEL DWDA 28  
10 HOLE.  
23.1 X

**REAR END PARTS**

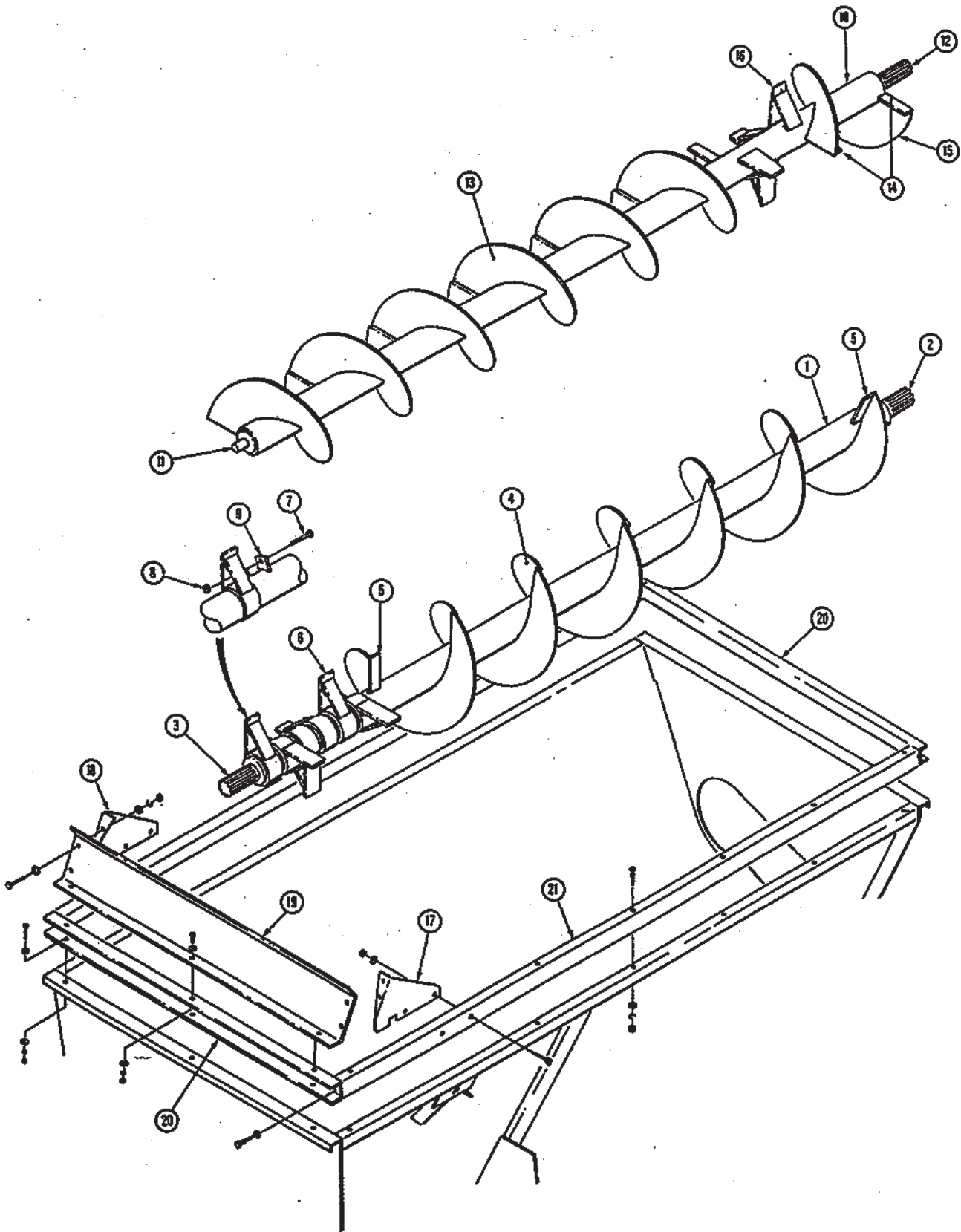
8030-TOW R080996



**REAR END PARTS**

8030TR 005569 R061200

REF	PART NO	QTY	DESCRIPTION
1	102-044	1	Rear Cover Mtg Hrd: 3/8" x 1" Bolt, FW, LW, & Nut (21 ea.)
2	133-899	1	Poly Seal; 3" I.D.
3	133-278	1	Poly Seal; 3-1/2" I.D.
4	170-445	1	Bearing; 3-1/2" Double Roller PTC 22456E or Equiv. Mtg Hrd: 3/4" x 2-1/2" Bolt, LW & Nut (4 ea)
5	171-930	1	Bearing; 3" PTC F-B 22448E or Equiv. Mtg Hrd: 3/4" x 2-1/2" Bolt, LW & Nut (4 ea)
6	101-911	1	Chain Tightener Arm
7	172-751	1	Spring; 1-1/2" x 8-1/4" Long
8	170-800	1	Clinch Pin; 1-1/2" Long
9	170-845	1	Machine Chain; #4 x 17 links
10	134-086	1	Tightener Block Mtg Hrd: 1/2" x 4" Bolt, FW, LW, & Nut
11	134-792	1	Sprocket; 120-B-48, 3-1/2" Spline
12	171-764	1	Roller Chain; 120-1-76P
13	171-607	1	Snap Ring; 3-1/2" External
14	171-934	1	Snap Ring; 3" External
15	102-057	1	Shear Sprocket Assembly
16	102-058	1	Shear Sprocket
17	134-893	4	Tube; Shear Sleeve (Welded into Sprocket & Hub)
18	102-064	1	Shear Hub
19	134-481	1	Bronze Bushing (Pressed into Hub)
20	172-368	1	Retainer Plate
21	171-989	1	Snap Ring; 4" External
22	170-168	2	Shear Bolt; 1/2" x 3" Grade 5
23	170-042	2	Nut; 1/2" Lock
24	102-063	1	Shield; Rear
25	170-950	1	Rubber Latch
26	171-935	6 Ft	Foam Seal
27	134-892	1	Retainer Plate



**SPLASH GUARD & AUGER PARTS**

8030-TOW R101794

REF	PART NO	QTY	DESCRIPTION
1	102-051	1	Lower Auger Assembly
2	102-053	1	Rear Plug Assembly
3	102-055	1	Front Plug Assembly
4	134-783	7	Flighting; 3/8" x 24" x 6-1/2" x 24" LH (6-1/2" Sections Required)
5	134-897	4	Flighting Support Bar
6	102-056	6	Shear Paddle Assembly
7	171-802	6	Paddle Shear Bolt; 1/2" x 2" (Gr. 5)
8	170-042	6	Paddle Shear Nut; 1/2" Lock
9	134-835	6	Paddle Mount Lug
10	102-050	1	Upper Auger Assembly
11	102-052	1	Front Plug Assembly
12	102-054	1	Rear Plug Assembly
13	134-784	7	Flighting; 3/8" x 24" x 6-1/2" x 24" RH (6-1/2" Sections Required)
14	134-897	6	Flighting Support Bar
15	134-783	1	Flighting; 3/8" x 24" x 6-1/2" x 24" LH (1 Section)
16	102-060	4	Paddle Assembly
17	133-556	1	Splash Guard Side (RH Front & LH Rear)
18	133-557	1	Splash Guard Side (LH Front & RH Rear)
19	134-861	1	Splash Guard End; 5/16 x 1" Bolt, LW, Nut (7 ea), FW (14 ea)
20	134-860	1	End Panel Extension; 5/16" x 1" Bolt, LW, Nut (3 ea), FW (6 ea)
21	134-890	2	Wood Rail Mtg Hrd: 3/8" x 4-1/2" Carriage Bolt & Nut (6 ea), 3/8" x 2-1/2" Lag Bolt & FW (2 ea)





(PTO parts are used on units, Serial Number 990 and after.)

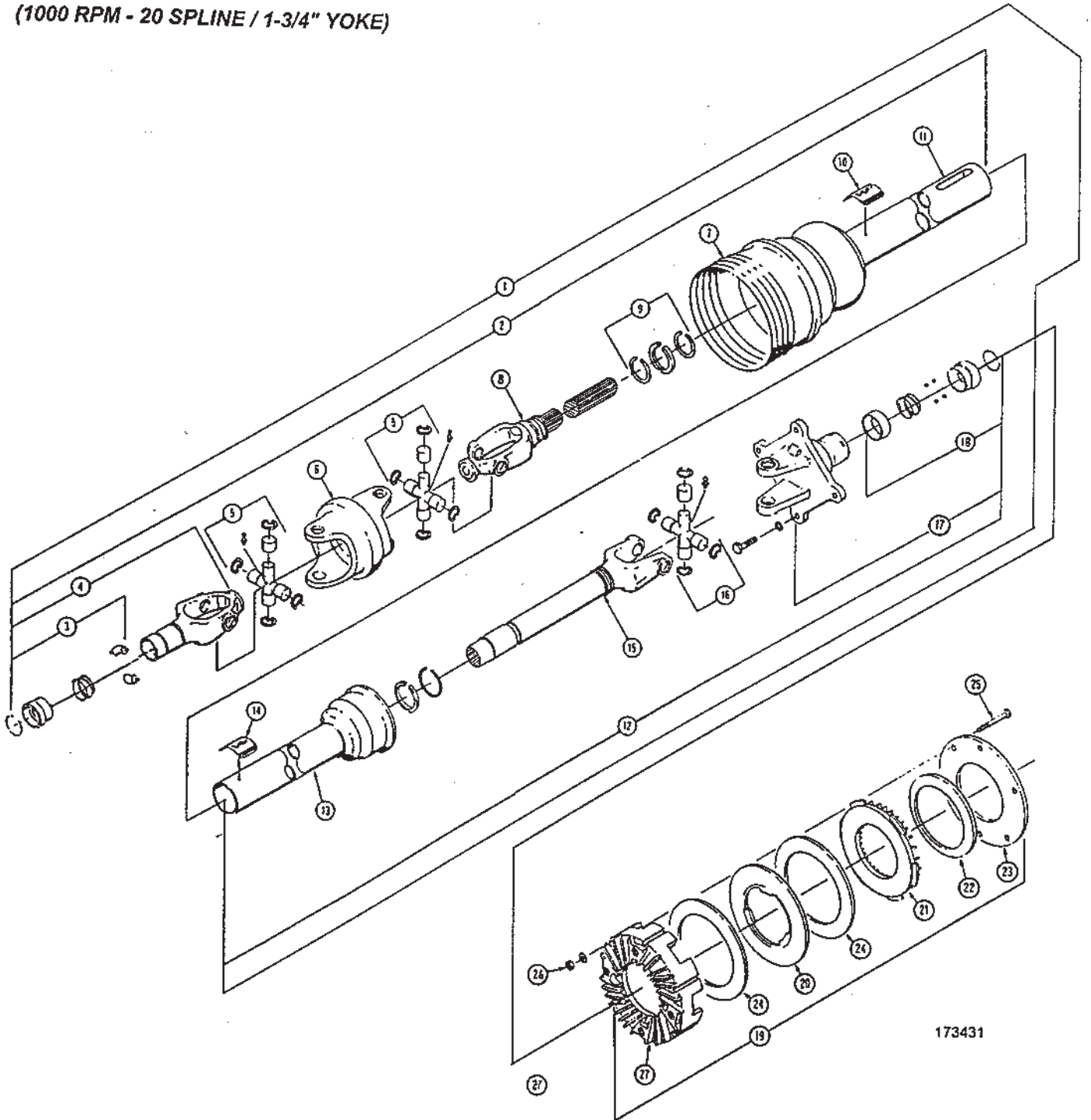
**PTO DRIVELINE (internal spline shaft) & FRICTION CLUTCH****(1000 RPM - 21 SPLINE / 1-3/8" YOKE)**

REF	PART NO	QTY	DESCRIPTION
1	173-424	1	PTO Assembly 35R 1000 RPM ( <i>Less Clutch Pack</i> )
2	173-429	1	PTO Outer Joint and Shaft Half with Shield
3	171-544	1	Spring Slide Lock Repair Kit
4	172-992	1	Slide Lock Yoke Assembly ( <i>1-3/8"</i> )
5	172-852	2	Cross and Bearing Kit
6	172-303	1	Center Housing
7	172-304	1	Bell Housing with Nylon Centralizer
8	173-425	1	Yoke and Shaft Assembly
9	170-220	2	Nylon Repair Kit
10	171-550	1	Safety Decal
11	172-848	1	Outer Shield
12	173-430	1	Inner Joint and Tube Half with Shield
13	172-847	1	Inner Shield
14	171-799	1	Safety Decal
15	173-426	1	Yoke Tube and Slip Sleeve
16	170-776	1	Cross and Bearing Kit
17	173-203	1	Clutch Hub
18	173-199	1	Friction Clutch Assembly; 15,000
19	173-202	1	Clutch Housing; Mtg Hrd: 5/16" x 1" bolt ( <i>grade 5</i> )
20	173-206	1	Separator Plate
21	173-204	1	Pressure Plate
22	173-208	1	Spring - ( <i>color yellow</i> )
23	173-205	1	Compression Plate
24	172-860	2	Friction Disk
25	170-369	6	5/16" x 2-1/2" Bolt ( <i>grade 5</i> )
26	170-119	6	5/16" Nut ( <i>grade 5</i> )

(PTO parts are used on units, Serial Number 1076 and after.)

**PTO DRIVELINE (Internal spline shaft) & FRICTION CLUTCH**

(1000 RPM - 20 SPLINE / 1-3/4" YOKE)



173431

(PTO parts are used on units, Serial Number 1076 and after.)

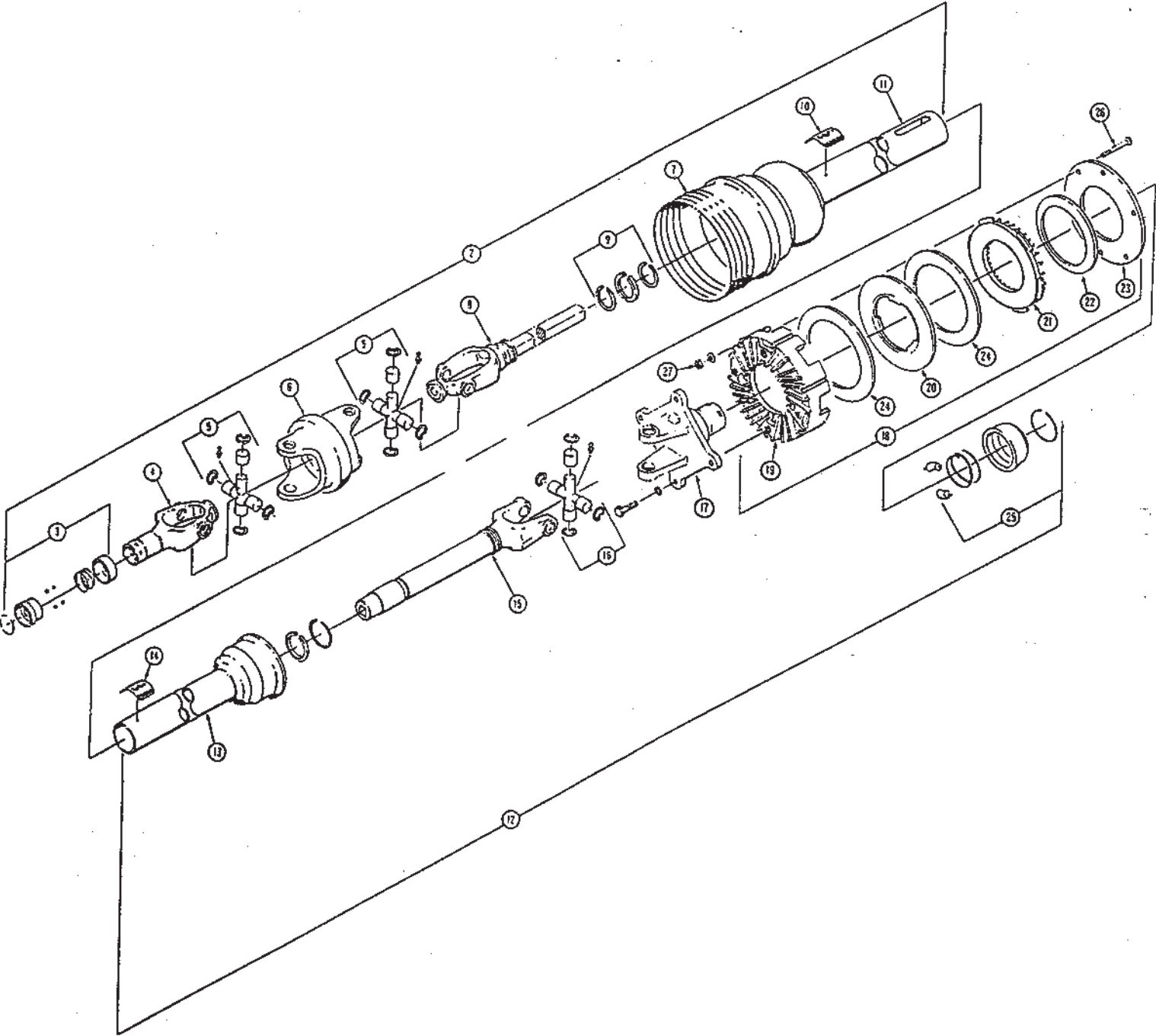
**PTO DRIVELINE (internal spline shaft) & FRICTION CLUTCH****(1000 RPM - 20 SPLINE / 1-3/4" YOKE)**

REF	PART NO	QTY	DESCRIPTION
1	173-431	1	PTO Assembly 35R 1000 RPM <i>(Less Clutch Pack)</i>
2	173-432	1	PTO Outer Joint and Shaft Half with Shield
3	172-496	1	Spring Slide Lock Repair Kit
4	172-851	1	Slide Lock Yoke Assembly <i>(1-3/4")</i>
5	172-852	2	Cross and Bearing Kit
6	172-303	1	Center Housing
7	172-304	1	Bell Housing with Nylon Centralizer
8	173-434	1	Yoke and Shaft Assembly
9	170-220	2	Nylon Repair Kit
10	171-550	1	Safety Decal
11	172-916	1	Outer Shield
12	173-433	1	Inner Joint and Tube Half with Shield
13	172-994	1	Inner Shield
14	171-799	1	Safety Decal
15	173-435	1	Yoke Tube and Slip Sleeve
16	170-776	1	Cross and Bearing Kit
17	173-203	1	Clutch Hub
18	172-496	1	Spring Slide Lock Repair Kit
19	173-199	1	Friction Clutch Assembly; 15,000
20	173-206	1	Separator Plate
21	173-204	1	Pressure Plate
22	173-208	1	Spring - <i>(color yellow)</i>
23	173-205	1	Compression Plate
24	172-860	2	Friction Disk
25	170-369	6	5/16" x 2-1/2" Bolt <i>(grade 5)</i>
26	170-119	6	5/16" Nut <i>(grade 5)</i>
27	173-202	1	Clutch Housing; Mtg Hrd: 5/16" x 1" bolt <i>(grade 5)</i>

(PTO parts are used on units, Serial Number 765 to 989)

**PTO DRIVELINE & FRICTION CLUTCH**

(1000 RPM - 21 SPLINE / 1-3/8" YOKE)



(PTO parts are used on units, Serial Number 765 to 989)

**PTO DRIVELINE & FRICTION CLUTCH**

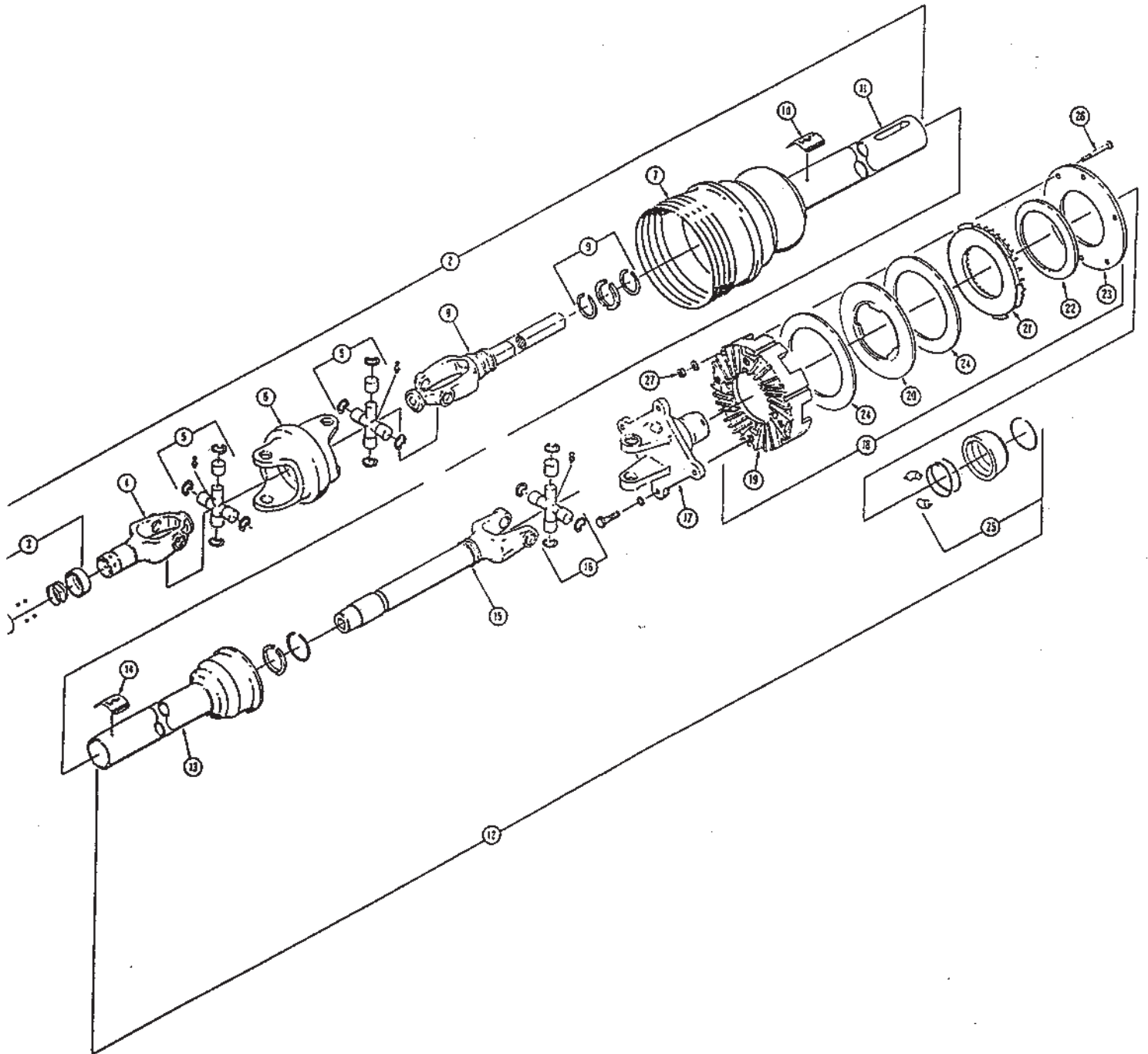
(1000 RPM - 21 SPLINE / 1-3/8" YOKE)

REF	PART NO	QTY	DESCRIPTION
1	173-196	1	80° CV-PTO Assembly ( <i>Less Clutch Pack</i> )
2	172-843	1	Outer Joint and Shaft Half with Guard
3	171-544	1	Spring Slide Lock Repair Kit
4	172-992	1	Slide Lock Yoke Assembly (1-3/8")
5	172-852	2	Cross and Bearing Kit
6	172-303	1	Center Housing
7	172-304	1	Bell Housing with Nylon Centralizer
8	172-846	1	Yoke and Shaft Assembly
9	170-220	2	Nylon Repair Kit
10	171-550	1	Safety Decal
11	172-848	1	Outer Guard
12	173-200	1	Inner Joint and Tube Half with Guard
13	172-847	1	Inner Guard
14	171-799	1	Safety Decal
15	172-845	1	Yoke Tube and Slip Sleeve
16	170-776	1	Cross and Bearing Kit
17	173-203	1	Clutch Hub
18	173-199	1	Friction Clutch Assembly; 15,000
19	173-202	1	Clutch Housing' Mtg Hrd: 5/16" x 1" bolt ( <i>grade 5</i> )
20	173-206	1	Separator Plate
21	173-204	1	Pressure Plate
22	173-208	1	Spring - ( <i>color yellow</i> )
23	173-205	1	Compression Plate
24	172-860	2	Friction Disk
25	171-544	1	Auto Lock Repair Kit
26	170-369	6	5/16" x 2-1/2" Bolt ( <i>grade 5</i> )
27	170-119	6	5/16" Nut ( <i>grade 5</i> )

(PTO parts are used on units, Serial Number 765 to 1075.)

**PTO DRIVELINE & FRICTION CLUTCH**

(1000 RPM - 20 SPLINE / 1-3/4" YOKE)



(PTO parts are used on units, Serial Number 765 to 1075.)

**PTO DRIVELINE & FRICTION CLUTCH**

(1000 RPM - 20 SPLINE / 1-3/4" YOKE)

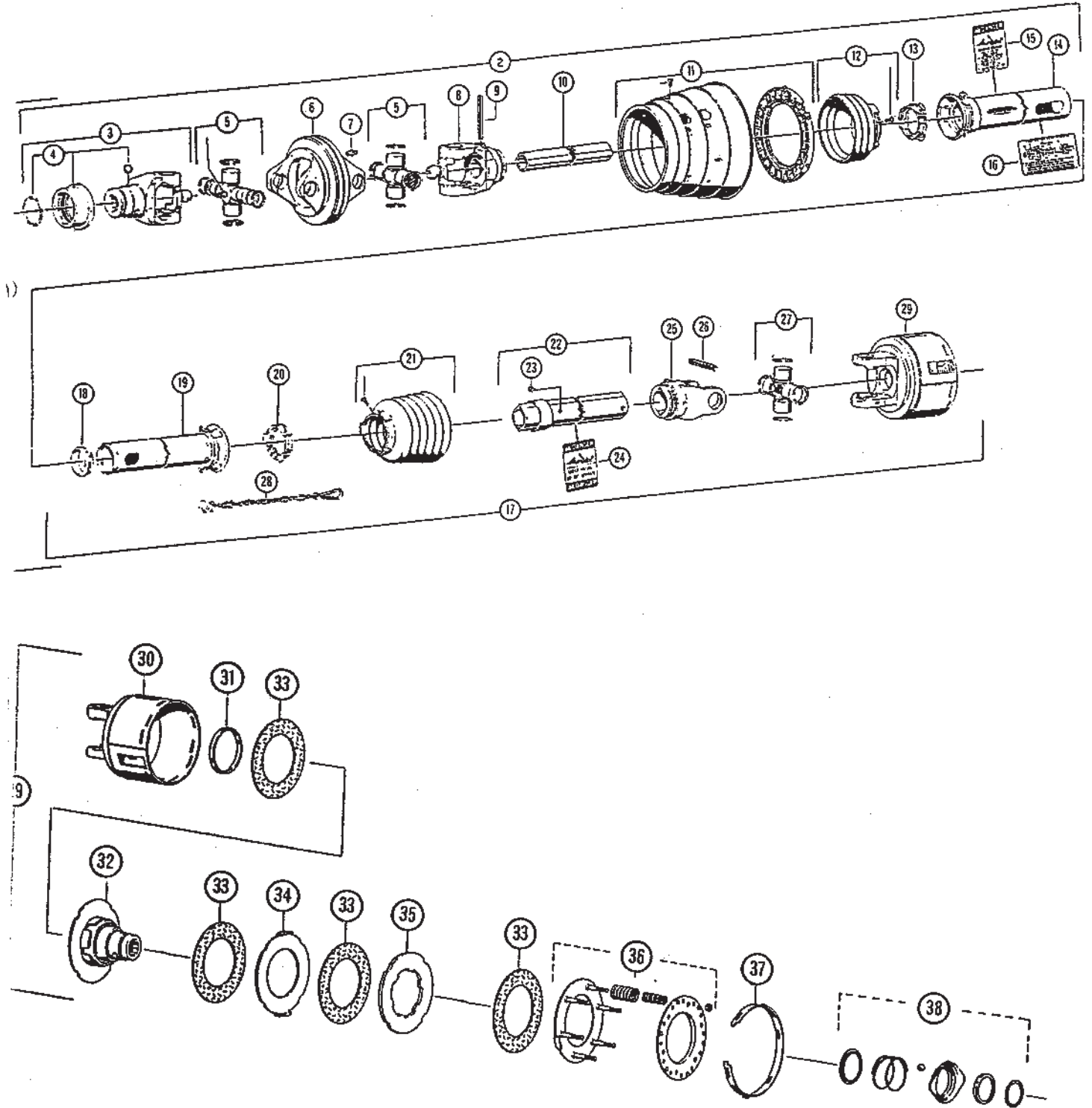
REF	PART NO	QTY	DESCRIPTION
1	173-197	1	80° CV-PTO Assembly ( <i>Less clutch pack</i> )
2	172-841	1	Outer Joint and Shaft Half with Guard
3	172-496	1	Spring Slide Lock Repair Kit
4	172-851	1	Slide Lock Yoke Assembly (1-3/4")
5	172-852	2	Cross and Bearing Kit
6	172-303	1	Center Housing
7	172-304	1	Bell Housing with Nylon Centralizer
8	172-915	1	Yoke and Shaft Assembly
9	170-220	2	Nylon Repair Kit
10	171-550	1	Safety Decal
11	172-916	1	Outer Guard
12	173-201	1	Inner Joint and Tube Half with Guard
13	172-994	1	Inner Guard
14	171-799	1	Safety Decal
15	172-993	1	Yoke Tube and Slip Sleeve
16	170-776	1	Cross and Bearing Kit
17	173-203	1	Clutch Hub
18	173-199	1	Friction Clutch Assembly; 15,000
19	173-202	1	Clutch Housing; Mtg Hrd: 5/16" x 1" bolt ( <i>grade 5</i> )
20	173-206	1	Separator Plate
21	173-204	1	Pressure Plate
22	173-208	1	Spring - ( <i>color yellow</i> )
23	173-205	1	Compression Plate
24	172-860	2	Friction Disk
25	171-544		Auto Lock Repair Kit
26	170-369	6	5/16" x 2-1/2" Bolt ( <i>grade 5</i> )
27	170-119	6	5/16" Nut ( <i>grade 5</i> )

(PTO parts are used on units, Serial Number 764 and before.)

8030-TOW R031097

### PTO DRIVELINE & FRICTION CLUTCH

Waltershid Constant Velocity PTO





(PTO parts are used on units, Serial Number 164 and before.)

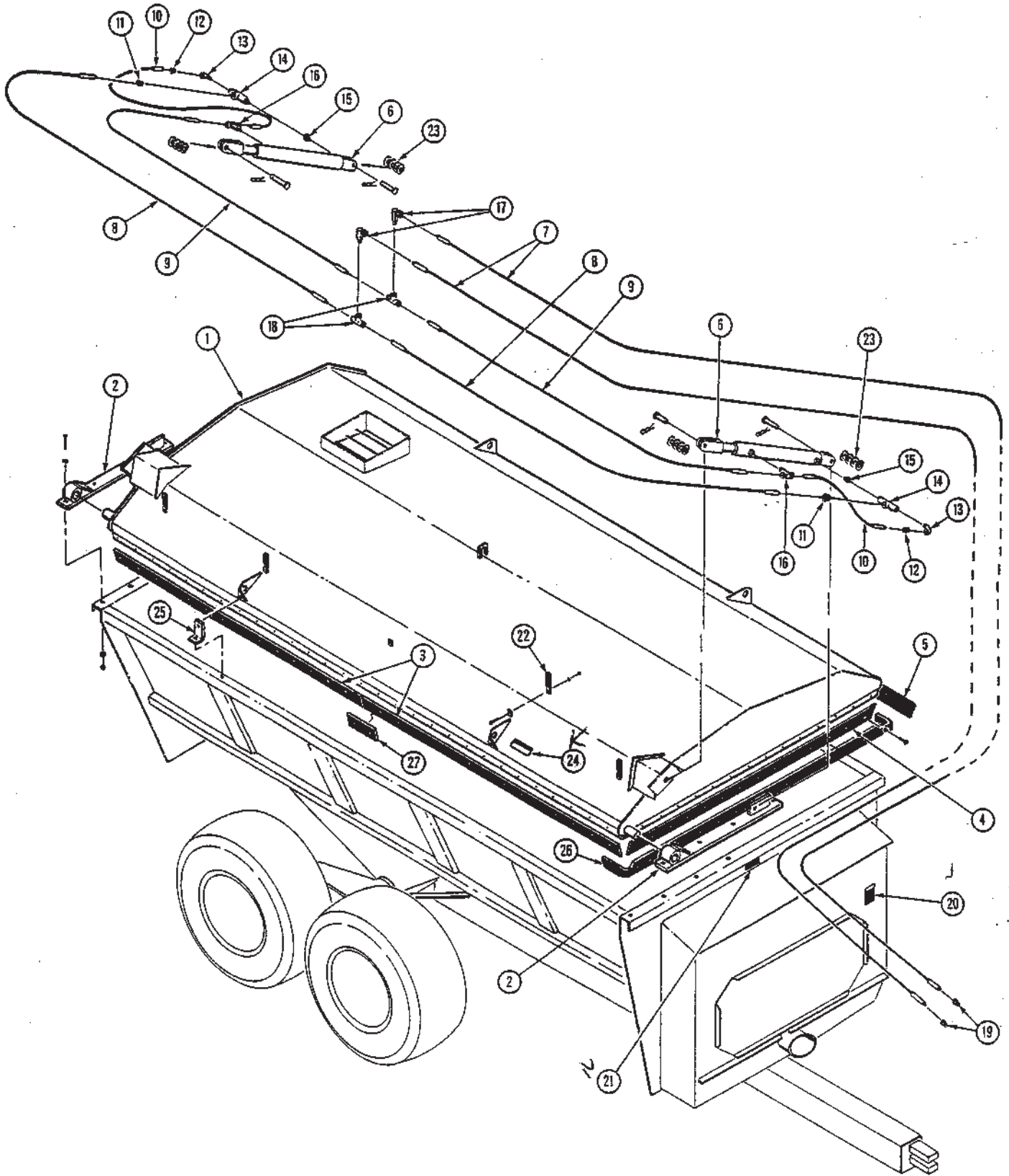
**PTO DRIVELINE & FRICTION CLUTCH**

## Waltershied Constant Velocity PTO

REF	PART NO	QTY	DESCRIPTION
1	172-211	1	Wide Angle PTO Drive Shaft W/Shielding (1000 RPM)
2	172-404	1	Male Wide Angle Half Shaft W/Shielding (1000 RPM)
3	172-203	1	End Yoke (1000 RPM) 1-3/8" Option
	172-224	1	End Yoke (1000 RPM) 1-3/4" Option
4	172-028	1	Quick Disconnect Kit
5	172-204	2	Cross & Bearing Kit
6	172-202	1	CV Double Yoke
7	172-208	1	Grease Zerk
8	172-201	1	Inboard Yoke
9	171-983	1	Spring Pin
10	172-196	1	Inner Profile
11	172-205	1	CV Cone & Bearing Assembly; Mtg Hrd: #172-210 Screw (2 ea)
12	172-206	1	Shield Cone; Three Rib; Mtg Hrd: #172-210 Screw (3 ea)
13	171-979	1	Bearing Ring
14	172-199	1	Outer Shield Tube W/Cap
15	171-550	1	Decal; Danger - Rotating Driveline
16	172-227	1	Decal; Lubrication Requirements
17	172-223	1	Female Half Shaft With Shielding
18	172-207	1	Support Bearing
19	172-198	1	Inner Shield Tube W/Cap
20	171-979	1	Bearing Ring
21	172-030	1	Shield Cone; Six Rib; Mtg Hrd: #172-210 Screw (3 ea)
22	172-197	1	Outer Profile & Sleeve
23	172-209	1	Grease Zerk
24	171-799	1	Decal; Danger, Shield Missing...
25	172-033	1	Inboard Yoke
26	171-983	1	Spring Pin
27	171-980	1	Cross & Bearing Kit
28	172-040	1	Safety Chain
29	***_***	1	Friction Clutch, Can't Be Purchased Assembled
30	172-037	1	Clutch Housing
31	172-038	1	Ring
32	172-036	1	Hub & Drive Plate
33	171-977	4	Friction Disk
34	171-976	1	Drive Plate
35	171-975	1	Drive Plate
36	171-974	1	Spring Pack
37	171-978	1	Setting Ring
38	172-029	1	Quick Disconnect Flange Kit

**TOP LID PARTS**

8030-TOW R031097



**TOP LID PARTS**

8030-TOW R031097

REF	PART NO	QTY	DESCRIPTION
1	102-285	1	Top Lid Assembly
2	102-073	2	Cylinder Mount - Pivot Mtg Hrd: 1/2" x 1-1/2" Bolt, LN (4 ea), FW (8 ea)
3	134-943	2	Belt Seal ( <b>Pivot Side Only</b> ); 3-1/2" x 95" Mtg Hrd: 1/4" x 3/4" Truss Head Bolt, 1/4" Nut
4	134-944	2	Belt Seal ( <b>Front &amp; Rear</b> ); 3-1/2" x 87" Mtg Hrd: 1/4" x 3/4" Truss Head Bolt, 1/4" Nut
5	134-942	2	Belt Seal ( <b>Load Side Only</b> ); 3-1/2" x 95" Mtg Hrd: 1/4" x 1" Truss Head Bolt, 1/4" Nut
6	170-161	2	Hydraulic Cylinder ( <i>Includes clevis pin &amp; hairpin clip</i> )
7	171-460	2	Hydraulic Hose; 1/4" x 294" OAL
8	170-466	2	Hydraulic Hose; 1/4" x 138" OAL
9	171-998	2	Hydraulic Hose; 1/4" x 117" OAL
10	172-794	2	Hydraulic Hose; 1/4" x 20" OAL
11	170-233	2	Swivel Adapter; 3/8"
12	171-251	2	Swivel Adapter; 1/4" To 3/8" Straight
13	172-809	2	Fitting; 90 Deg. Street Elbow, 1/4"
14	172-806	2	Pilot Operated Check Valve
15	172-808	2	Flow Restrictor, 3/8"
16	172-807	2	Swivel Tee Adapter, 3/8"
17	171-030	2	Swivel Adapter; 3/8" x 90 Deg.
18	171-442	2	Tee Adapter; 3/8"
19	170-235	2	Reducer Fitting; 1/2" To 3/8"
20	172-599	1	Decal; Danger - Overhead Wires
21	172-787	2	Decal; Warning - Crushing Under Top. ( <b>Front &amp; Rear</b> )
22	171-782	4	Hose Clamp; Mtg Hrd: 5/16" x 1" Bolt, LW, Nut
23	170-122	A/R	Spacer Washers (Approximately 16 Req'd)
24	172-821	1	Decal; Caution - Do Not Lift Here
25	134-941	4	Hold Down Bracket; Mtg Hrd: 1/2" x 1-1/4" Bolt (1 ea); 1/2" x 1-3/4" Bolt (1 ea); FW, LW, Nut (2 ea)
26	134-994	2	Corner Belt Seal, ( <b>Front &amp; Rear</b> ); 3-1/2" x 98"; Mtg Hrd: 1/4" x 1" Truss Head Bolt & Nut
27	134-995	1	Splice Seal, ( <b>Pivot Side Only</b> ), 3-1/2" x 7"; Mtg Hrd: 1/4" x 1" Truss Head Bolt & Nut

**DECAL & PAINT LIST**

8030-TOW R031097

The following decals are listed below for your convenience.  
Use the operator's manual for decal location, part number and ordering.

**Unit Decals:**

PART NO	QTY	DESCRIPTION
172-765	1	DECALS; Complete Set: 8030-TOW
171-820	4	DANGER; Rotating Auger...
171-915	2	DANGER; Shield Missing...
172-599	1	DANGER; Overhead Wires...
171-821	2	DANGER; Material Discharges...
172-171	1	CAUTION; Read Operators Manual...
172-821	1	CAUTION; Do Not Lift...
170-849	2	WARNING; Beware of Power Driven Parts...
172-787	1	WARNING; Crushing Under Top...
171-913	1	WARNING; Do Not Operate...
170-490	1	Engage PTO Slowly
171-712	1	Retighten Set Screws
171-992	2	Red Reflector
171-993	1	Friction Clutch Adjustment
172-492	2	"8030"
172-756	2	"ProTwin"
172-757	2	"SLINGER"
171-902	2	"KNIGHT INDUSTRIAL DIV."
170-893	1	Slow Moving Vehicle
171-304	1	Door Height Indicator
172-785	2	Logo; Knight
172-759	1	Patent Numbers

**PTO Driveline Decals:**

172-238	1	DANGER; PTO Caution (Waltersheid)
171-609	1	WARNING; Do Not Exceed 1000 RPM

**Paint:**

170-367	Knight Red, Aerosol Can
170-814	Knight Red, Quart Can
170-815	Knight Red, Gallon Can
172-760	Knight Gray, Aerosol Can
172-761	Knight Gray, Quart Can
172-762	Knight Gray, Gallon Can

**OPTIONAL KITS**

8030-TOW R031097

**Safety Chain For Towed Equipment P/N 172-041**

This chain is designed to retain the connection between the towing and towed machines in the event of separation of the primary attaching system. It should be used whenever the unit is transported on the highway.

**Light Kit For Towed Equipment**

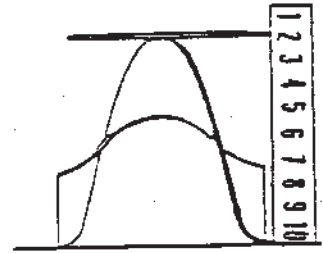
This light kit is designed for lighting and marking of agricultural field equipment whenever the equipment is on a highway. This kit is pre-assembled, and it includes mounting hardware.

<b>PART NO</b>	<b>QTY</b>	<b>DESCRIPTION</b>
300-007	1	Complete Light Kit - Assembled
172-173	2	Red And Amber Light Assembly
172-174	36'	4 Conductor Wire
172-175	1	4 Pin In-Line Connector (Male & Female)
<b>Options:</b>		
172-110	1	7 Pin Female Connector

## FLIGHTING TERMS AND DIMENSIONS

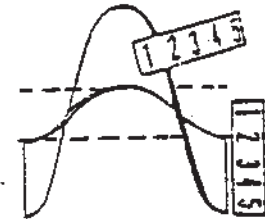
8030-TOW R031097

**OUTSIDE DIAMETER:** Outside diameter can be determined by laying the flight on a flat surface and measuring from the top to the base. **NOTE:** Dimensions may vary slightly.

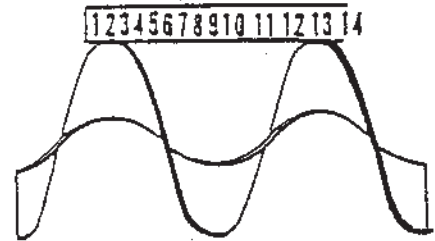


**THICKNESS:** Thickness of flighting can be determined with any linear measuring instrument.

**INSIDE DIAMETER:** To find the inside diameter of flight, measure the distance from the inside of the flight to the peak. Then multiply the dimension by two and subtract the answer from the outside diameter dimension.



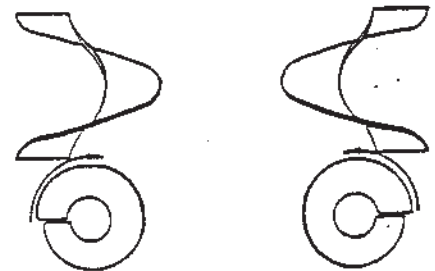
**PITCH:** Pitch is the dimension from one peak to the next, measured along the axis of the shaft. The term full pitch means that the outside diameter and the pitch are the same.



**RIGHT HAND AND LEFT HAND FLIGHTING:** As you look at the face of flighting and it is slanting downward to the right; it is right hand and if it is slanting downward to the left; it is left hand.

Flighting dimensions are written in a series similar to the following:

1/4" - 4" - 14" - 14"  
Thick - I.D. - O.D. - Pitch



**HARDWARE PART NUMBER LISTING**

8030-TOW R031097

All hex head bolts up to and including 7/16" dia are grade 5 unless otherwise specified. All fasteners are NC thread unless otherwise specified.

**HEX NUTS AND WASHERS**

SIZE	Hex Nuts	Lock Nuts	Jam Nuts	Flat Washer	Lock Washer
#10-32	171-606			171-525	171-605
1/4"	170-125	170-069	171-386	170-301	170-124
5/16"	170-119	170-028		170-127	170-118
3/8"	170-007	170-047	170-022	170-244	170-006
7/16"	170-062	170-239	170-046	170-138	170-061
1/2"	170-004	170-042	170-036	170-040	170-003
5/8"	170-011	170-031	170-037	170-066	170-010
3/4"	170-017	170-185	170-035	170-015	170-016
7/8"	171-776			170-131	172-003
1"				170-122	171-021

**HEX HEAD BOLTS**

Bolt Size	Part No
1/4 x 3/4	170-803
1/4 x 7/8	171-094
1/4 x 1	170-310
1/4 x 1-1/2	170-068
1/4 x 2-3/4	171-203
1/4 x 3	171-403
5/16 x 5/8	170-532
5/16 x 3/4	170-262
5/16 x 7/8	170-256
5/16 x 1	170-027
5/16 x 1-1/4	170-188
5/16 x 1-1/2	170-372
5/16 x 1-3/4	170-263
5/16 x 2	170-376
5/16 x 2-1/2	170-369
5/16 x 3	170-295
5/16 x 3-1/4	171-639
5/16 x 4 (Tap Bolt)	170-293
5/16 x 4-1/2	170-294
3/8 x 3/4	170-439
3/8 x 7/8	170-268
3/8 x 7/8 (soc. hd. capscrew)	172-044
3/8 x 1	170-054
3/8 x 1 (RH. Machine screw)	170-347
3/8 x 1-1/4	170-005
3/8 x 1-1/2	170-368
3/8 x 1-3/4	172-383
3/8 x 2	170-245
3/8 x 2-1/4	170-320
3/8 x 2-1/4 (Round Head)	170-375
3/8 x 2-1/2	170-257

3/8 x 2-1/2 (Full thread)	170-128
3/8 x 3	170-380
3/8 x 3-1/2	170-292
3/8 x 4	170-877
3/8 x 4-1/2	170-519
3/8 x 4-1/2 (Gr 5-Black ox.)	171-318
3/8 x 5	170-493
3/8 x 5-1/2	170-593
3/8 x 6-1/2	171-291
7/16 x 3/4	170-265
7/16 x 1	170-032
7/16 x 1-1/4	170-354
7/16 x 1-1/2	170-059
7/16 x 2	170-356
7/16 x 2-1/2	170-379
7/16 x 3	170-270
7/16 x 5-1/2	170-377
7/16 x 6	170-378
1/2 x 3/4	171-252
1/2 x 1	170-149
1/2 x 1-1/4	170-373
1/2 x 1-1/2	170-002
1/2 x 1-3/4	171-774
1/2 x 2	170-050
1/2 x 2 (cap screw GR 5)	171-802
1/2 x 2-1/4	172-387
1/2 x 2-1/2	170-319
1/2 x 2-1/2 (tap bolt)	171-099
1/2 x 2-1/2 (Grade 5)	170-885
1/2 x 2-3/4	172-007
1/2 x 3	170-168
1/2 x 3 (Grade 5)	172-490
1/2 x 3-1/2	170-167

1/2 x 4	171-509
1/2 x 4-1/2	171-573
1/2 x 5	171-412
1/2 x 8-1/2	170-504
1/2 x 11	170-506
5/8 x 1 (G.5)	171-087
5/8 x 1-1/4	171-366
5/8 x 1-1/2	170-153
5/8 x 1-3/4 (Tap Bolt- Gr 5)	170-030
5/8 x 2 (Grade 5)	170-009
5/8 x 2 (Tap Bolt)	171-772
5/8 x 2-1/2 (Tap Bolt)	170-129
5/8 x 2-1/2	172-381
5/8 x 3	170-258
5/8 x 3-1/2	170-038
5/8 x 2-3/4	172-356
5/8 x 4	170-371
5/8 x 4-1/2	170-067
5/8 x 5	170-065
5/8 x 5-1/2 (Grade 5)	172-421
5/8 x 6	170-381
5/8 x 9-1/2	171-039
3/4 x 2	170-058
3/4 x 2 (Grade 5)	171-768

**HEX HEAD BOLTS CONT....**

3/4 x 2 (Grade 8) .....	171-877
3/4 x 2-1/4 .....	171-275
3/4 x 2-1/2 .....	170-374
3/4 x 3 .....	170-014
3/4 x 3-1/2 .....	170-195
3/4 x 3-1/2 (Grade 8) .....	171-899
3/4 x 4 .....	170-419
3/4 x 4-1/2 (Grade 5) .....	170-846
3/4 x 6 (Grade 5) .....	171-116

**TRUSS HEAD BOLTS**

#6-32 x 3/4 .....	172-416
#8-32 x 1-1/2 .....	171-210
#10-32 x 3/4 .....	171-604
#10-32 x 1 .....	172-882
1/4 x 1/2 .....	170-123
1/4 x 3/4 .....	170-193
1/4 x 1 .....	170-194
5/16 x 1 (Grade 5) .....	170-117

**CARRIAGE BOLTS**

1/4 x 1-1/4 .....	170-311
1/4 x 1-1/2 .....	170-355
1/4 x 2 .....	170-299
1/4 x 2-1/2 .....	171-394
1/4 x 2-3/4 .....	170-508
1/4 x 3 .....	170-509
5/16 x 1 .....	170-370
5/16 x 1-1/2 .....	170-296
5/16 x 2-1/2 .....	171-395
5/16 x 5-1/2 .....	170-494
3/8 x 3-1/2 .....	171-283
3/8 x 4-1/2 .....	170-191
3/8 x 5 .....	170-495
3/8 x 6-1/2 .....	171-174
3/8 x 8 .....	170-297
3/8 x 13-1/2 .....	170-300
1/2 x 6-1/2 .....	171-098
1/2 x 9 .....	171-255

**ZERKS**

1/4-28 .....	170-023
1/4-28 - 45 .....	170-148
1/4-28 - 90 .....	170-049
1/4 NPT .....	170-277
1/8 NPT .....	170-865
1/8 NPT-45 .....	170-864
1/8 NPT-65 .....	170-215
1/8 NPT-90 .....	170-866

**COTTER PINS**

1/16 x 1/2 .....	170-992
3/32 x 3/4 .....	170-364
1/8 x 3/4 .....	170-177
1/8 x 1 .....	170-045
1/8 x 1-1/4 .....	170-033
1/8 x 1-1/2 .....	170-382

5/32 x 1 .....	170-421
5/32 x 1-1/2 .....	170-236
5/32 x 3 .....	170-135

3/16 x 1-1/4 .....	170-991
3/16 x 1-1/2 (linch pin) .....	170-800
3/16 x 2 .....	170-115

7/32 x 1-3/4 .....	171-834
--------------------	---------

1/4 x 1-1/2 .....	170-521
1/4 x 2 .....	170-056

**SET SCREWS**

1/4 x 1/4 .....	170-247
5/16 x 5/16 .....	170-248
5/16 x 1/2 .....	170-254
5/16 x 1/4 NF .....	170-993
5/16 x 5/16 NF .....	170-825
5/16 x 5/8 NF .....	170-456

3/8 x 1/4 .....	170-856
3/8 x 3/8 .....	170-151
3/8 x 1/2 (nylock) .....	170-857
3/8 x 3/4 (sq head) .....	170-289
3/8 x 3/4 (sq hd drilled) .....	170-290
3/8 x 1 .....	170-021
3/8 x 1/2 NF .....	171-469

7/16 x 7/16 .....	170-288
7/16 x 1 (sq head) .....	170-147

1/2 x 5/8 .....	170-249
1/2 x 1 .....	170-438
1/2 x 1-1/4 (half dog point) .....	171-085

5/8 x 5/8 .....	170-250
-----------------	---------

3/4 X 3/4 (knurled) .....	170-251
---------------------------	---------

**ROLLER CHAIN**

**CONNECTOR LINKS**

Size .....	Part No
#50-2R .....	170-094
#50 .....	170-088
#60-2R .....	170-095
#60 .....	170-089
#60H .....	171-102
#80 .....	170-090
#80H .....	170-821
#100 .....	170-091
#100H .....	171-969
#120 .....	170-092
#140 .....	170-093
#160 .....	170-888

**OFFSET LINKS**

#50 .....	170-096
#50-Double roller .....	170-102
#60-Double roller .....	170-103
#60 .....	170-097
#80 .....	170-098
#80H .....	170-820
#100 .....	170-099
#120 .....	170-100
#140 .....	170-101
#160 .....	170-887

**ROLLER LINKS**

#50 .....	171-415
#60 .....	171-416
#80 .....	171-417
#80H .....	170-795
#100 .....	171-418
#100H .....	172-146
#120 .....	171-419
#140 .....	171-420
#160 .....	172-421



**PART NUMBER INDEX**

8030-TOW R031097

101-548	7
101-549	7
101-586	7
101-636	7
101-761	3
101-911	11
101-911	3,11
101-988	7
102-044	11
102-046	9
102-047	9
102-048	9
102-049	9
102-050	13
102-051	13
102-052	13
102-053	13
102-054	13
102-055	13
102-056	13
102-057	11
102-058	11
102-059	7
102-060	13
102-061	7
102-063	11
102-064	11
102-065	9
102-066	9
102-069	5
102-072	17
102-073	17
130-369	3
133-277	7
133-278	11
133-376	3
133-556	13
133-557	13
133-899	11
134-086	5,11
134-155	3
134-481	11
134-602	3
134-666	7
134-780	3
134-782	3
134-783	13
134-784	13
134-785	7
134-786	3
134-787	3
134-788	3
134-789	3
134-790	3
134-792	11
134-824	9
134-831	7
134-834	3
134-835	13
134-840	5
134-842	3
134-843	9
134-860	13
134-861	13
134-874	7
134-875	7
134-876	3
134-878	7
134-883	3
134-889	3
134-890	13
134-891	5
134-893	11
134-897	13
134-898	3
134-906	3
134-908	5
134-919	5
134-941	17
134-942	17
134-943	17
134-944	17
134-981	5
134-994	17
134-995	17
135-604	5
170-002	21

170-003	21
170-004	7
170-004	21
170-005	21
170-006	21
170-007	21
170-008	3,7
170-009	21
170-010	21
170-011	21
170-014	21
170-015	21
170-016	21
170-017	21
170-021	22
170-022	21
170-023	22
170-027	21
170-028	21
170-030	7,21
170-031	21
170-032	21
170-033	22
170-035	21
170-036	21
170-037	7,21
170-038	21
170-040	21
170-042	11,13,21
170-045	22
170-046	21
170-047	21
170-049	22
170-050	21
170-052	3
170-054	21
170-056	9,22
170-058	21
170-059	21
170-061	21
170-062	21
170-065	21
170-066	21
170-067	21
170-068	21
170-069	21
170-073	7
170-074	7
170-075	7
170-088	22
170-089	22
170-090	22
170-091	22
170-092	22
170-093	22
170-094	22
170-095	22
170-096	22
170-097	22
170-098	22
170-099	22
170-100	22
170-101	22
170-103	22
170-115	7
170-115	22
170-117	22
170-118	21
170-119	21
170-122	17,21
170-123	22
170-124	21
170-125	9
170-125	21
170-127	21
170-131	21
170-135	22
170-138	21
170-147	22
170-148	22
170-151	3,22
170-161	17
170-168	11,21
170-177	22
170-185	21
170-188	21
170-191	22

170-193	22
170-194	22
170-195	21
170-215	22
170-233	17
170-235	17
170-236	9,22
170-239	21
170-244	21
170-245	21
170-247	22
170-248	22
170-249	3,22
170-250	22
170-254	22
170-256	21
170-257	21
170-258	21
170-262	21
170-263	21
170-265	21
170-268	21
170-270	21
170-277	22
170-288	22
170-289	22
170-290	22
170-292	21
170-293	21
170-294	21
170-295	21
170-297	22
170-301	21
170-310	5
170-310	21
170-319	7,21
170-354	21
170-355	22
170-356	21
170-364	22
170-365	3
170-367	18
170-368	21
170-369	21
170-370	22
170-371	21
170-372	21
170-373	21
170-374	21
170-376	21
170-377	21
170-378	21
170-379	21
170-380	21
170-381	21
170-382	22
170-419	21
170-421	22
170-438	22
170-439	21
170-445	11
170-456	22
170-466	17
170-471	7
170-478	5
170-490	18
170-493	21
170-495	22
170-509	9,22
170-519	21
170-521	22
170-532	21
170-579	5
170-593	21
170-607	11
170-795	22
170-800	5,11
170-803	21
170-814	18
170-815	18
170-820	22
170-821	22
170-825	22
170-835	3,7
170-845	5,11
170-846	21
170-849	18

170-856	22
170-857	22
170-864	22
170-865	5,9,22
170-866	22
170-877	21
170-887	22
170-888	22
170-893	18
170-919	9
170-920	9
170-921	9
170-922	9
170-926	9
170-927	9
170-928	9
170-934	11
170-950	11
170-991	22
170-992	22
170-993	22
171-021	21
171-030	17
171-039	21
171-045	5
171-085	22
171-087	21
171-094	21
171-098	22
171-102	22
171-116	21
171-149	21
171-174	22
171-203	21
171-210	22
171-251	17
171-252	21
171-255	22
171-275	21
171-283	22
171-291	21
171-304	18
171-362	9
171-366	21
171-393	5
171-394	22
171-395	22
171-403	21
171-412	21
171-415	22
171-416	22
171-417	22
171-419	22
171-420	22
171-442	17
171-460	17
171-464	7
171-469	22
171-509	21
171-525	21
171-550	15
171-573	21
171-586	7
171-604	22
171-605	21
171-606	21
171-609	18
171-610	9
171-611	9
171-612	9
171-613	9

**PART NUMBER INDEX**

8030-TOW R031097

171-614	9	172-484	5
171-615	9	172-485	3
171-639	21	172-489	3
171-712	18	172-492	18
171-764	11	172-599	17,18
171-772	21	172-751	5,11
171-782	17	172-752	7
171-799	15	172-756	18
171-802	13	172-757	18
171-814	9	172-759	18
171-820	18	172-760	18
171-821	18	172-761	18
171-877	21	172-762	18
171-900	21	172-765	18
171-902	18	172-772	7
171-913	18	172-785	18
171-915	18	172-787	17,18
171-919	5	172-794	17
171-929	5	172-806	17
171-930	11	172-807	17
171-935	5,11	172-808	17
171-969	22	172-809	17
171-972	5	172-821	17,18
171-974	15	172-822	5
171-975	15	172-823	5
171-976	15	172-884	5
171-977	15	180-630	5
171-978	15	300-007	19
171-979	15		
171-979	15		
171-980	15		
171-983	15		
171-989	3		
171-989	11		
171-990	3		
171-992	18		
171-993	18		
171-998	17		
172-003	21		
172-005	5		
172-024	5		
172-028	15		
172-029	15		
172-030	15		
172-033	15		
172-036	15		
172-037	15		
172-038	15		
172-040	15		
172-041	19		
172-110	19		
172-171	18		
172-173	19		
172-174	19		
172-175	19		
172-196	15		
172-197	15		
172-198	15		
172-199	15		
172-201	15		
172-202	15		
172-203	15		
172-204	15		
172-205	15		
172-206	15		
172-207	15		
172-208	15		
172-209	15		
172-210	15		
172-211	15		
172-223	15		
172-224	15		
172-227	15		
172-238	18		
172-288	3		
172-312	9		
172-355	3		
172-360	9		
172-361	9		
172-364	3		
172-381	21		
172-396	9		
172-404	15		
172-421	7		
172-422	7		
172-481	9		
172-483	3		

This page intentionally left blank.

## KNIGHT TRACKS

Item	P/N	Description	Qty
1.	93027	HHCS, 5/16 - 18 X 3/4, GR5	16
2.	58033	DUST CAP	4
3.	52059	GASKET, 58015 HUB	4
4.	93574	2 - 12 SLOTTED HEX NUT	4
5.	93700	PIN, COTTER, 5/16 X 3	4
6.	93650	FLAT WASHER, 2" I.D.	4
7.	58030	BEARING, OUTER CONE	4
8.	93553	NUT, 3/4 - 16, FLANGED	4
9.	58027	BEARING, OUTER CUP	40
10.	58015	HUB, COMPLETE	4
11.	93415	WHEEL STUD	4
12.	58018	BEARING, INNER CUP	40
13.	58021	BEARING, INNER CONE	4
14.	58024	SEAL, INNER	4
15.	11338	SPINDLE, ADJUSTABLE	4
16.	93458	NUT, 3/4 - 10, HEX, UNC, PLATED	4
17.	35298	SHIM, ADJUSTABLE SPINDLE	40
18.	35299	SHIM, ADJUSTABLE SPINDLE	8
19.	35463	SHIM, ADJUSTABLE SPINDLE	8
20.	93134	HHCS, 3/4 - 10 X 3, GR5, PLATED	16
21.	35302	PLATE, ADJUSTABLE SPINDLE MOUNTING	40
22.	35494	TENSIONER, TRACK BOLSTER	2
23.	11808	BOLSTER, LH	4
24.	36720	BUSHING, PIVOT	1
25.	11807	BOLSTER, RH	2
26.	93214	BOLT, CARR, 1/2 - 13 X 1, GR5, PLATED	1
27.	93525	NUT, 1/2 - 13, WHIZLOC, SERRATED FLANGE, PLATED	8
28.	36730	SUPPORT, SHIELD	8
29.	24573	SHIELD, BOGIE WHEEL	2
30.	93189	BOLT, CARR, 3/8 - 16 X 1, GR5, PLATED	2
31.	36719	ANGLE, SHIELD SUPPORT	8
32.	93523	NUT, 3/8 - 16, WHIZLOC	2
33.	46010	ELBOW, 1/8 NPT 90° STR STL	8
34.	93809	ZERK, 1/8 NPT, ST X SHORT, PLATED	2
35.	53105	TRACK, 228" DOUBLE LUG, 30" WIDE	2
36.	36243	WHEEL, TRACK	2
37.	43206	PLUG, 3/4 NPT SOCKET HEAD	4
38.	52521	ROLLER HUB CAP ASSEMBLY	8
39.	93570	NUT, 7/8 - 14, HEX SLOTTED, GR5, UNF	8
40.	93679	PIN, COTTER, 3/16 X 1-1/2	8
41.	52632	WASHER, ROLLER HUB RETAINER, 7/8	8
42.	94354	HHCS, 9/16 - 18 X 1-1/8 LUG, PLATED	8
43.	52355	BEARING, OUTER ROLLER CONE	8

## KNIGHT TRACKS

(Continued)

Item	P/N	Description	Qty
44.	52354	BEARING, OUTER ROLLER CUP	8
45.	53139	WHEEL, BOGIE	8
46.	52630	HUB, ROLLER	8
47.	52352	BEARING, INNER ROLLER CUP	8
48.	52353	BEARING, INNER ROLLER CONE	8
49.	52553	BEARING, ROLLER SPACER	8
50.	52346	SEAL, ROLLER	8
51.	51083	BUSHING, 3-1/2 X 3 X 2 AXLE PIVOT SPLIT	6
52.	35464	BOGIE FRAME	2
53.	53090	PIN, BOGIE MOUNT	2
54.	93115	HHCS, 5/8 - 11 X 5, GR5, PLATED	4
55.	93514	NUT, 5/8 - 11, TOP LOCK, PLATED	4
56.	36495	RETAINER, TRACK TENSIONER	4
57.	93383	HH, 3/8 - 16 X 16 X 1, WHIZLOC, PLATED	16

