

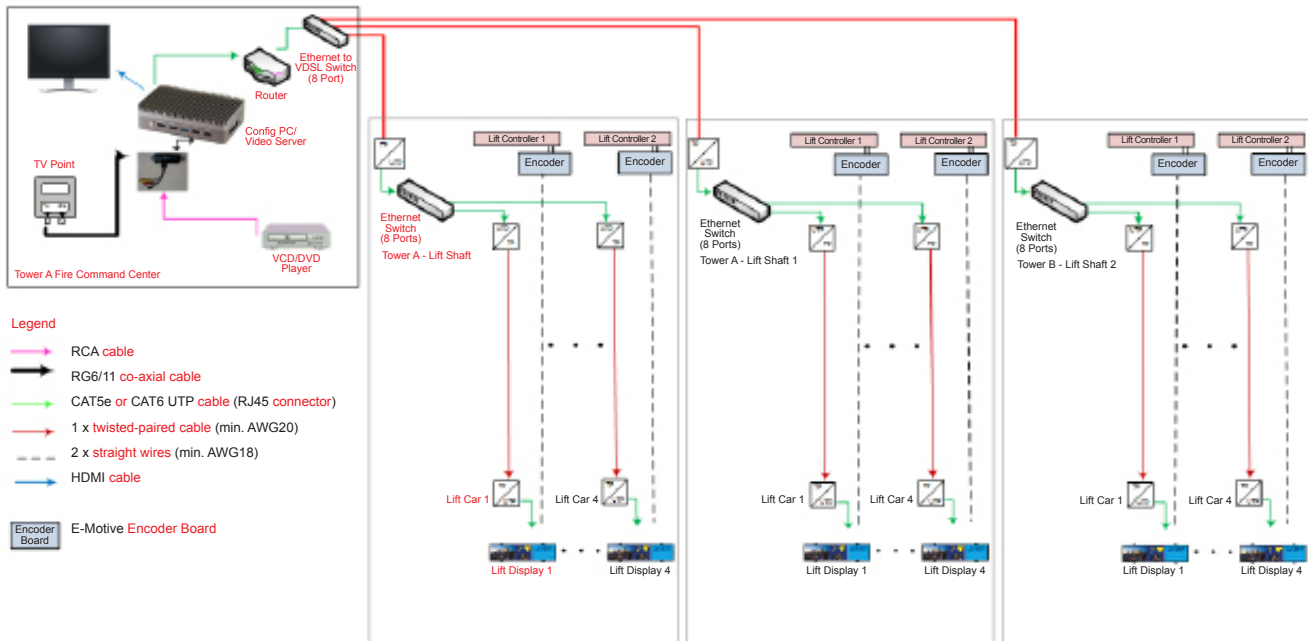
The iP2 offers a stunning display that ensures any installation will stand out and offers greater flexibility for screen layouts using a panoramic ultra-wide aspect ratio. The iP2 True Color TFT LCD display includes backlit LED technology and HD multimedia playback. High quality engineering in the iP2 provides the best solution for information, advertisement, and entertainment display needs. The iP2 is not limited to elevators and can be used in a variety of settings such as lobbies, hallways, and entrance foyers.



Features:

- Display static or scrolling announcements, video/audio streams, weather forecasts, and surveillance
- Convey elevator information such as car position, directional arrows, and status messages
- Ultra-wide screen
- Adjustable screen brightness
- Viewing angle of almost 180°
- Media and elevator information integration
- Configurable via USB and remotely via network
- MPEG 1/2/4 video playback

System Architecture:



JANUS iP2 Panorama Multimedia Display

General Specifications:

	19"	28"	38"
LCD Type	TFT	TFT	TFT
Color Depth	True Color (24-bit)	True Color (24-bit)	True Color (24-bit)
View Area (L x H) (in) ¹	18.7 x 3.8	27.5 x 5.2	36.2 x 10.4
Resolution (X x Y) ¹	1680 x 342	1366 x 256	1920 x 540
Viewing Angle (x axis) (o) ¹	+89/-89	+88/-88	+88/-88
Viewing Angle (y axis) (o) ¹	+89/-89	+88/-88	+88/-88
Contrast Ratio ¹	2000:1	2500:1	4000:1
Luminance ¹ (cd/m ²)	1000	1000	700
Temperature Range (°F) ¹	32 ~ 122	32 ~ 122	32 ~ 122
Humidity Range (%RH)	10 ~ 90	10 ~ 90	10 ~ 90
Backlight MTBF (Hrs) ¹	50,000	50,000	50,000
Overall Dimensions (X x Y x H) (in) ¹²	19.6 x 6.5 x 2.6	29.2 x 8.5 x 2.3	38.3 x 14 x 2.2

¹ Specifications subject to change

² Specifications of the Auxiliary screen

Electrical Specifications:

	19"	28"	38"
Operating Voltage (V)	12	12	12
Typical Power Consumption ⁷ (W)	12 (Main CPU) 35 (Screen ⁴)	12 (Main CPU) 38 (Screen ⁴)	12 (Main CPU) 110 (Screen ⁴)
Current consumption (A)	1 (Main CPU), 2.9 (Screen ⁴)	1 (Main CPU), 3.0 (Screen ⁴)	1 (Main CPU), 9.25 (Screen ⁴)
Lift Interface ³	4 wire Serial, RS485 Serial	4 wire Serial, RS485 Serial	4 wire Serial, RS485 Serial
PC Interface	LAN, Wireless ⁵	LAN, Wireless ⁵	LAN, Wireless ⁵
RF Input ⁵	N/A	N/A	N/A

³ Communication between the elevator controller and the display is controlled using an encoder board, which is sold separately.

⁴ The CPU is a low voltage device operating at 12vdc through a separated ac/dc switching power supply. The Open Frame operates at 12vdc through a separated ac/dc switching power supply. Both power supplies are included in the scope of supply.

⁵ Wireless communication requires a USB WiFi adaptor.

⁶ If required, a separate video server needs to be purchased.

⁷ Typical power consumption varies according to content. Reduction in consumption can be achieved using power save mode.

Ordering Information:

Part No.	Product Description	Part No.	Product Description
iP2-190-900	iP2 Multimedia 19"	134-P-A-A39	0.24in Polycarbonate Lens, 19"
iP2-280-900	iP2 Multimedia 28"	134-P-A-A40	0.24in Polycarbonate Lens, 28"
iP2-380-900	iP2 Multimedia 38"	134-P-A-B80	0.24in Polycarbonate Lens, 38"

Accessories Available

Accessories Available cont.

ACC-VS1	Video Splitter, 2-Port, VGA	147-1-0-0043	Ethernet/VDSL Switch, 8-Port
133-C-1-0229	USB Extension Cable, 16.4in	147-1-0-0042	Ethernet/VDSL Converter
147-2-0-0041	Ethernet Router	VSERVER-MINI	Video Server Mini
147-2-0-0039	Ethernet Switch, 8-Port	VSERVER-MAX-900	Video Server Max
147-2-1-0039	Ethernet Switch, 16-Port	VSERVER-MAX-901	Video Server Max, HDMI
147-0-0-0053-02	Wi-fi USB Adaptor, 802.11n	ML403100001	4-Input/1-Output 4-Wire Concentrator
147-1-0-0038	Ethernet/Fibre Optics Converter	SOFTWARE-CD	iP2 Software

415 Oser Avenue, Suite Q • Hauppauge, NY 11788
1-800-527-9156 • www.januselevator.com