

The PanaTouch is a multimedia touch display that offers a brilliantly effective interactive experience for high-end installations. The touchscreen is highly responsive and combined with HD graphics this LCD display adds a sleek and modern finish to any elevator or lobby. Energy saving features including LED backlit technology and a screen power scheduler. PanaTouch has the capability to also deliver audio floor alerts, messages, and gongs. It is also possible to use remote access to monitor and configure content. The PanaTouch is not limited to elevators and can be used in a variety of settings such as lobbies, hallways, and entrance foyers.



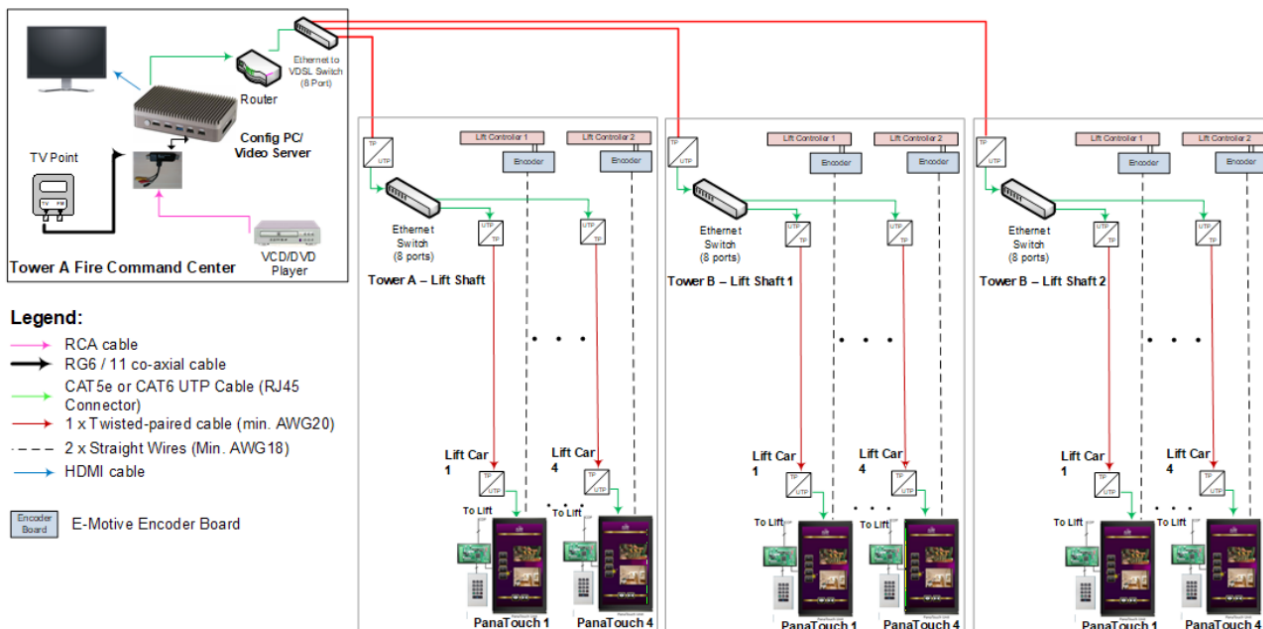
Features:

- Customizable layout
- Vandalproof touch glass
- Energy saving and eco-friendly
- Projected capacitive (PCAP) touchscreen for high reliability
- Landscape or portrait orientation
- Video live streaming or recorded
- Floor level synchronized tenant content
- Configurable via USB and LAN networks
- Supports MPEG 1/2/4 video
- Supports plug and play media link solutions
- HD playback
- Low power consumption

Sample Screen Layouts



System Architecture:



Note 1: The maximum length of the LAN cable (point-to-point inclusive of patch cable) is about 295' - 328'. If length information is unclear, it is recommended a repeater or switch is installed. Media-link solutions are available to extend the network beyond this.

JANUS PanaTouch Multimedia Display

Technical Specifications:

SCREEN SIZE	10.1	15.6	19.5	21.5
DISPLAY				
LCD Display Type	TFT	TFT	TFT	TFT
Color Depth	True Color (24-bit)	True Color (24-bit)	True Color (24-bit)	True Color (24-bit)
Resolution ¹	1280 x 800	1366 x 768	1920 x 1080	1920 x 1080
Aspect Ratio	16:10	16:9	16:9	16:9
Viewing Area (W x H) (in) ¹	8.5 x 5.4	13.5 x 7.6	17.2 x 9.5	18.8 x 10.6
Horizontal Viewing Angle (°) ¹	+85/-85	+80/-80	+89/-89	+89/-89
Vertical Viewing Angle (°) ^{1,3}	+85/-85	+80/-80	+89/-89	+89/-89
Luminance ¹ (cd/m ²)	315	270	225	300
Contrast Ratio ¹	800:1	500:1	3000:1	1000:1
ELECTRICAL & ENVIRONMENTAL				
Operating Voltage (vdc)	12	12	12	12
Typical Current Consumption (A) ⁸	1.08 (CPU) 0.83 (Aux Screen ⁵)	1.08 (CPU) 1.25 (Aux Screen ⁵)	1.08 (CPU) 1.47 (Aux Screen ⁵)	1.08 (CPU) 2.08 (Aux Screen ⁵)
Typical Power Consumption (W) ⁵	13 (CPU) 10 (Aux Screen ⁵)	13 (CPU) 15 (Aux Screen ⁵)	13 (CPU) 17.6 (Aux Screen ⁵)	13 (CPU) 25 (Aux Screen ⁵)
MECHANICAL				
Overall Dimensions ¹ (W x H x D in)	7.5 x 12.4 x 1.6 (Aux Screen)	9.5 x 18.5 x 1.7 (Aux Screen)	11.4 x 22 x 1.8 (Aux Screen)	12.4 x 23.4 x 1.8 (Aux Screen)
COMMUNICATION & I/O INTERFACES				
Lift Interface ^{4,7}	4 wire Serial, 16-bit discrete Parallel	4 wire Serial, 16-bit discrete Parallel	4 wire Serial, 16-bit discrete Parallel	4 wire Serial, 16-bit discrete Parallel
PC Interface ⁶	LAN, Wireless ⁶	LAN, Wireless ⁶	LAN, Wireless ⁶	LAN, Wireless ⁶
Touch Interface	USB	USB	USB	USB

1. Specifications subject to change.

2. Specifications of the auxiliary screen.

3. Special attention will be required to present best viewing angle.

4. Communication between the elevator controller and the display is controlled using an encoder board, which is sold separately.

5. The CPU is a low voltage device operating at 12vdc through a separated ac/dc switching power supply. The auxiliary screen operates at 12vdc and uses a separated ac/dc switching power supply. Each PSU will require an individual AC point.

6. Wireless communication requires a USB WiFi adaptor.

7. If required, a separate video server needs to be purchased.

8. Typical power consumption varies according to content. Reduction in consumption can be achieved using a power save mode.

Ordering Information:

Part No.	Product Description
MTP01-101-4-13-920	10.1" PanaTouch
MTP01-156-3-13-920	15.6" PanaTouch
MTP01-195-3-13-920	19.5" PanaTouch
MTP01-215-3-13-920	21.5" PanaTouch

Accessories Available

133-C-1-0229	USB Extension Cable, 16'
147-2-0-0041	Ethernet Router
147-2-0-0039	Ethernet Switch, 8-Port
147-2-1-0039	Ethernet Switch, 16-Port
147-1-0-0043	Ethernet/VDSL Switch, 8-Port
147-1-0-0042	Ethernet/VDSL Converter
147-1-0-0038	Ethernet/Fiber Optics Converter

Accessories Available cont.

VSERVER-MINI	Video Server Mini
VSERVER-MAX-900	Video Server Max,
VSERVER-MAX-901	Video Server Max, HDMI
SOFTWARE-CD	PanaTouch Software

415 Oser Avenue, Suite Q • Hauppauge, NY 11788
1-800-527-9156 • www.januselevator.com