

The Panachrome+ is the world's most complete elevator door detection system. This premium safety edge has red and green indicators to highlight door movement and is also available with 3D detection, extending passenger protection into the landing zone. This unique system is an effective solution for sites where passenger traffic is high or where additional safety measures are required. This product has been proven to reduce door damage and to limit passenger accidents.



Features:

- Colored red/green indicators highlight door movement
- Built-in display and keypad allow for quicker customization and fault-finding during installation
- Display and keypad on controller for easy programming
- Dense infrared 234 beam safety edge
- Suitable for center opening and side opening doors
- 0.4" and 1.7" profiles available
- Compatible with Janus Smart3D Detector
- Audio annunciation on board
- Typical applications include hospitals, hotels, and airports

Panachrome+ Detector Profiles:

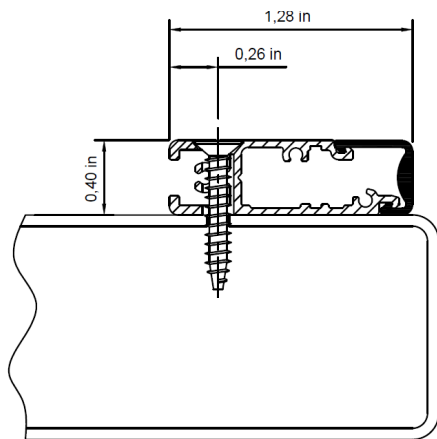


Fig. 4 0.39" Profile fixed with countersunk self-tapping screw

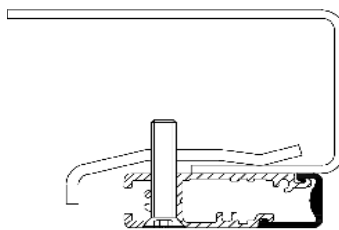


Fig. 5 0.39" Profile mounted using a fixing clamp plate

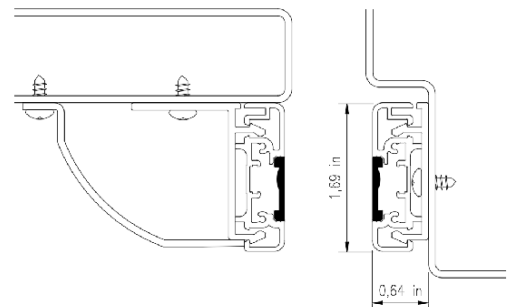


Fig. 6 1.69" Profile mounted for side-opening using an 'L' bracket with a finger guard and slampost

Technical Specifications:

Panachrome+ Detectors	G2540 (2D)	G2510 (2D)
Detector dimensions	1.7" x 0.63" x 79"	0.4" x 1.3" x 78.75"
Number of diodes	48	
Number of beams	234	
Ext. cables 015 455 length	13ft	
Detector monitoring height (min)	0.78"	
Detector monitoring height (max)	71"	
Range - 2D	19ft 6.9"	
Maximum voltage in detector	12vdc	
Maximum power consumption	6W	
Operating temperature range	-10°C to +65°C	
EMC Compliance	Emissions to EN 12015:2014; Immunity to EN12016:2013	
Ingress Rating	IP65	
Light Immunity Rating	>100,000lux	

Panachrome+ Controller Specifications

Controller dimensions	9.4" x 6.75" x 2"
Voltage requirements	Universal AC supply 85 to 240vac or 15 to 48vdc
Power consumption	30W maximum with detectors fitted and indicators ON
Door operator relay	250vac, 24vdc at 5A
Trigger Duration	350mS typical 2D, 1 second typical 3D
Timeout	Switched ON/OFF 10-70 seconds adjustable

Ordering Information:

Part No.	Product Description	Profile
TBC	Smart 3D	
G2540 000	Set of 2D TX, RX Detectors and Fixing Kit	1.7"
G2510 000	Set of 2D TX, RX Detectors and Fixing Kit	0.4"
G2510 803	Clamp kit to fit one detector	
G3851 000	Panachrome+ Controller	
015 455	13ft extension cable	