

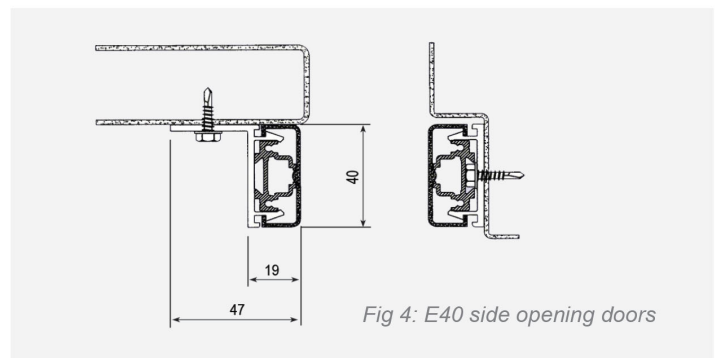
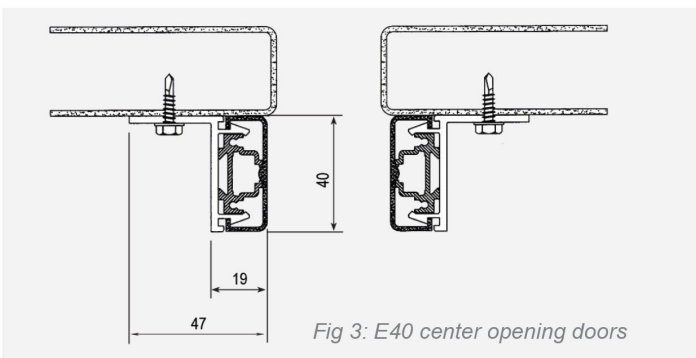
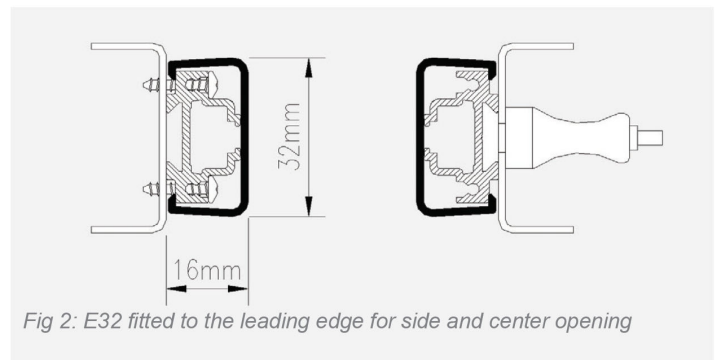
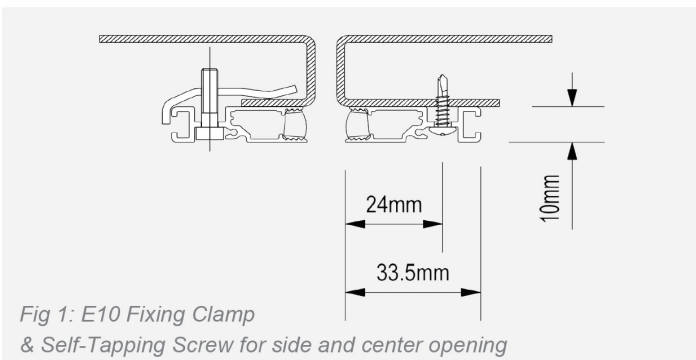
The E-Series Safety Edge has a versatile range with up to 36-diode version, supporting up to 174 criss-cross beams for premium safety. The 36-diode version is able to detect a 50mm target which is compliant with EN81-20 standards. The RX has a diagnostic LED that is visible through the lens and provides an indication of a trigger or a possible system fault. In case of failure, the diagnostic output on the RX will inform the elevator controller so that the kinetic energy of the closing doors can be limited to the required level. The system has been designed to be tolerant to the infra-red content equivalent to 100k lux. This results in very high levels of light immunity and outstanding reliability. The edges are housed in a 10, 32, or 40mm profile.



Features:

- EN81-20 compliant
- Designed for new and existing installations
- Suitable for dynamic or static installations
- Reduced installation time: no set up required, no communication wire, no configuration needed
- Extended range of input voltages 11-42vdc to suit all applications
- Robust electronics
- Timeout software
- Diagnostic LEDs
- Auto Beam Disabling (ABD)

Detector Profiles:



JANUS E-Series Safety Edge

Technical Specifications:

	E10 36 E32 36 E40 36	E10 20* E32 20* -
0.39 in Profile 1.26 in Profile 1.57 in Profile		
External Dimensions	0.39in x 1.32in x 1.33in (E10) 0.39in x 1.32in x 1.33in (E32) 0.39in x 1.32in x 1.33in (E40)	
No. of Diodes	36	20
Total No. of Beams at a separation of	174 Beams >19.7in 106 Beams <19.7in & >7.9in 36 Beams <7.9in	84 beams >19.7in 58 beams <19.7in & >7.9in 20 beams <7.9in
Top Diode position from sill*	64in	
Bottom Diode position from sill* <small>* Detectors are mounted 5mm from sill</small>	0.98in	
IP Rating	IP65 (E10), IP54 (E32), IP54 (E40)	
Maximum Range	9.8ft	
Max. Response Time	100ms	
Light Immunity	>100,000 lux	
Input Voltage	+11vdc - +42vdc Continuous 44vdc [Max] Peak	
Trigger Output	Maximum Switching Voltage=45vdc/30vac Maximum Switching Current=350 mA Maximum on State Resistance=2 Ohms NPN,PNP,NC,NO user configurable	
Diagnostic Output (optional)	Maximum Switching Voltage=45vdc/30vac Maximum Switching Current=350 mA Maximum on State Resistance=2 Ohms NPN,PNP user configurable; NC only	
Current Average	<100mA	
Peak Current	<100mA	
Operating Temp. Range	-13°F - 140°F as per BS2011 Part2.1 Ab & Part2.2 Bb	
Storage Temperature	-13°F to 140°F	
EMC Emissions	EN12015:2014 Immunity 12016:2013	
Random Vibration	20-500Hz 0.002g2/Hz, 4 hours per axis	
Sinusoidal Vibration	30Hz 3.6g RMS 30mins per axis	
Humidity	93% BS60068-2-30:2005:Part2.1Db:1981, Variant2 @ 131°C	
Cables	TX=2 Cores & RX= 5 Cores (7 Cores with diagnostic output), Length=2.7m	

Ordering Information:

Part # Code

e.g:

E	10	20	D	TD	B
Product	Profile*(mm)	No. of Diodes	Diagnostic Output	Timeout	Custom Cables
E	10	20	D = Diagnostic Output	TD = Timeout Disabled	- Std Cable 2.7m
	32	36	N = No Diag. Output	TE = Timeout Enabled	B = 4m Cable
	40				S = 0.4m