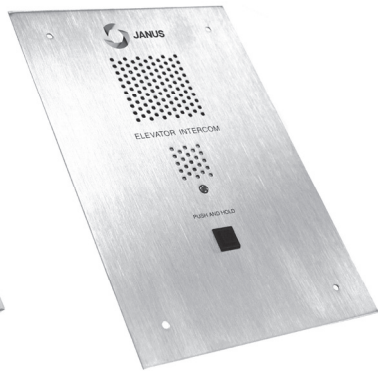




LTC-SM/FL LOBBY INTERCOM USER'S MANUAL



LTC-1SM



LTC-1FL

AVIRE

Janus is a brand of Avire

Avire Inc

415 Oser Avenue, Suite Q, Hauppauge, New York 11788

Phone: 631 864 3699 Toll Free: 800 527 9156

Fax: 631 864 2631 Email: sales.us@avire-global.com

www.avire-global.com www.januselevator.com

TABLE OF CONTENTS

<u>SECTION</u>	<u>PAGE</u>
PRE-TESTING	3
INSTALLATION	4
DUPLEX SYSTEM SAMPLE DIAGRAM	5
TROUBLESHOOTING	6
SURFACE MOUNT LOBBY INTERCOM DIAGRAM	8
FLUSH MOUNT LOBBY INTERCOM DIAGRAM	9
WARRANTY POLICY	10
RETURN POLICY	11

Pre-Testing

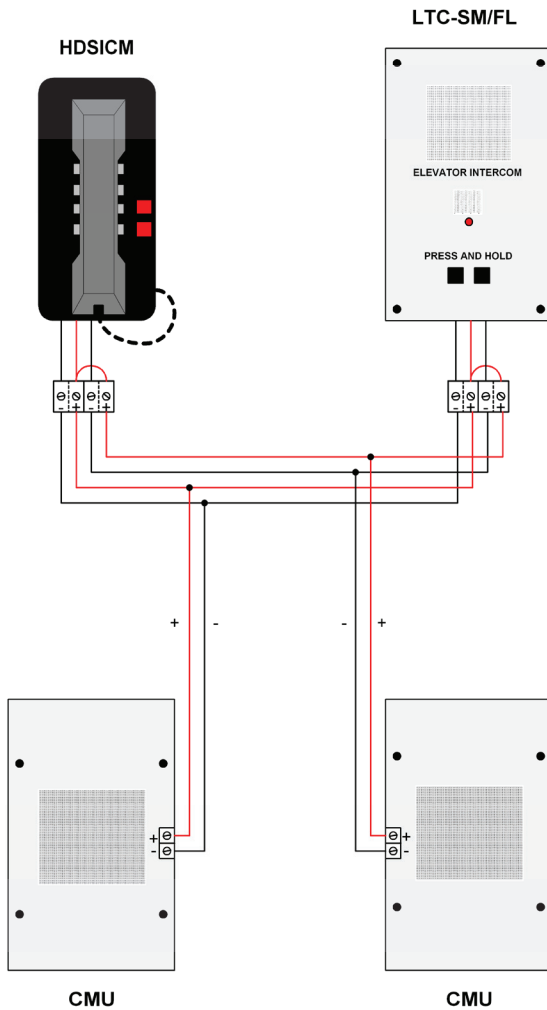
1. Remove intercom system from shipping box. The intercom will have wiring between the elevator unit and the lobby unit.
2. Plug the AC power supply into an AC outlet and connect the 9-volt battery to its battery snap.
3. Take the elevator unit into an adjoining room and close the door.
4. The person at the lobby panel should press and hold the push-button.
5. There should be 2-way conversation between the two units and the LED on the front of the lobby panel should turn on.
6. Check each elevator unit in the same manner.

Installation

1. The intercom requires one pair of wires for each elevator from the lobby panel to the elevator unit. The intercom system requires 110 volts to trickle charge the battery. The wiring from the AC wall plug can be extended as needed to get to the nearest outlet or to go to the Machine Room. Connectors are provided.
2. Install the elevator unit on the ceiling using the mounting holes provided in the galvanized box. The elevator unit can be mounted behind a speaker grill in the car return. (3.5-inch minimum speaker pattern required). The galvanized box will need to be removed from the elevator intercom.
3. Install the lobby unit using the bracket if needed.
4. Connect the AC power to the Lobby unit.
5. On Simplex installations, connect one pair of wires between the TELCO connector of the Lobby unit and the TELCO connector of the elevator unit. This connection is polarity sensitive so be sure to connect No. 1 connections together and No. 2 connections together.

Note: On Duplex, Triplex, Quadruplex, there will be a European connector at the Lobby panel with a pair of connections for each elevator. When you connect the wiring at the TELCO connector on the elevator unit, be sure that the positive voltage is connected to the No. 2 side of the connector. Positive and negative are marked on the board.

Duplex System Sample Diagram



Troubleshooting

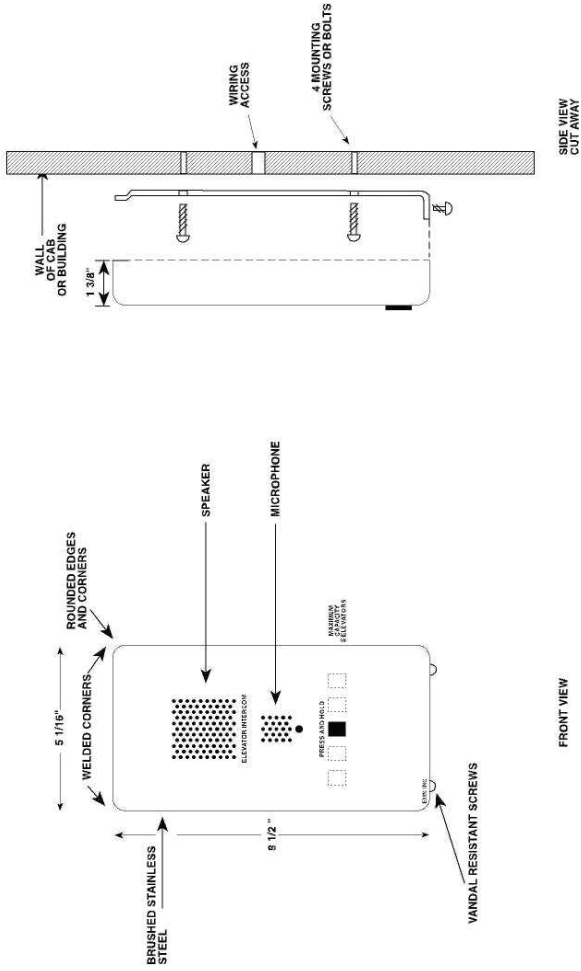
1. Make sure that lobby unit is getting power from the wall transformer by checking the voltage on the battery snap that is plugged into the battery snap that is soldered on to the board. This snap is labelled "Connect to battery snap on HF phone". WITH THE PUSHBUTTON PRESSED- there should be positive voltage on the male side of the connector and negative voltage on the female side. If the polarity is not correct reverse the wires coming from the wall transformer.
2. Check to see if power is getting to the 9-volt battery by unplugging the battery and measure voltage on the battery snap labelled "Connect to battery". WITH THE PUSHBUTTON PRESSED- there should be approximately 9-13 volts DC with positive voltage on the female connector and negative voltage on the male connector. If the polarity is not correct reverse the wiring coming from the wall transformer.
3. If the red LED is not turning on check to make sure that when the button is pressed that you get approximately 9-13 volts DC voltage at the battery snap that is soldered to the PC board.
4. WITH THE PUSHBUTTON PRESSED- there should be approximately 9-13 volts DC on the TELCO connector on both the lobby and the elevator units. Make sure that polarity is correct- positive voltage on the no.2 and negative on no. 1 connector. The CMU intercom in the elevator cab does not require a 9-volt battery.
5. You can test each PC board individually and without any field wiring connected by attaching a 9 volt battery to the battery connector that is soldered directly onto the PC board and plugging a modular tone phone into the black

jack on the back of the board. You should be able to communicate through the handset to the PC board.

6. On all multi-elevator installations check the voltage at the European connector for each elevator. When the push button is pressed for that particular elevator there should be approximately 9-13 volts going from the battery to the lobby PC board and then fed out through the TELCO connector through the switch being pressed and then out through the European connector pair going to that particular elevator unit.
7. If you are experiencing broken communication try adjusting the R14A potentiometer (microphone sensitivity potentiometer) between 1 to 3 o'clock positions while speaking to the other unit. Do not adjust this pot all the way in either direction.
8. If the sound output of the speaker is Low on the unit try adjusting the R13 (VOL.) potentiometer counter-clockwise to the max.

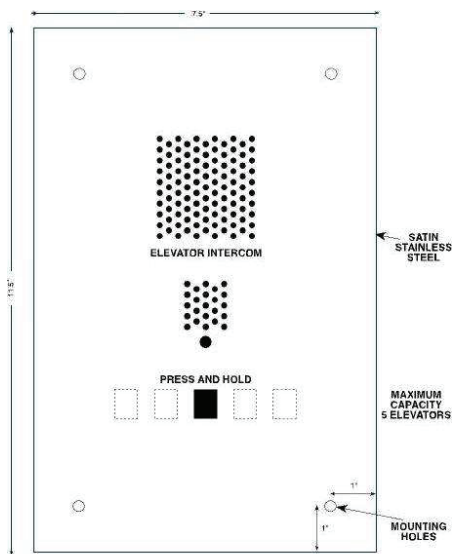
Notes: _____

SURFACE MOUNT LOBBY INTERCOM



FRONT VIEW

SIDE VIEW CUT AWAY



FLUSH MOUNT LOBBY INTERCOM

Warranty Policy

Avire Inc. warrants its products to be free from defect in materials and workmanship under normal use and service for 24 months from date of purchase. Seller's obligation shall be limited to repairing or replacing, at its option, free of charge for materials or labor any product which proves defective in materials or workmanship under normal use and service. Avire shall not be responsible for any damage to the unit incurred during installation. Seller shall have no obligation under this Limited Warranty or otherwise if the product is altered or improperly repaired or serviced by anyone other than Avire factory service. For warranty service, contact Avire at 631-864-3699 or 800-527-9156.

THERE ARE NO WARRANTIES, EXPRESS OR IMPLIED, OF MERCHANTABILITY, OR FITNESS FOR A PARTICULAR PURPOSE OR OTHERWISE, WHICH EXTEND BEYOND THE DESCRIPTION ON THE FACE HEREOF. IN NO CASE SHALL SELLER BE LIABLE TO ANYONE FOR ANY CONSEQUENTIAL OR INCIDENTAL DAMAGES FOR BREACH OF THIS OR ANY OTHER WARRANTY, EXPRESS OR IMPLIED, OR UPON ANY OTHER BASIS OF LIABILITY WHATSOEVER, EVEN IF THE LOSS IS CAUSED BY THE SELLER'S OWN NEGLIGENCE OR FAULT.

Return Policy

During installation, if a product does not appear to function properly the installer must call the **Avire** Technical Support Unit at (800) 527-9156, Monday through Friday. If the technician determines that the product is not functioning, an **RA** (Return Authorization) number will be issued, allowing the installer to return the product directly to **Avire** for repair, replacement or credit. Returns with no fault found, will result in a bench charge plus shipping costs. Returns without an **RA** number will result in a restocking charge of 25% or more plus shipping costs.

Need Technical Assistance?

Call 1-800-527-9156

