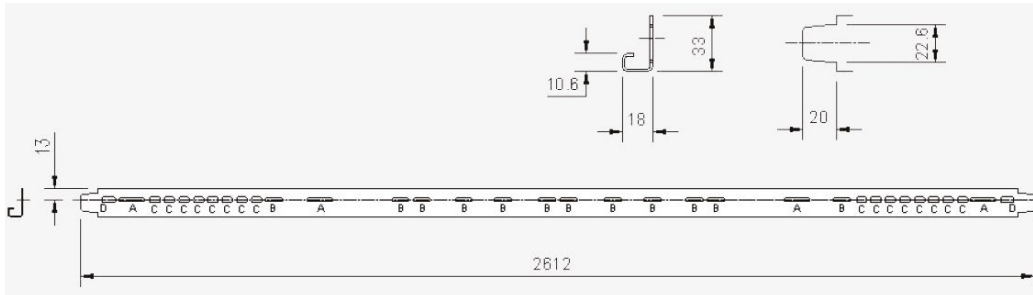
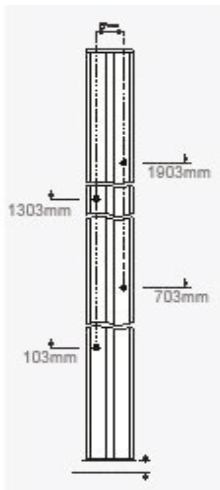


Long Bracket

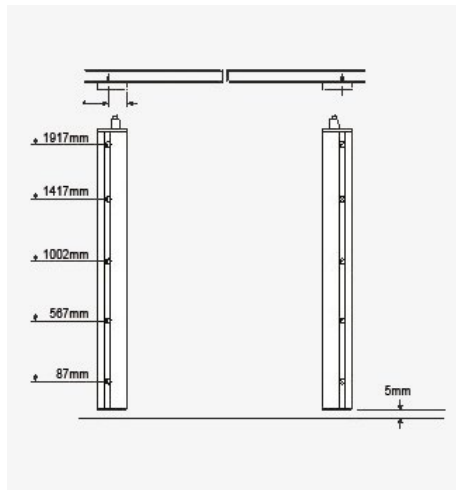
This Long Bracket is effectively used to support the detector and increase its overall length so that it can be secured to the top of the elevator car. The detector is secured to the Long Bracket by using the M3.5 nuts, bolts and washers provided in the fixing kit.



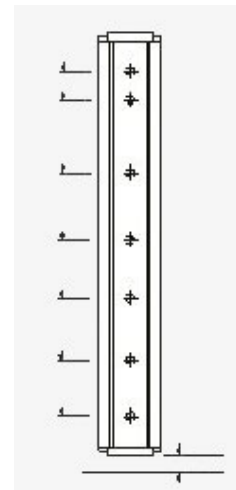
Mounting Profiles



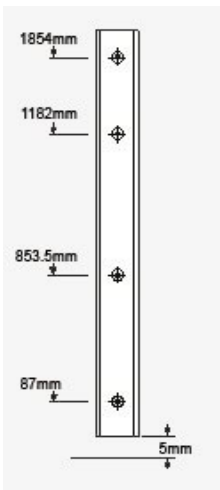
740 Mounting



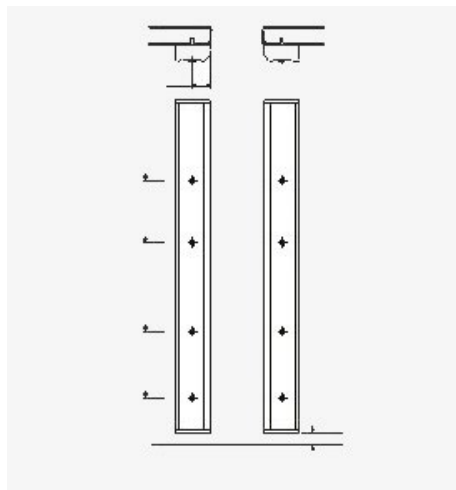
743 Mounting



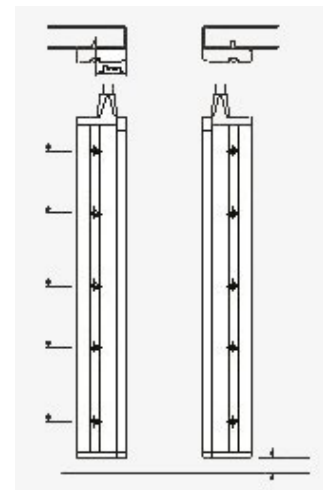
744 Mounting



770 Mounting



771 Mounting



774 Mounting