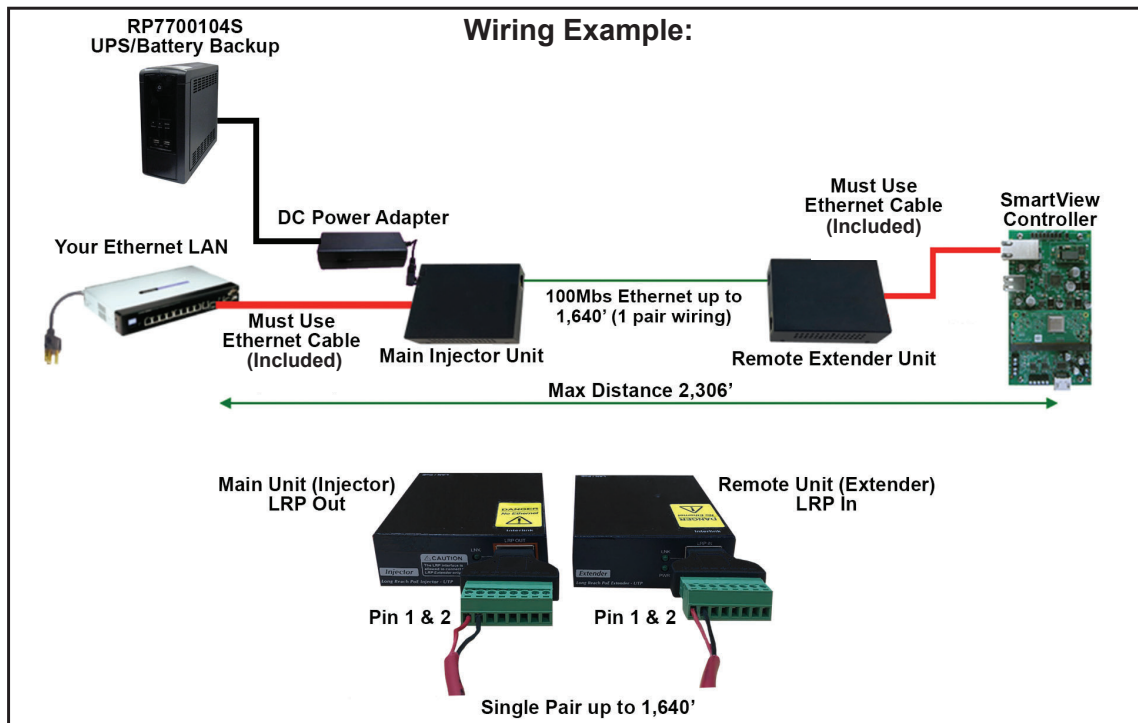




SmartView Ethernet Extenders
Part #: 2100-SVE

Features:

- **Dimensions:** 1" H x 3.7" W x 2.75" D
- **Operating Temperature:** -49°F to 168°F (-45°C to 76°C)
- **Injector Power:** 56V-65W power adapter with dc jack included (120vac power cord). Requires backed up 120v source or RP7700104S.
- **Extender Power:** Supplies 1A to the SmartView Controller
- Included RJ45 adapters for Interlink Cabling
- Supplies power and communication to the SmartView Controller
- **Extender Wiring:**
 - Extends up to 1,640 feet over single pair of wiring between extenders (requires single pair, 18-24ga, shielded or unshielded)
 - CAT5E with RJ45 connectors required from network switch and the SmartView Controller to each extender
 - Main Unit (Injector) has LAN In (internet connection) and LRP Out (two wire connection)
 - Remote Unit (Extender) has LRP In (two wire connection from main unit) and PoE Out (Ethernet connection to SmartView Controller)



ASME A17.1 2019 Code Change Compliant