



Installation Manual

Emergency Call Station TWRVPP-CPL2



Made in the USA

415 Oser Avenue, Suite Q • Hauppauge, New York 11788
800-527-9156 • sales.us@avire-global.com • www.avire-global.com/us

Ver. 1
08/20

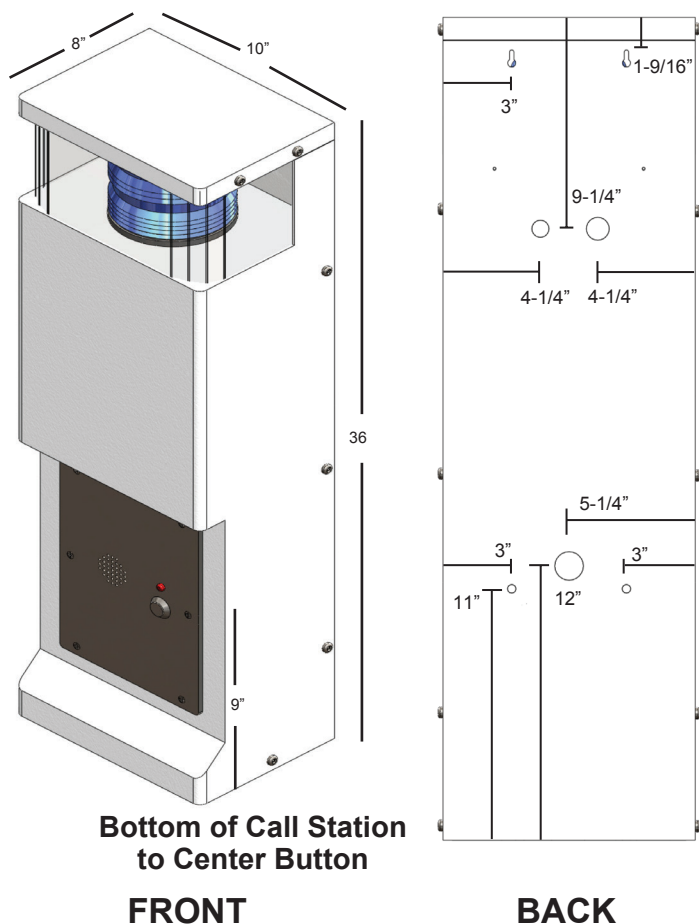


Table of Contents

Description	Page 3
Safety Guidelines	Page 3
Items Needed	Page 4
Installation	Page 4

Description

Figure 1: Front & Back View



Features:

- ADA compliant (hands free operation)
- LED call status indicator
- Powder coated steel construction inside and out
- Aluminum access panels powder coated inside and out
- Weather and vandal resistant
- Blue beacon and strobe
- Strobe turns on upon phone activation
- Recessed illuminated face plate
- Internal anchor base plate
- Panels secured with security screws
- Torx bit provided to access panels

Call Station Specifications:

Height	36"
Width	10"
Depth	8"
Thickness of Aluminum*	0.090"
Weight	29 lbs.

*Stainless Steel Call Stations are 14 Gauge Steel

Safety Guidelines

- Save these instructions. This manual contains important instructions that will assist you during installation and for maintenance.
- Keep all the components secure and protected during storage.
- Be careful of finished surfaces during transport and installation to avoid damaging the finish.
- Installation and maintenance should only be performed by qualified electricians.
- It is recommended a minimum of 2 people perform installation.
- Do not install phone during extreme weather conditions.
- Do not touch uninsulated phone wires or terminals unless the phone line has been disconnected at the network interface.
- To comply with Americans with Disabilities Act (ADA) requirements, the Call Station must be mounted so that the push button is less than 48" above the ground.

Items Needed

Item	Description
Wall Mounting Hardware	If Mounting to Wall
Pole Mount Bracket (Part # RP7700098A)	If Mounting to Pole
#1 Phillips Screwdriver	
Voltage Meter	
Security Torx Bit	Provided
Adjustable Wrench	
120v Power Source	
Analog Phone Line	If Using Landline
Phone Cable	If Using Landline

Call Station Installation

1. Remove 12 security screws from unit
2. Remove top cap from unit
3. Pull front assembly away from back unit
4. Disconnect the gray Wago connector
5. If wall mount, mount to wall
6. If pole mount, attach unit to pole using Pole Mounting Bracket (RP7700098A)