



# VPP T1250

## Emergency Telephones

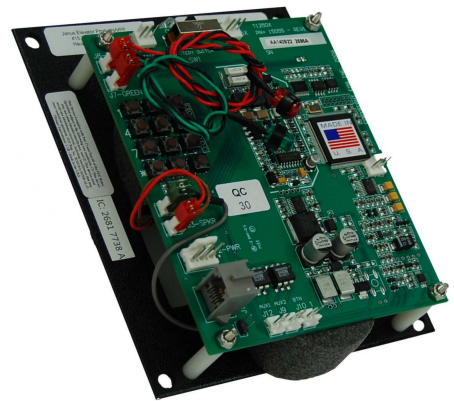
### Installation & Operation Manual



**T1250B**



**T1250S**



**T1250E**

---

# AVIRE

Janus is a brand of Avire

Avire Inc  
415 Oser Avenue, Suite Q, Hauppauge, New York 11788  
Phone: 631 864 3699 Toll Free: 800 527 9156  
Fax: 631 864 2631 Email: [sales.us@avire-global.com](mailto:sales.us@avire-global.com)

A HALMA COMPANY

## Features

Full Duplex operation - no chopped conversation

Four number dialing capability

Operates automatically when triggered by receiving party voice

Programmed locally without phone line and remotely using the same programming sequences

Voice playback for number verification

Automatic hang up on Central Office or PBX positive disconnect, on return to dial tone or on return to fast busy

Positive shut off with # (pound sign) from receiving party

Adjustable fail-safe time out

Red and Green LEDs for positive indication of call progress

Remotely adjustable volume for speaker and microphone

Can be programmed for TouchTone or Rotary dialing

One 18 second or two 9 second voice messages for multi-lingual recording. Second message can be hidden for receiving party instructions.

Multiple phones on a line with access to one or all phones.

Easy installation

## Standard Operation

Calls from the T1250

1. Patron presses push button on front panel. Red LED lights, Dial tone is heard and then automatic dialing of the first programmed number.
2. If first number is busy T1250 immediately dials second number. If first number doesn't answer in 30 seconds (30 seconds is default, this is programmable), the T1250 dials second number.  
  
If third and fourth numbers are programmed, the T1250 continues through the same sequence until, if not answered, each programmed number has been tried 3 times. If not answered, the T1250 stops and waits for another button push to start again.
3. When the receiving party answers, the T1250 senses the answering voice and automatically plays the voice message two times (2 times is default, this is programmable to 0, 1, 2 or 3 times) and the Red LED goes out and the Green LED blinks. Two-way conversations can take place over the voice message.
4. The receiving party can replay the voice message by pressing the 0 key on the receiving phone keypad. When played back by the receiving party, the microphone in the T1250 is shut off to eliminate background noise. The message will play even if it has been programmed to play 0 times when the call starts.
5. During a call, if the Patron cannot speak, he/she can signal by pressing the push button, which then emits a tone.

6. The call is terminated by the receiving party hanging up (if the local PBX or Central Office provides a positive disconnect, CPC) or by the receiving party pressing the # key. The T1250 also has a programmable failsafe time out to terminate the call (default is 10 minutes, can be set from 1 to 99 minutes).

**Calls to the T1250**

1. When the T1250 answers an incoming call, it emits a short beep to let the calling party know it has answered.
2. The T1250 then waits two seconds for the calling party to enter a programming password or a silent-monitoring password from the calling keypad.
3. If the calling party does nothing within the two seconds, the T1250 then automatically rings through and emits a shrill tone through its speaker and allows two way conversation between the calling party and the Patron. (This “Ring Thru” is the normal, default setting, mode of operation. See below for alternatives.)
4. The calling party can play the voice message by pressing the 0 key on the calling phone keypad.
5. During a call, if the Patron cannot speak, he/she can signal by pressing the push button, which then emits a tone.
6. The call is terminated by the calling party hanging up (if the local PBX or Central Office provides a positive disconnect CPC or other signaling such as return to dial tone or return to busy/reorder) or by the calling party pressing the # key. The T1250 also has a programmable failsafe time out to terminate the call (default is 10 minutes, can be set from 1 to 99 minutes).

**Adjustable Volume for Speaker and Microphone for new style T1250 units (date code 0639 and later)**

During calls, to or from the T1250, the volume for the speaker and the microphone can be adjusted remotely, by entering the following DTMF tones from the telephone keypad.

- |   |   |
|---|---|
| 8: Decreases speaker volume (in steps of 1)     | Speaker Range 1-20, Factory Default = 10    |
| 9: Increases speaker volume (in steps of 1)     |   |
| *8: Decreases Microphone volume (in steps of 1) | Microphone Range 1-20, Factory Default = 10 |
| *9: Increases Microphone volume (in steps of 1) |   |

The adjustments will become standard for all phone calls unless the factory defaults are restored.

**Alternative “Hang up” mode of operation**

The T1250 can be programmed for “Hang Up” mode of operation which makes it hang up unless the calling party begins to enter the password sequence of 1# within 2 seconds after hearing the short beep.

**Alternative Silent Monitoring mode of operation**

If the calling party enters the password of 4# at the short beep, the T1250 will be connected but the speaker will be disabled and no sound will be issued. The microphone remains enabled.

**Activating Auxiliary Outputs**

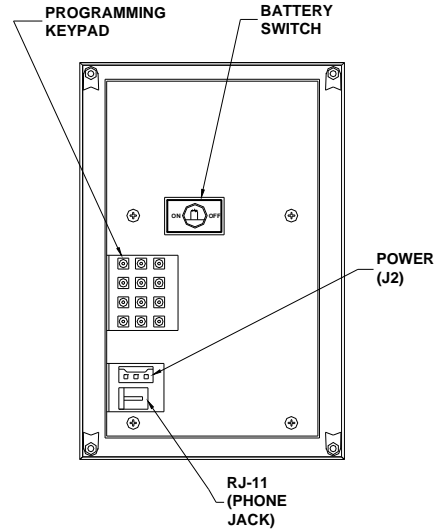
The Aux. 1 Output will be automatically activated when the T1250 is making an outgoing call. The Aux. 1 output can be activated on an incoming call by pressing “4”. The Aux. 2 output can be activated on both incoming and outgoing calls by pressing “6”.

## Installation

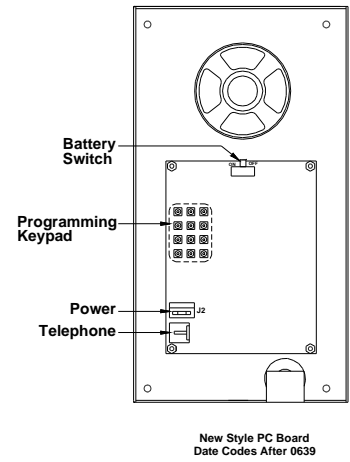
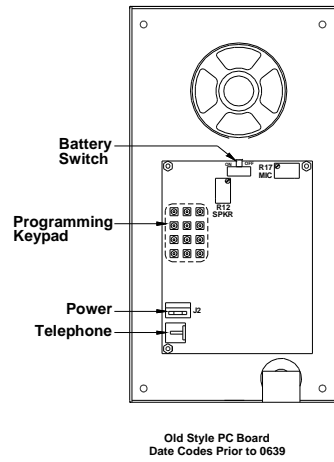
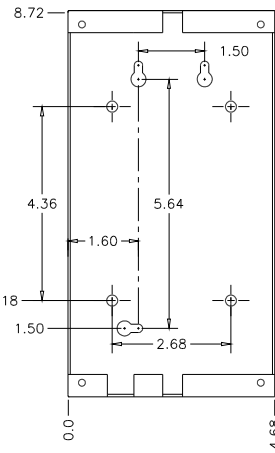
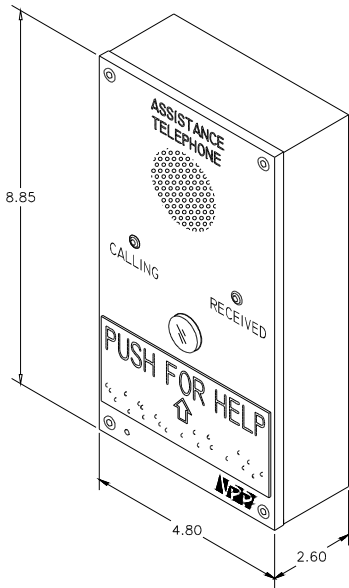
The T1250 requires two connections; one for the incoming telephone line and one for power. The power is derived from a supplied 110 VAC to DC converter.

1. Determine the best position of the T1250 in the telephone cabinet.
- 2A. For the T1250S, mark the cut out hole as shown in Figure 1. Insert the T1250S in the cut out and rotate the corner tabs to grab the sides of the cut out. Tighten the nuts on the corner tabs to secure the phone in place.
- 2B. For the T1250B, mark screw hole locations in the back of the phone cabinet using the box bottom as a locating template. See Figure 2. The two keyholes should be towards the top. Drill the holes to mount the phone bottom. **CAUTION: MAKE SURE THERE IS CLEARANCE BEHIND THE ELEVATOR PHONE CABINET BEFORE DRILLING.** Mount the T1250B bottom. Pass the cabling from the incoming phone line and the three-pin, female end of the cabling from the 110 VAC converter through the slots in either end of the T1250B bottom.
- 2C. For the T1250E, make sure that the unit is snugly fastened to the back of the elevator panel with the gaskets around the speaker and the microphone slightly compressed. Make sure that the LEDs and the pushbutton switch connections are connected as shown in Figure 3.
3. Connect the telephone line using the modular cord provided or else cut the modular cord in half and use the provided compression splices to connect the incoming wire to the red and green wires in the modular cord (polarity does not matter). The black and yellow wires in the modular cord are not needed and may be trimmed back. Do not strip the wires before inserting in the compression splice. **CAUTION: FOR BEST ELEVATOR APPLICATION PERFORMANCE, THE TRAVELING CABLE PHONE WIRING SHOULD BE SHIELDED TWISTED PAIR WITH THE SHIELD GROUNDED AT THE ELEVATOR CONTROLLER END ONLY. INSULATE THE SHIELD SO THAT IT IS NOT GROUNDED ANYWHERE ELSE IN THE INSTALLATION. THE NEXT BEST ACCEPTABLE WIRING IS TWISTED PAIR WITH ALL SPARE WIRING IN THE TRAVELING CABLE GROUNDED AT THE CONTROLLER END ONLY.**
4. Connect the AC end of the supplied converter to a 110 VAC source.
5. Connect the female end of the converter and the telephone jack to the T1250. Slide the battery switch to "On". (For the T1250B, secure the telephone to the bottom being sure to tuck in any loose wires so they are not crushed.)

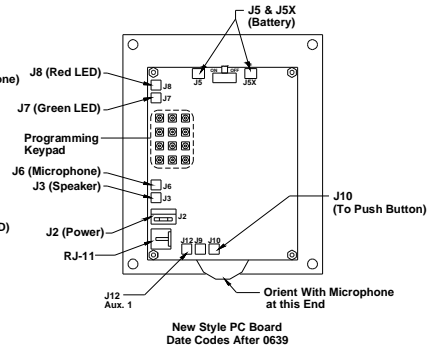
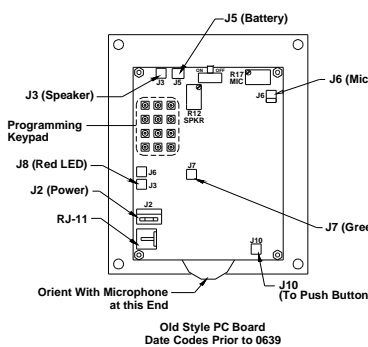
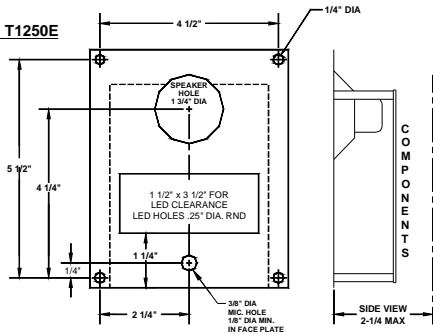
**FIGURE 1: T1250S**



**FIGURE 2: T1250B**



**FIGURE 3: T1250E**



# Programming

## Quick programming for standard operation

The T1250 can be programmed directly using its built in keypad with or without a telephone line (it must be powered either from 110 VAC or from its backup battery) or it can be programmed remotely by dialing the number the T1250 is connected to. In either case, the programming sequence is identical after the first beep is heard.

### T1250 Quick Programming Instructions

Dial the phone number of the T1250 OR Press any button on the keypad on the back of the T1250 to start	You will hear 1 beep Red LED will go on
<b>Enter Programming</b> Press 2#	You will hear 3 beeps
<b>Program 1st number to call</b> Press 50 (telephone number) # * equals a pause Press 150 to play back number	You will hear 3 beeps
<b>Program 2nd number (optional)</b> Press 51 (telephone number) # Press 151 to play back number	You will hear 3 beeps
<b>Program 3rd number (optional)</b> Press 52 (telephone number) # press 152 to play back number	You will hear 3 beeps
<b>Program 4th number (optional)</b> Press 53 (telephone number) # Press 153 to play back number	You will hear 3 beeps
<b>Program voice message</b> Press 10 Speak at beep To stop press "1" Message plays back Press 20 to play back again	You will hear 3 beeps
<b>Exit programming</b> Press #	Red LED will go out

After entering the Programming Password 2# there is 20 seconds allowed between keypad entries. If 20 seconds pass without an entry, a raucous tone is heard. At the third raucous tone the T1250 shuts off.

## Additional Function Programming

The quick programming will satisfy most installations. However, many additional functions or modes of operation can be activated for special installation situations.

Just as shown in quick programming, all functions are activated by first pressing a two or three digit Program Code after the programming mode has been entered. After entering the Program Code, enter a Program Action such as numbers or voice if required. A completed program sequence is always followed by three beeps.

The following table lists all of the T1250 Program Codes and their description. The last column lists the factory settings and the Default 90 settings. The T1250 can be reset to the Default 90 settings at any time by entering the Program Code 90 while in the programming mode.

<b>Prog. Code</b>	<b>Program Action</b>	<b>Description:</b>	<b>Factory/Default</b>
10	Speak Message at first beep then press #	<b>Record first voice message</b> - One 18 second or two 9 second messages can be stored (See codes 31, 32, 34 below). Message automatically plays back for review.	Factory set for 20 second message
11	Speak Message at first beep then press #	<b>Record second voice message</b> – May be 9 seconds long. Message automatically plays back for review.	
20	None	<b>Play back first voice message for review</b>	
21	None	<b>Play back second voice message for review</b>	
31	None	<b>Select Single 18 Second Message</b> – Message is heard by patron and by agent	Factory set
32	None	<b>Select Two Messages</b> (2nd message heard only by agent)	
34	None	<b>Select Two Messages</b> (2nd message heard by both patron and agent)	
40	None	<b>Set dial mode to DTMF</b> - DTMF means “Dual Tone Multi-Frequency”, or tone dialing	Factory set
41	None	<b>Set dial mode to pulse</b> - This is the old-fashioned click-click-click of rotary dialing	
42	Enter number from 1 to 9 then #	<b>Set ring count</b> – This causes the T1250 to wait for the programmed number of rings before answering an incoming call. It is normally used when the T1250 shares a line with another non-emergency telephone answered by a person. Ring count can be set for 1 to 9 rings.	Default 90 sets this to answer on 1 ring
43	Enter number in seconds (0 to 99) and then #	<b>Set listen to ring time</b> - This sets the amount of time the T1250 will listen to ring back tones before it gives up and dials the next programmed number	Default 90 sets this to 30 seconds
44	None	<b>Disable Shared Line Detection</b>	Factory Default
45	None	<b>Enable Shared Line Detection</b>	
50	Enter telephone number and then #	<b>Load first dialed number</b> - This is the first number dialed when the push button is pressed. From 0 to 20 digits can be entered including a * which causes a 2 second pause. For ringdown systems, this entry is left blank (50# is entered). For ringdown the second, third and fourth dialed numbers must also be blank.	Factory set to be blank
51	Enter telephone number and then #	<b>Load second dialed number</b> – This is the optional second number dialed by the T1250. If a number is programmed here, there must be numbers programmed in the first dialed number location.	Factory set to blank
52	Enter telephone number and then #	<b>Load third dialed number</b> – This is the optional third number dialed by the T1250. If a number is programmed here, there must be numbers programmed in the first and second dialed number locations.	Factory set to blank
53	Enter telephone number and then #	<b>Load fourth dialed number</b> – This is the optional fourth number dialed by the T1250. If a number is programmed here, there must be numbers programmed in the first, second and third dialed number locations.	Factory set to blank

55	Enter telephone number and then #	<b>Load backup battery warning number</b> – If programmed, this is the number the T1250 will call if AC power has been lost and the unit has been operating on battery back up for 15 minutes. Leaving this blank disables this feature.	Factory set to blank
56	Enter number and then #	<b>Load computer identifier</b> – This number can be loaded up to 20 digits. It is sent out in response to a 7 entered by the receiving party during a call. It is also sent during battery calls. It is normally used when the T1250 is connected to computer for remote monitoring.	Factory set to blank
57	Enter number and then #	<b>Load programming password</b> – The password can have from 0 to 20 digits. Leaving this blank is legal, allowing you to get into programming mode by entering only a 2#. With a password, entry is by entering 2 (password) #.	Factory set to blank which means 2# for programming mode entry
58	Enter number and then #	<b>Load Converse/Monitor Password</b> – The password can have from 0 to 20 digits. Leaving this blank is legal, allowing you to get into the hang up mode by entering 1# or the monitor mode by entering 4#.	Factory set to blank which means 1# for hang up mode entry or 4# for monitor mode entry
63	Enter number of minutes (1 to 99) then #	<b>Set maximum conversation time</b> – The number programmed sets the time in minutes (from 1 to 99) that a conversation can last between the patron and the receiving party before requiring entry of a 1, 2, or 3 by the receiving part to continue conversation. The T1250 will emit a buzz to warn of the calls end and then waits 10 seconds before hanging up if nothing is entered.	Default 90 sets this to 10 minutes
64	Enter number of seconds (10 to 99) and then #	<b>Set silence timeout</b> – This terminates the conversation after a programmed period of silence (10 to 99 seconds). This is only used if no other means of hanging the T1250 is available (no positive disconnect, no return to dial tone, no return to fast busy).	Default 90 sets this to 0 or disabled
65	Enter number in seconds (7 to 99) and then #	<b>Set return to dial tone hang up time</b> – This sets the time that the T1250 listens to a dial tone at the end of a conversation before hanging up. This dial tone is sometimes provided when positive disconnect signals are not provided.	Default 90 sets this to 20 seconds
66	Enter number in seconds (7 to 99) and then #	<b>Set hang up time on busy/reorder</b> – This sets the time that the T1250 listens to a busy/reorder tone at the end of a conversation before hanging up. Busy/reorder is sometimes provided when positive disconnect signals are not provided.	Default 90 sets this to 20 seconds
70	None	<b>Set answering mode to ring thru</b> – This sets the T1250 to automatically “ring thru” if no keystrokes are entered after the first beep is heard.	Default 90 sets to “ring thru” mode
71	None	<b>Set answering mode to hang up</b> – This sets the T1250 to hang up if no keystrokes are entered by the calling party after the first beep is heard.	



72	Enter number of message plays (0 to 3) and then #	<b>Set number of voice message repetitions</b> – This sets the number of times the voice message is played after the receiving party has answered.	Default 90 sets this to 2 message plays
89	Enter number in seconds (7 to 99) then #	<b>Set ringback tone silence time</b> – This sets the time that the T1250 listens for a ringback tone after dialing before giving up and redialing.	Default 90 sets this to 10 seconds.
90	None	<b>Set program defaults</b> – This sets the program functions marked as default 90 in the last column back to their default value.	
150	None	<b>Play back first dialed number</b>	
151	None	<b>Play back second dialed number</b>	
152	None	<b>Play back third dialed number</b>	
153	None	<b>Play back fourth dialed number</b>	

## Multiple Phones on a Line

Up to five T1250s may be connected to one phone line if the line is in tip-top shape and is connected to a PBX or Central Office switch that provides loop current greater than 60 milliamps. However, to be conservative and for reduced risk, it is recommended that no more than three phones be attached to one line.

To access each T1250 individually, each phone must be programmed with a unique programming password and a unique monitoring password (see program codes 57 and 58).

When calling in to an individual T1250, the monitor password for that unit is entered at the single beep.

To access all of the T1250s, no monitor password is entered.

## Shared Line Detection

In situations where two or more phones share one line, enabling the Shared Line Detection will prevent possible misdial due to phone going off hook and dialing simultaneously. With this code enabled only one phone will dial when two or more phone go off hook simultaneously.

## T1250 Troubleshooting Guide

Always visually check the phone for loose or shorted wires, physically damaged or missing components. The phone will not work on a Digital phone line. It will **only** work on **an Analog** phone line or an Analog port from a digital phone system.

**Problem:** Phone would not turn 'ON'

**Possible Cause:**

- Check Power supply voltage at the J2 three pin connector. (Normally 12-24VDC)
- Check polarity on the J2 power connector. The 2 outer pins are negative and the center pin is positive.
- Check phone line connection. (Phone line plugs into the J1 connector)
- Check phone line voltage (Normal C.O. line 48-52VDC or 20-35VDC – Internal systems)
- Check if unit is pulling down line voltage (You should read the same as the phone line voltage)
- Check voltage at controller
- On an OEM style phone Remove button connector and try shorting button connection at J10 pins.

**Problem:** Phone Dials Incorrect number

**Possible Cause:**

- Check number programmed into phone. Press any number on the T1250 keypad. Enter 2#, listen for three (3) beeps. Enter 150 and listen for the phone number.
- Plug a phone in the same line as your phone and call the same number you are trying to program to see if you can call out.
- Check to see if the phone is on a ring down line
- Check to see if another auto dialer is on the line and remove it
- Reprogram the T1250 using the keypad on the back or by calling into the phone.

**Problem:** No sound thru speaker

**Possible Cause:**

- Check speaker connection (Speaker plugs into the J3 connector)
- Try calling into unit and speaking to person.
- Make sure that the speaker volume is adjusted properly.
- Call into the phone and program the default code "90" that will reset factory settings.

**Problem:** Noise on the line

**Possible Cause:**

- Measure AC voltage on line, should be zero
- Try a spare pair of wires thru phone cable.
- Check power supply at J2. It must be 12-24 Volts isolated DC power supply.

**Problem:** Phone dials out but has broken communication

**Possible Cause:**

- Check mounting of unit
- Make sure that the speaker and microphone volumes are adjusted properly.
- Check to see if person-answering call is using a handset. Headsets could cause problems.
- Call into the phone and program the default code "90" that will reset factory settings.

**Problem:** Phone cannot be programmed

**Possible Cause:**

- Make sure you are using a touchtone phone
- If you are using a cell phone do not stand next to the unit
- Measure AC voltage on the phone line, should be zero volts.
- The phone will only work on an Analog phone system and not digital.
- Contact our tech-support line so we can call in and reset the password.

**Problem:** Phone rings busy

**Possible Cause:**

- Check if other devices are on the line
- Check voltage on phone line
- Check polarity on phone line
- Make sure unit is off
- Remove our unit from the line to see if line is still busy

**Problem:** Phone does not answer incoming calls

**Possible Cause:**

- Check phone line connection
- Check ring voltage (min. 65VRMS)
- Check phone line ringing with a touch-tone phone.
- Check power supply at J2. It must be 12-24 Volts isolated DC power supply.

## FCC and Industrie Canada Certifications

### FCC Notification and Repair Information

This equipment complies with Part 15 and part 68 of the FCC Rules. Operation subject to the following two conditions: (1) This device may not cause harmful interference, and (2) This device must accept any interference received, including interference that may cause undesired operation. On this equipment is a label that contains, among other information, the FCC registration number and ringer equivalence number (REN) for this equipment. If requested, this number must be provided to the telephone company.

In compliance with those rules, you are advised of the following:

**Means of Connection:** Connection to the telephone network shall be through a standard network interface jack USOC RJ11C. These USOC jacks must be ordered from your Telephone Company. FCC compliant line cords are not provided with this equipment for connecting to the telephone company provided USOC RJ11C jacks. Use only FCC compliant line cords and jacks for these connections. Connection to party line services is subject to state tariffs. Contact the state public utility commission, public service commission or corporate commission for information.

**REN Information:** The REN is used to determine the quantity of devices that may be connected to the same telephone line. Excessive RENs on the telephone line may result in the devices not ringing in response to incoming calls. In most, but not all areas, the sum of RENs should not exceed five (5). To be certain of the number of devices that may be connected to a line, as determined by the total RENs, contact the local telephone company. For products approved after July 23, 2001, the REN for this product is part of the product identifier that has the format US:AAAEQ##TXXXX. The digits represented by ## are the REN without a decimal point (e.g., 03 is a REN of 0.3). For earlier products, the REN is separately shown on the label.

**Repair Instructions:** If you experience trouble because your equipment is malfunctioning, the FCC requires that you disconnect the equipment from the network and not use it until the problem has been corrected. Repairs to this equipment can only be made by the manufacturer, its authorized agents, or by others who may be authorized by the FCC. In the event repairs are needed on this equipment, please contact your supplier of this unit.

**Rights of the Local Telephone Company:** If this equipment causes harm to the telephone network, the local telephone company may discontinue your service temporarily. If possible, they will notify you in advance. But if advance notice is not practical, you will be notified as soon as possible. You will also be advised of your right to file a complaint with the FCC. Your local telephone company may make changes in its facilities, equipment, operations or procedures that affect the proper functioning of this equipment. If they do, you will be notified in advance to give you an opportunity to maintain uninterrupted telephone service.

If trouble is experienced with this equipment, for repair or warranty information, please contact Janus 1-800-527-9156. If the equipment is causing harm to the telephone network, the telephone company may request that you disconnect the equipment until the problem is resolved.

Connection to party line service is subject to state tariffs. Contact the state public utility commission, public service commission or corporation commission for information.

### WHEN PROGRAMMING EMERGENCY NUMBERS AND (OR) MAKING TEST CALLS TO EMERGENCY NUMBERS:

- 1) Remain on the line and briefly explain to the dispatcher the reason for the call.
- 2) Perform such activities in the off-peak hours, such as early morning or late evenings.

The mounting of the approved unit in the final assembly must be made so that the approved unit is isolated from exposure to any hazardous voltages within the assembly. Adequate separation and restraint of cables and cords must be provided. The circuitry from the approved unit to the telephone line must be provided in wiring that carries no other circuitry (such as PC or PR leads) unless specifically allowed by the rules. PC board traces carrying tip and ring leads shall have sufficient spacing to avoid surge breakdown.

## **Industrie Canada Notification and Repair Information**

The Industry Canada (IC) label identifies certified equipment. This certification means that the equipment meets certain telecommunications network protective, operational, and safety requirements. The IC does not guarantee the equipment will operate to the user's satisfaction.

Before installing this equipment, users should ensure that it is permissible to connect it to the facilities of the local telecommunications company. The equipment must also be installed using an acceptable method of connection. In some cases, the company's inside wiring for single-line individual service may be extended by means of a certified connector assembly (telephone extension cord). The customer should be aware that compliance with the above conditions may not prevent degradation of service in some situations.

Repairs to certified equipment should be made by the manufacturer or authorized Canadian maintenance facility designated by the manufacturer. Any repairs or alterations made by the user to this equipment, or any equipment malfunctions, may give the telecommunications company cause to request the user to disconnect the equipment.

Users should ensure for their own protection that the electrical ground connections of the power utility, telephone lines, and internal metallic water pipe system, if present, are connect. This precaution may be particularly important in rural areas.

**CAUTION:** Users should not attempt to make such connections themselves, but should contact the appropriate electrical inspection authority or electrician, as appropriate.

## **WARRANTY STATEMENT**

Avire Inc. warrants its products to be free from defects in materials and workmanship under normal use and service for 24 months (2 years) from date of purchase. Seller's obligation shall be limited to repairing or replacing, at its option, free of charge for materials or labor any product which proves defective in materials or workmanship under normal use and service. Avire shall not be responsible for any damage to the unit incurred during installation. Seller shall have no obligation under this Limited Warranty or otherwise if the product is altered or improperly repaired or serviced by anyone other than Avire factory service. For warranty service, contact Avire at (631) 864-3699 or (800) 527-9156.

THERE ARE NO WARRANTIES, EXPRESS OR IMPLIED, OF MERCHANTABILITY, OR FITNESS FOR A PARTICULAR PURPOSE OR OTHERWISE, WHICH EXTEND BEYOND THE DESCRIPTION ON THE FACE HEREOF. IN NO CASE SHALL SELLER BE LIABLE TO ANYONE FOR ANY CONSEQUENTIAL OR INCIDENTAL DAMAGES FOR BREACH OF THIS OR ANY OTHER WARRANTY, EXPRESS OR IMPLIED, OR UPON ANY OTHER BASIS OF LIABILITY WHATSOEVER, EVEN IF THE LOSS IS CAUSED BY THE SELLER'S OWN NEGLIGENCE OR FAULT.