



VPP A705

POWER AND DISTRIBUTION MODULE

INSTALLATION AND OPERATION MANUAL



AVIRE

Avire Inc
415 Oser Avenue, Suite Q, Hauppauge, New York 11788
Phone: 631 864 3699 Toll Free: 800 527 9156
Fax: 631 864 2631 Email: sales.us@avire-global.com
www.avire-global.com www.januselevator.com

A HALMA COMPANY

45021C

A705 Installation and Operation

The A705 is a Power and Distribution Module capable of connecting up to 16 Emergency/Assistance Telephones to power and to PBX extensions or Central Office Lines (outside lines).

MODELS:

The A705-8 connects up to 8 Emergency/Assistance Telephones.

The A705-16 connects up to 16 Emergency/Assistance Telephones.

OVERALL SYSTEM

This system consists of 3 major components. They are the remotely located Emergency/Assistance Telephones, the telephone lines and the centrally located A705 Module.

Calls placed by pressing the push button on an Emergency/Assistance telephone can be programmed to automatically dial to a Remote Answering Phone. The Remote Answering Phone can be used to dial the telephone number of each Emergency/Assistance Telephone.

All wiring to each Emergency/Assistance Telephone is from the A705 Power and Distribution Module, which combines the telephone signals with power in a convenient quick-connect connector area.

INTERCONNECT WIRING

All interconnection wiring between each Emergency/Assistance Telephone, and the A705 module, should be 2 pair, 22AWG or larger cable and should be no longer than 1500 feet. Please refer to your local codes for appropriate wiring specifications. The wiring should be color coded so that each wire and each pair can be identified. The two wires in pair 1 that connect to each Emergency/Assistance Telephone should be identified as **(T)** and **(R)**. The two wires in pair 2 that connect to each Emergency/Assistance Telephone should be identified as **(+)** and **(-)**. **NOTE: Polarity Counts!**

WIRING TO THE EMERGENCY/ASSISTANCE TELEPHONES

- 1. Incoming wire** - Typically, a mounting enclosure and an adhesive backed modular wall jack with a power pigtail along with a modular cord have been provided with each Emergency/Assistance Telephone. Fasten the modular wall jack to the back of the wall box with the modular connector facing to the left. Take the incoming pair previously designated **T** and **R** and wire the **T** wire to the **grn** screw terminal. Wire the **R** wire to the **red** screw terminal. Take the incoming pair previously designated **+ -** and wire the **+** wire to the screw terminal designated **yel**. Wire the **-** wire to the **blk** screw terminal. **NOTE: Polarity Counts!**
- 2. Wires to the Emergency/Assistance Telephone** – Connect the supplied modular cord between the modular wall jack and the modular jack on the back of the telephone. Connect the three prong power pigtail from the modular wall jack to the mating connector on the back of the telephone. Leave the battery switch on the back of the telephone turned off. This is only used in

special situations. Secure the telephone to its mounting case while making sure that no wires are crushed.

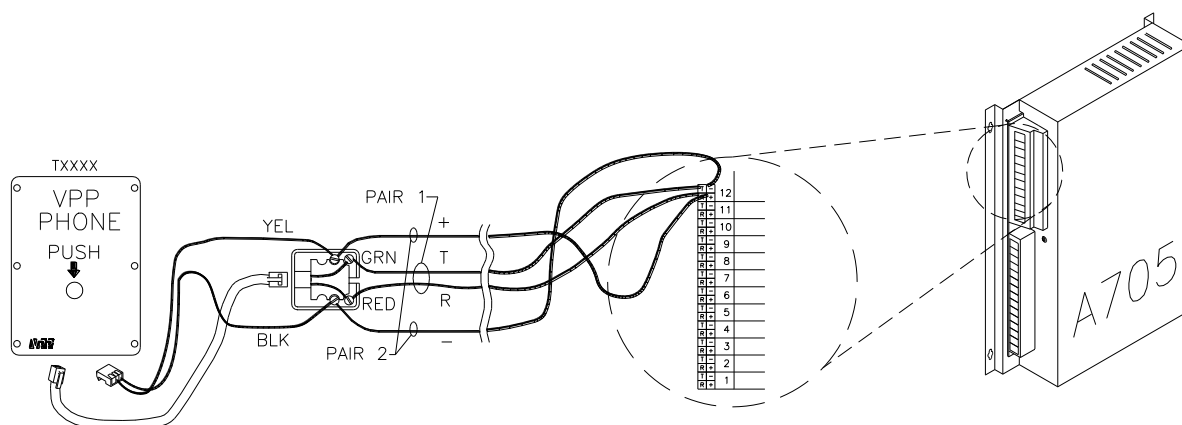
INSTALLATION OF THE A705 MODULE

1. **Mounting the A705 Module** – Locate the unit in a dry place with access to 110-120VAC. Provide enough room around the unit for incoming wiring. There are 4 keyhole-shaped mounting holes on the unit. Use them as a template for marking the wall. If mounting on a wall which may sweat (masonry, etc.), use an intermediate plywood panel to mount the unit. The unit is mounted with the arrow on the front pointing up.
2. **Wiring the incoming lines from the Emergency/Assistance Phones** - All connections to the A710 are through two-tiered, quick-connect screwdriver activated connectors. A screwdriver is pushed into the slot above the connection, the stripped wire is pushed into the connector and the screwdriver is removed. Removing the screwdriver locks the wire in place. The upper tier of each connector is used for power (+/-) and the lower tier is used for T - R. The connector layout and phone extension numbers are identified in drawing below. Wire the Emergency/Assistance Telephones beginning with extension 10 of the connectors. Take the previously designated incoming T-R pair from the first Emergency/Assistance Telephone and connect the **T** wire to the **T** quick-connect contact and the **R** wire to the **R** quick-connect contact. Take the previously designated incoming + - pair from the first Emergency/Assistance Telephone and connect the **+** wire to the **+** quick-connect contact and the **-** wire to the **-** quick-connect contact. **NOTE: Polarity Counts!** Continue wiring until all Emergency/Assistance Telephones are fastened.

INSTALLATION OF THE CENTRAL OFFICE LINE

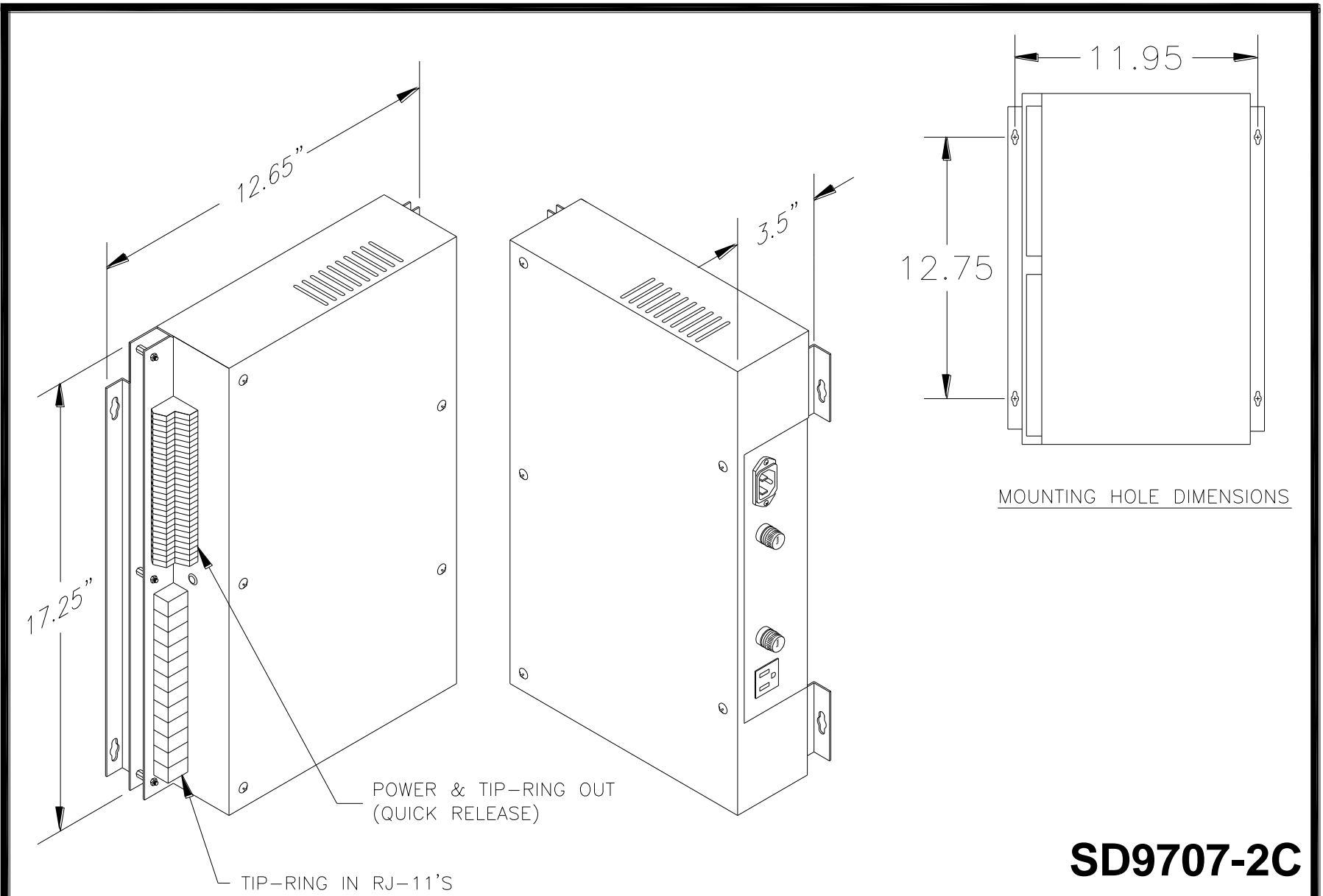
1. **Connecting the line** – Take the PBX extension or Central Office Line (outside line) and connect it directly to modular connector on the A705 module using a cord equipped with a modular plug.

The first modular connector corresponds with the first Emergency/Assistance Telephone



connector.

DISCLAIMER: Janus takes no responsibility for interpretation of safety codes for any given region, nor assumes any liability for mis-interpretation of those codes by any separate party.



**A705-X POWER & DISTRIBUTION
MODULE DIMENSIONS**

SD9707-2C

VPP Janus Elevator Products/EMS
 125 RICEFIELD LANE
 HAUPPAUGE, N.Y., 11788
 (631) 864-3699 FAX (631) 864-2631