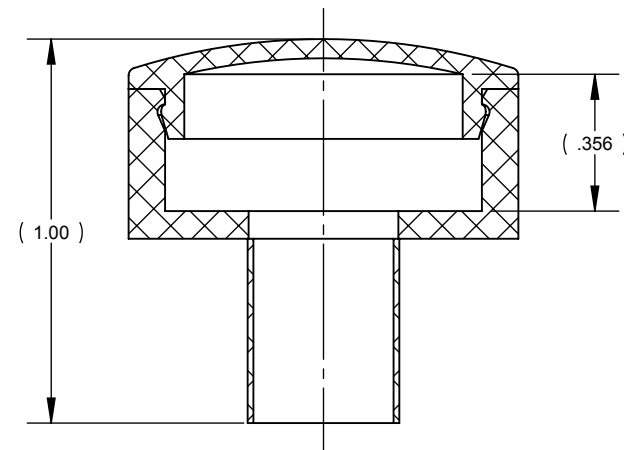
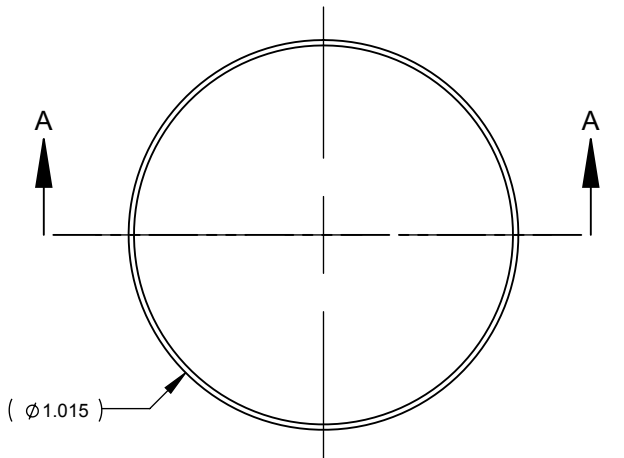


2

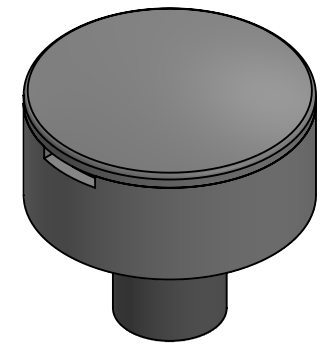
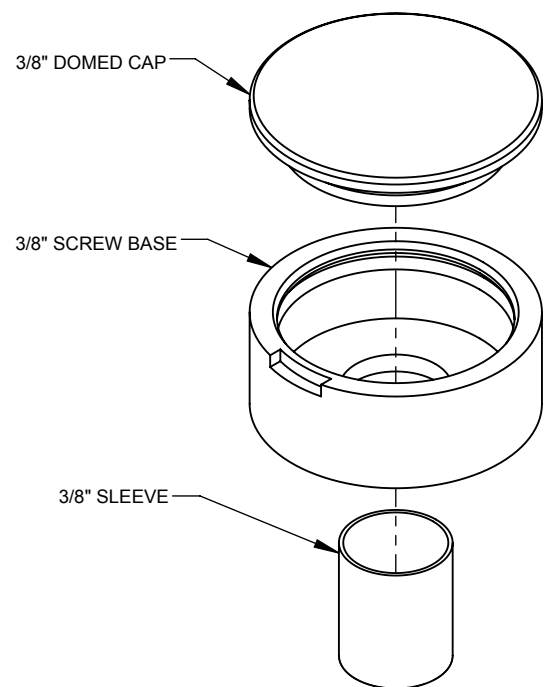
1

**BILL OF MATERIAL TABLE**

ITEM NO.	PART NUMBER	DESCRIPTION	QTY.
1	STD-SW-01	3/8" DOMED CAP	1
2	STD-SW-02	3/8" SCREW BASE	1
3	STD-SW-03	3/8" SLEEVE	1



SECTION A-A



**eGlass Element™**  
**eGlass Solid™**  
**eGlass Vision™**  
**eGlass Picket™**

**PROPRIETARY AND CONFIDENTIAL**

THE INFORMATION CONTAINED IN THIS DRAWING IS THE SOLE PROPERTY OF EGLASS LLC. ANY REPRODUCTION IN PART OR AS A WHOLE WITHOUT THE WRITTEN PERMISSION OF EGLASS LLC IS PROHIBITED.

NOTES: UNLESS OTHERWISE SPECIFIED	
1. DIMENSIONS SHOWN - INCHES [MM].	DIMENSIONS ARE IN INCHES
2. MACHINED SURFACES TO BE $\pm$ 63 $\mu$ IN MAX.	FRACTIONAL $\pm$
3. PART TO BE FREE OF BURRS AND SHARP EDGES.	ANGULAR: MACH $\pm$
4. ALL MATERIAL TO BE CLEAN, DEGREASED AND FREE OF ALL IMPURITIES.	TWO PLACE DECIMAL $\pm$
5. ANY CHANGE MUST BE AUTHORIZED BY AN EGLASS ENGINEER.	THREE PLACE DECIMAL $\pm$
MATERIAL	ASA
FINISH	
DO NOT SCALE DRAWING	

NAME	DATE
DRAWN V.P.	05/07/18
ENG APPR.	
MFG APPR.	
COMMENTS: PURCHASER HAS THE FULL RESPONSIBILITY TO COMPLY WITH LOCAL, NATIONAL AND INTERNATIONAL BUILDING CODES. PURCHASER SHALL COMPLY IN ALL RESPECTS WITH ALL APPLICABLE LEGAL REQUIREMENTS GOVERNING THE DUTIES, OBLIGATIONS, AND BUSINESS PRACTICES OF THEIR LOCALITIES AND SHALL OBTAIN ANY PERMITS OR LICENSES NECESSARY FOR THEIR OPERATIONS.	

<b>eGLASS RAILING™</b>		
TITLE: <b>3/8" SCREW COVER</b>		
SIZE <b>A</b>	DWG. NO. <b>STD-SW-00</b>	REV <b>2</b>
SCALE: 2:1	WEIGHT:	SHEET 1 OF 1

B

B

A

A

2

1