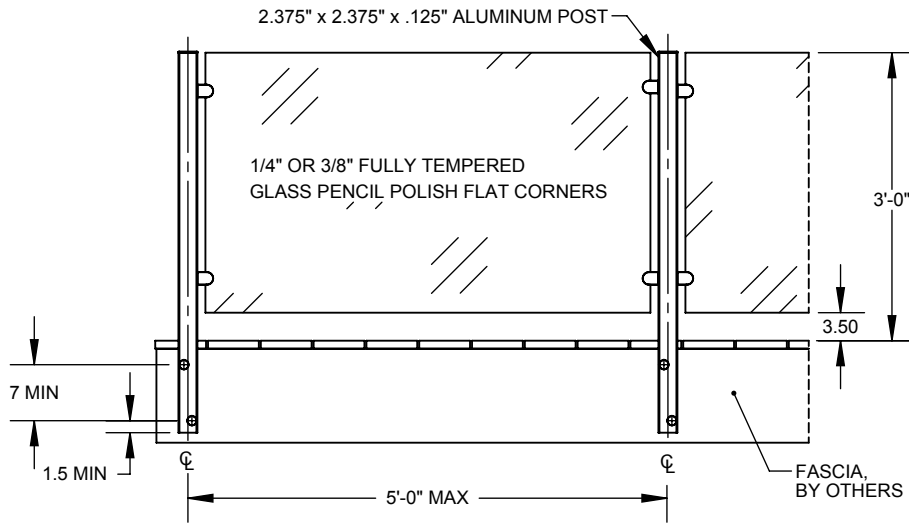
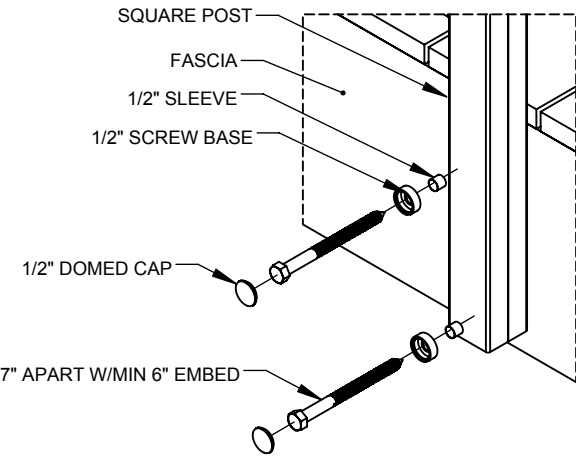


2

1



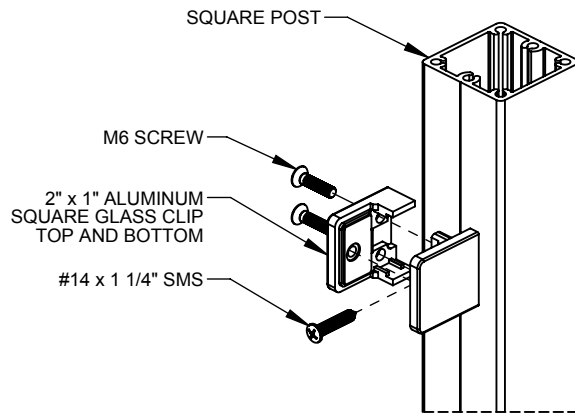
① GLASS WITHOUT TOP & BOTTOM RAIL, FASCIA MOUNT



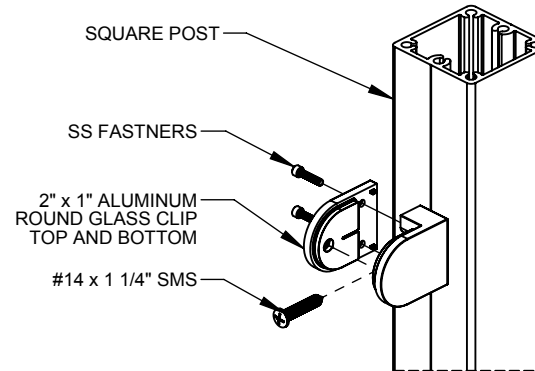
1/2" LAG SCREW, 7" APART W/MIN 6" EMBED

② TYP. POST TO DECK CONNECTION

SCALE 1 : 8



○ OPTION -1  
SCALE 1 : 4



③ POST-CLIP CONNECTION

○ OPTION -2  
SCALE 1 : 4

eGlass Vision™

PROPRIETARY AND CONFIDENTIAL

THE INFORMATION CONTAINED IN THIS DRAWING IS THE SOLE PROPERTY OF EGLASS LLC. ANY REPRODUCTION IN PART OR AS A WHOLE WITHOUT THE WRITTEN PERMISSION OF EGLASS LLC IS PROHIBITED.

NOTES: UNLESS OTHERWISE SPECIFIED

1. DIMENSIONS SHOWN - INCHES [MM].
2. MACHINED SURFACES TO BE 63uIN MAX.
3. PART TO BE FREE OF BURRS AND SHARP EDGES.
4. ALL MATERIAL TO BE CLEAN, DEGREASED AND FREE OF ALL IMPURITIES.
5. ANY CHANGE MUST BE AUTHORIZED BY AN EGLASS ENGINEER.

DIMENSIONS ARE IN INCHES  
FRACTIONAL ±  
ANGULAR: MACH ±  
TWO PLACE DECIMAL ±  
THREE PLACE DECIMAL ±

MATERIAL

FINISH

DO NOT SCALE DRAWING

NAME DATE  
V.P. 08/07/18

DRAWN  
ENG APPR.  
MFG APPR.

COMMENTS:  
PURCHASER HAS THE FULL RESPONSIBILITY TO COMPLY WITH LOCAL, NATIONAL AND INTERNATIONAL BUILDING CODES. PURCHASER SHALL COMPLY IN ALL RESPECTS WITH ALL APPLICABLE LEGAL REQUIREMENTS GOVERNING THE DUTIES, OBLIGATIONS, AND BUSINESS PRACTICES OF THEIR LOCALITIES AND SHALL OBTAIN ANY PERMITS OR LICENSES NECESSARY FOR THEIR OPERATIONS.



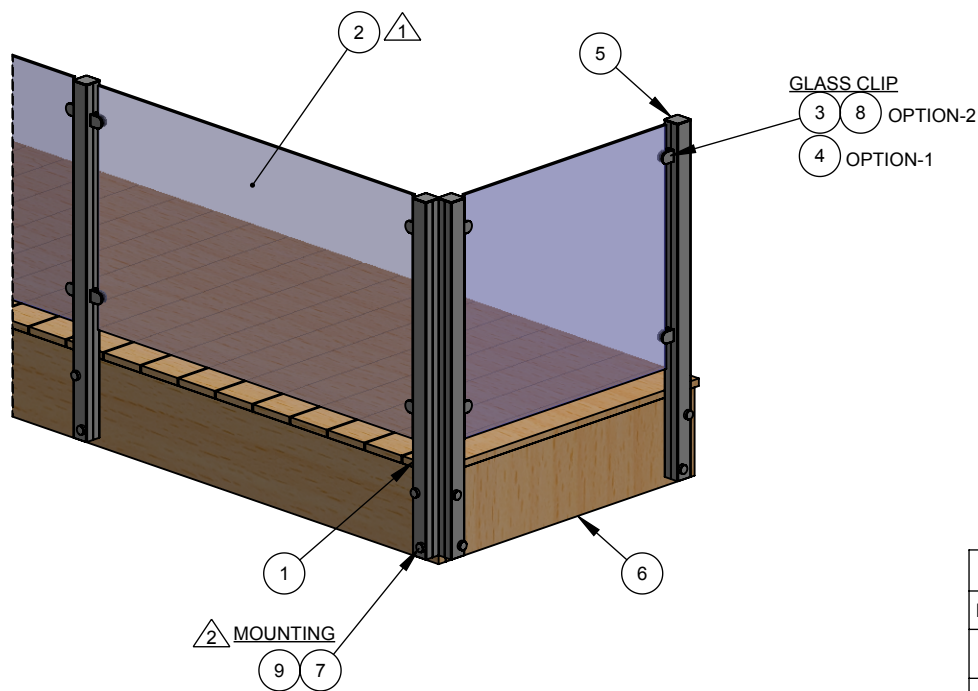
TITLE: **EGLASS VISION, FASCIA MOUNT, NO BRACKET, FLAT DECK, 36" RAILING SYSTEM**

SIZE DWG. NO. REV  
**A RVFF-00-00 3**

SCALE: 1:24 WEIGHT: SHEET 1 OF 2

2

1



NOTES:

- ① DIFFERENT SIZES OF GLASS PANELS ARE AVAILABLE. REFER DWG NO: RAAF-G2-08 (1/4" THK) AND RAAF-G3-08 (3/8" THK).

② MOUNTING:

FOR CONCRETE:

- 1. STD-AC-02 (1/2" THRU BOLT, 4" LENGTH)

FOR WOOD:

- 1. STD-AC-04 (1/2" LAG SCREW 7" PART W/MIN 6" EMBED)

BILL OF MATERIAL TABLE			
ITEM NO.	PART NUMBER	DESCRIPTION	QTY.
1	AAAA-SP-48	SQUARE POST, MEDIUM BLANK, (2 3/8" x 2 3/8" x 1/8" x 48")	AS REQD.
2	RAAF-G3-56	3/8" TEMPERED GLASS, DECK RAILING	AS REQD.
3	AVAA-GC-00	GLASS CLIP, ROUND	AS REQD.
4	AVAA-GC-20	FLAT SQUARE GLASS CLAMP	AS REQD.
5	AAAA-PC-01	POST CAP, 2 3/8" SQUARE POST	AS REQD.
6	STD-DK-02	DECK WOOD (OR) CONCRETE	AS REQD.
7	STD-AC-04	1/2" LAG SCREW, 7" APART W/MIN 6" EMBED	AS REQD.
8	STD-SC-07	#14 x 1 1/4" SMS	AS REQD.
9	STD-SW-10	1/2" SCREW COVER	AS REQD.

NOTES: UNLESS OTHERWISE SPECIFIED	
1. DIMENSIONS SHOWN - INCHES [MM]. 2. MACHINED SURFACES TO BE 63UIN MAX.	DIMENSIONS ARE IN INCHES FRACTIONAL ± ANGULAR: MACH ± TWO PLACE DECIMAL ± THREE PLACE DECIMAL ±
3. PART TO BE FREE OF BURRS AND SHARP EDGES.	MATERIAL
4. ALL MATERIAL TO BE CLEAN, DEGREASED AND FREE OF ALL IMPURITIES.	FINISH
5. ANY CHANGE MUST BE AUTHORIZED BY AN EGLASS ENGINEER.	DO NOT SCALE DRAWING

NAME	DATE
V.P.	08/07/18
DRAWN	
ENG APPR.	
MFG APPR.	
COMMENTS: PURCHASER HAS THE FULL RESPONSIBILITY TO COMPLY WITH LOCAL, NATIONAL AND INTERNATIONAL BUILDING CODES. PURCHASER SHALL COMPLY IN ALL RESPECTS WITH ALL APPLICABLE LEGAL REQUIREMENTS GOVERNING THE DUTIES, OBLIGATIONS, AND BUSINESS PRACTICES OF THEIR LOCALITIES AND SHALL OBTAIN ANY PERMITS OR LICENSES NECESSARY FOR THEIR OPERATIONS.	

TITLE: <b>EGLASS VISION, FASCIA MOUNT, NO BRACKET, FLAT DECK, 36" RAILING SYSTEM</b>		
SIZE	DWG. NO.	REV
<b>A</b>	<b>RVFF-00-00</b>	<b>3</b>
SCALE: 1:24	WEIGHT:	SHEET 2 OF 2

eGlass Vision™

PROPRIETARY AND CONFIDENTIAL

THE INFORMATION CONTAINED IN THIS DRAWING IS THE SOLE PROPERTY OF EGLASS LLC. ANY REPRODUCTION IN PART OR AS A WHOLE WITHOUT THE WRITTEN PERMISSION OF EGLASS LLC IS PROHIBITED.