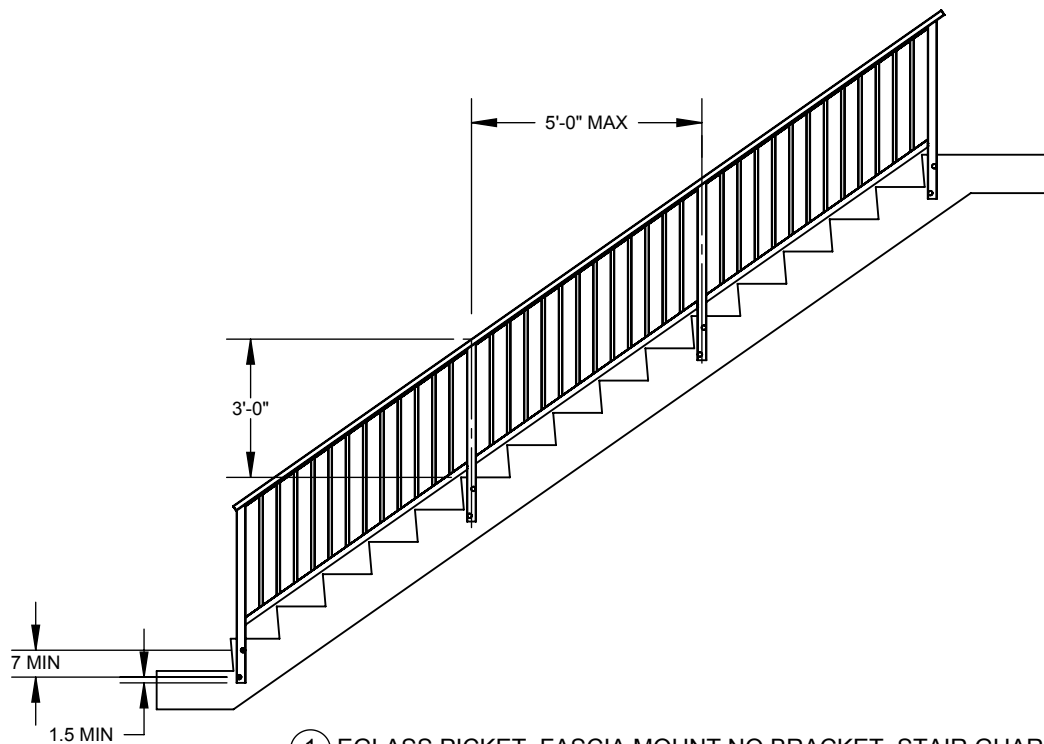


2

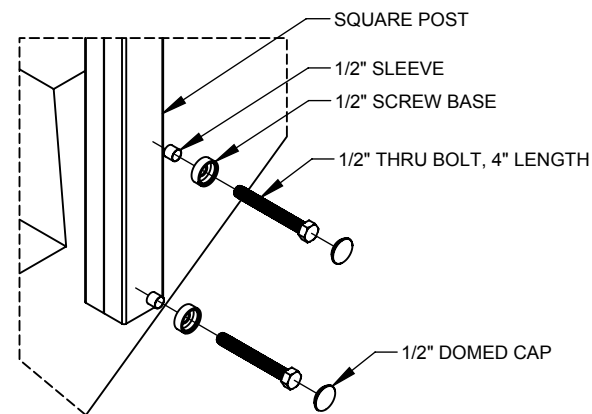
1

B

B



① EGLASS PICKET, FASCIA MOUNT, NO BRACKET, STAIR GUARD



② TYP. POST TO DECK CONNECTION
SCALE 1 : 8

A

A

eGlass Picket™

PROPRIETARY AND CONFIDENTIAL

THE INFORMATION CONTAINED IN THIS DRAWING IS THE SOLE PROPERTY OF EGLASS LLC. ANY REPRODUCTION IN PART OR AS A WHOLE WITHOUT THE WRITTEN PERMISSION OF EGLASS LLC IS PROHIBITED.

NOTES: UNLESS OTHERWISE SPECIFIED

1. DIMENSIONS SHOWN - INCHES [MM].
2. MACHINED SURFACES TO BE ± 0.003 IN MAX.
3. PART TO BE FREE OF BURRS AND SHARP EDGES.
4. ALL MATERIAL TO BE CLEAN, DEGREASED AND FREE OF ALL IMPURITIES.
5. ANY CHANGE MUST BE AUTHORIZED BY AN EGLASS ENGINEER.

DIMENSIONS ARE IN INCHES
 FRACTIONAL \pm
 ANGULAR: MACH \pm
 TWO PLACE DECIMAL \pm
 THREE PLACE DECIMAL \pm

MATERIAL

FINISH

DO NOT SCALE DRAWING

NAME DATE
 V.P. 08/07/18

DRAWN

ENG APPR.

MFG APPR.

COMMENTS:

PURCHASER HAS THE FULL RESPONSIBILITY TO COMPLY WITH LOCAL, NATIONAL AND INTERNATIONAL BUILDING CODES. PURCHASER SHALL COMPLY IN ALL RESPECTS WITH ALL APPLICABLE LEGAL REQUIREMENTS GOVERNING THE DUTIES, OBLIGATIONS, AND BUSINESS PRACTICES OF THEIR LOCALITIES AND SHALL OBTAIN ANY PERMITS OR LICENSES NECESSARY FOR THEIR OPERATIONS.



TITLE: **EGLASS PICKET, FASCIA MOUNT, NO BRACKET, STAIR GUARD, 36" RAILING SYSTEM**

SIZE DWG. NO. REV
A RLFS-00-00 2

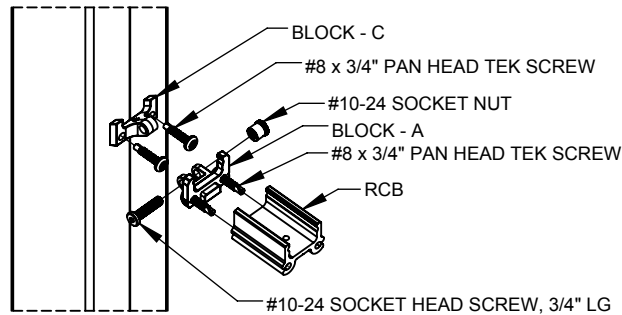
SCALE: 1:50 WEIGHT: SHEET 1 OF 3

2

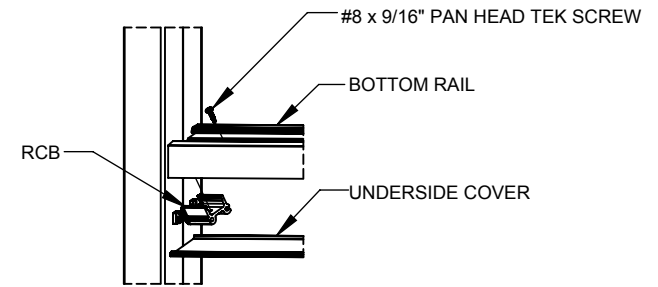
1

2

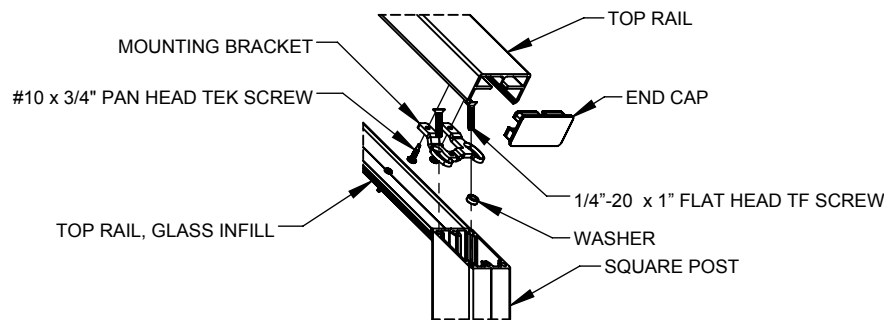
1



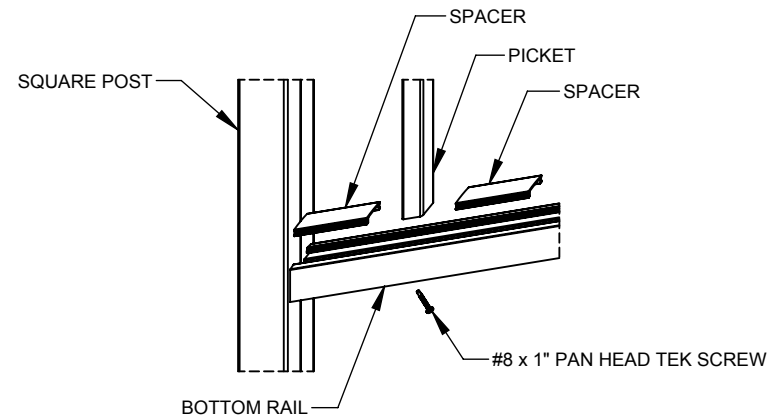
③ TYP. BOTTOM RAIL HINGE JOINT
SCALE 1 : 4



④ TYP. BOTTOM RAIL CONNECTION



⑤ TYP. TOP RAIL CONNECTION



⑥ TYP. PICKET AND SPACER INSTALLATION

eGlass Picket™

PROPRIETARY AND CONFIDENTIAL

THE INFORMATION CONTAINED IN THIS DRAWING IS THE SOLE PROPERTY OF EGLASS LLC. ANY REPRODUCTION IN PART OR AS A WHOLE WITHOUT THE WRITTEN PERMISSION OF EGLASS LLC IS PROHIBITED.

NOTES: UNLESS OTHERWISE SPECIFIED

1. DIMENSIONS SHOWN - INCHES [MM].
2. MACHINED SURFACES TO BE 63uIN MAX.
3. PART TO BE FREE OF BURRS AND SHARP EDGES.
4. ALL MATERIAL TO BE CLEAN, DEGREASED AND FREE OF ALL IMPURITIES.
5. ANY CHANGE MUST BE AUTHORIZED BY AN EGLASS ENGINEER.

DIMENSIONS ARE IN INCHES
FRACTIONAL ±
ANGULAR: MACH ±
TWO PLACE DECIMAL ±
THREE PLACE DECIMAL ±

MATERIAL

FINISH

DO NOT SCALE DRAWING

NAME DATE
V.P. 08/07/18

DRAWN
ENG APPR.
MFG APPR.

COMMENTS:
PURCHASER HAS THE FULL RESPONSIBILITY TO COMPLY WITH LOCAL, NATIONAL AND INTERNATIONAL BUILDING CODES. PURCHASER SHALL COMPLY IN ALL RESPECTS WITH ALL APPLICABLE LEGAL REQUIREMENTS GOVERNING THE DUTIES, OBLIGATIONS, AND BUSINESS PRACTICES OF THEIR LOCALITIES AND SHALL OBTAIN ANY PERMITS OR LICENSES NECESSARY FOR THEIR OPERATIONS.



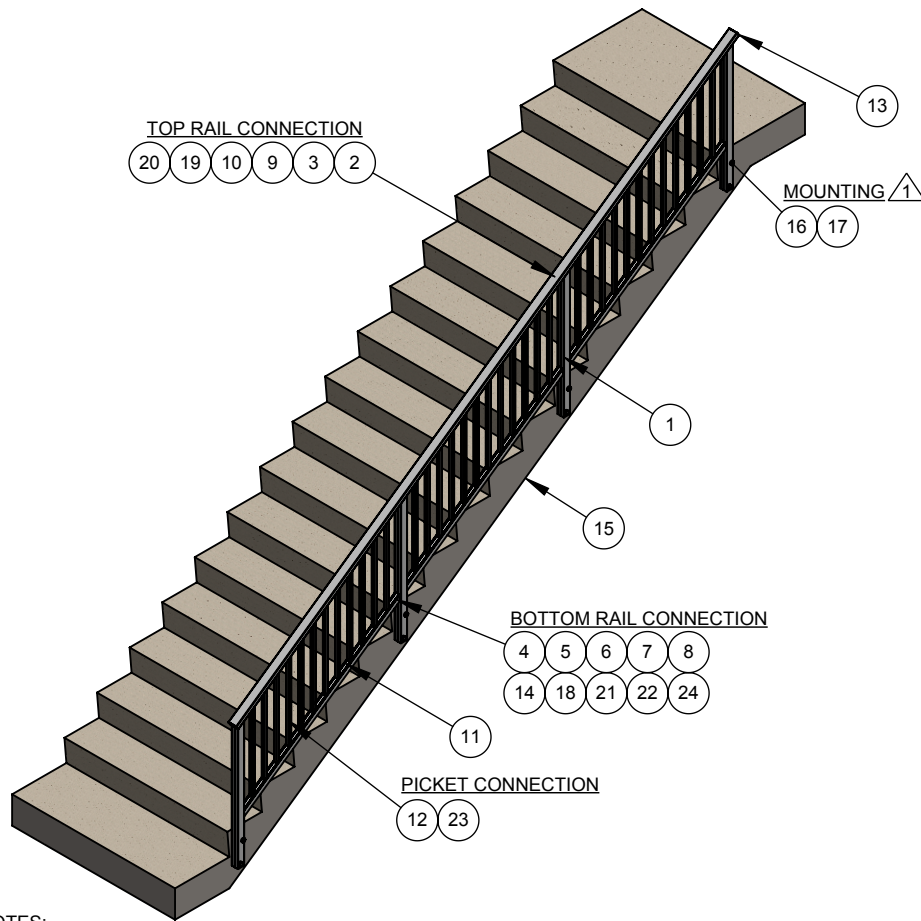
TITLE: **EGLASS PICKET, FASCIA MOUNT, NO BRACKET, STAIR GUARD, 36" RAILING SYSTEM**

SIZE DWG. NO. REV
A RLFS-00-00 2

SCALE: 1:8 WEIGHT: SHEET 2 OF 3

2

1



BILL OF MATERIAL TABLE			
ITEM NO.	PART NUMBER	DESCRIPTION	QTY.
1	AAAA-SP-48	SQUARE POST, MEDIUM BLANK, (2 3/8" x 2 3/8" x 1/8" x 48")	AS REQD.
2	810S-TR-01	810 SERIES, TOP RAIL (3" x 1 1/2" x 1/8"), 20' LENGTH	AS REQD.
3	ALAS-TI-01	EGLASS PICKET, INFILL, TOP RAIL (3" x 1 1/2" x 1/8"), 20' LENGTH	AS REQD.
4	APAS-BR-01	EGLASS PICKET, BOTTOM RAIL, 20' LENGTH	AS REQD.
5	AAAA-RC-01	RCB, 1.5" PRE-CUT	AS REQD.
6	AAAS-HJ-03	BLOCK - C	AS REQD.
7	AAAS-HJ-02	BLOCK - A	AS REQD.
8	AAAS-HJ-01	BLOCK - B	AS REQD.
9	ASAA-MB-01	EGLASS SOLID, MOUNTING BRACKET	AS REQD.
10	ASAA-WS-01	WASHER	AS REQD.
11	APAS-SR-01	EGLASS PICKET, SPACER	AS REQD.
12	APAS-PK-01	PICKET (1" x 1"), 37.5" LENGTH	AS REQD.
13	ASAA-EC-01	EGLASS SOLID, END CAP, TOP RAIL	AS REQD.
14	APAS-UC-01	EGLASS PICKET, BOTTOM RAIL, UNDERSIDE COVER, 20' LENGTH	AS REQD.
15	STD-DK-03	STEPS - CONCRETE	AS REQD.
16	STD-AC-02	1/2" THRU BOLT, 4" LENGTH	AS REQD.
17	STD-SW-10	1/2" SCREW COVER	AS REQD.
18	STD-SC-02	#8 x 9/16" PAN HEAD TEK SCREW	AS REQD.
19	STD-SC-03	#10 x 3/4" PAN HEAD TEK SCREW	AS REQD.
20	STD-SC-04	1/4"-20 x 1" FLAT HEAD TF SCREW	AS REQD.
21	STD-SC-12	#8 x 3/4" PAN HEAD TEK SCREW	AS REQD.
22	STD-SC-13	#10-24 SOCKET HEAD SCREW, 3/4" LG	AS REQD.
23	STD-SC-15	#8 x 1" PAN HEAD TEK SCREW	AS REQD.
24	STD-NT-03	#10-24 SOCKET NUT	AS REQD.

NOTES:

- △ MOUNTING:
FOR CONCRETE:
 1. STD-AC-02 (1/2" THRU BOLT, 4" LENGTH)
FOR WOOD:
 1. STD-AC-04 (1/2" LAG SCREW 7" APART W/MIN 6" EMBED)

eGlass Picket™

PROPRIETARY AND CONFIDENTIAL

THE INFORMATION CONTAINED IN THIS DRAWING IS THE SOLE PROPERTY OF EGLASS LLC. ANY REPRODUCTION IN PART OR AS A WHOLE WITHOUT THE WRITTEN PERMISSION OF EGLASS LLC IS PROHIBITED.

NOTES: UNLESS OTHERWISE SPECIFIED	
1. DIMENSIONS SHOWN - INCHES [MM].	DIMENSIONS ARE IN INCHES FRACTIONAL ±
2. MACHINED SURFACES TO BE 63uIN MAX.	ANGULAR: MACH ±
3. PART TO BE FREE OF BURRS AND SHARP EDGES.	TWO PLACE DECIMAL ±
4. ALL MATERIAL TO BE CLEAN, DEGREASED AND FREE OF ALL IMPURITIES.	THREE PLACE DECIMAL ±
5. ANY CHANGE MUST BE AUTHORIZED BY AN EGLASS ENGINEER.	MATERIAL
	FINISH
	DO NOT SCALE DRAWING

NAME	DATE
V.P.	08/07/18
DRAWN	
ENG APPR.	
MFG APPR.	
COMMENTS: PURCHASER HAS THE FULL RESPONSIBILITY TO COMPLY WITH LOCAL, NATIONAL AND INTERNATIONAL BUILDING CODES. PURCHASER SHALL COMPLY IN ALL RESPECTS WITH ALL APPLICABLE LEGAL REQUIREMENTS GOVERNING THE DUTIES, OBLIGATIONS, AND BUSINESS PRACTICES OF THEIR LOCALITIES AND SHALL OBTAIN ANY PERMITS OR LICENSES NECESSARY FOR THEIR OPERATIONS.	

TITLE:
EGLASS PICKET, FASCIA MOUNT, NO BRACKET, STAIR GUARD, 36" RAILING SYSTEM

SIZE A	DWG. NO. RLFS-00-00	REV 2
SCALE: 1:50	WEIGHT:	SHEET 3 OF 3