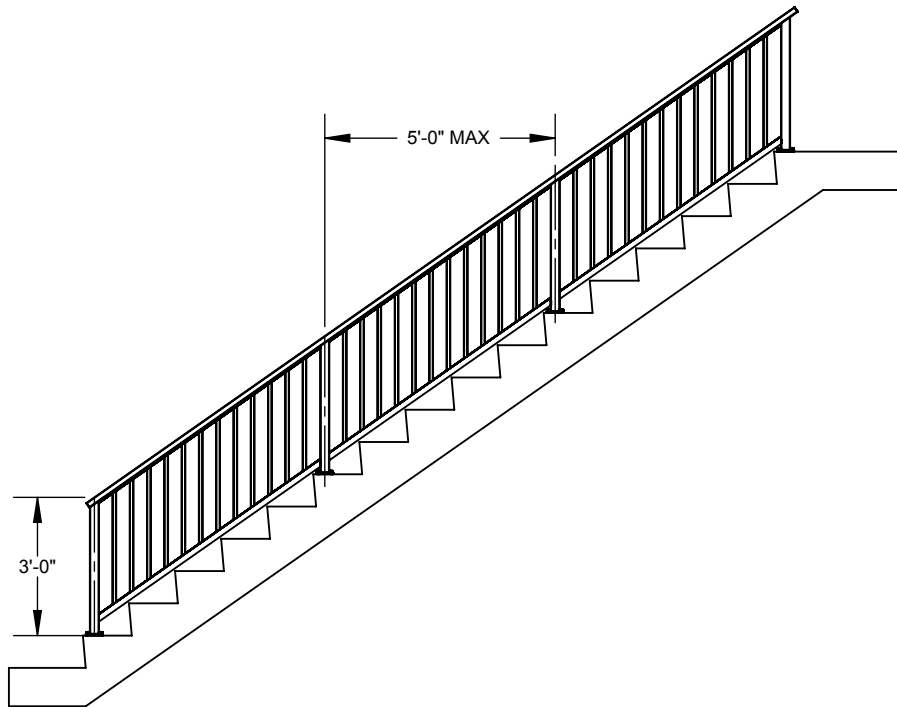


2

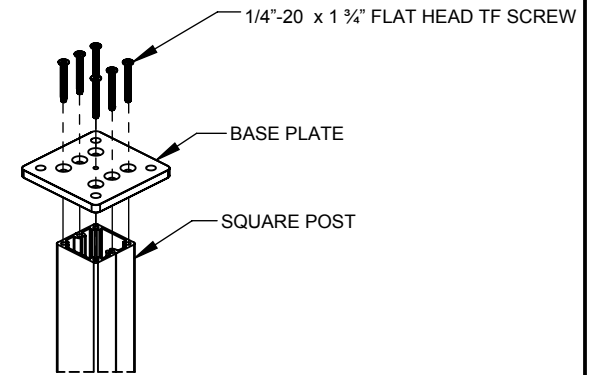
1

B

B

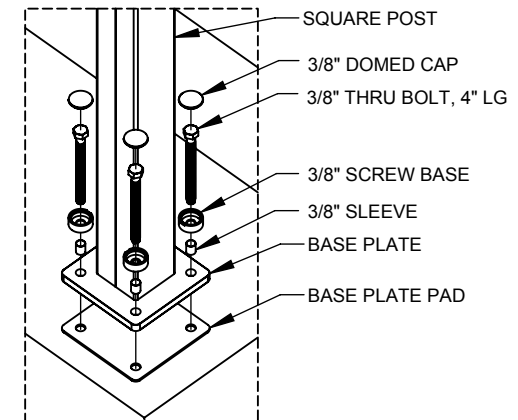


① EGLASS PICKET, DECK MOUNT, STAIR GUARD



② TYP. BASE PLATE TO POST CONNECTION

SCALE 1 : 8




③ TYP. POST TO DECK CONNECTION

SCALE 1 : 8

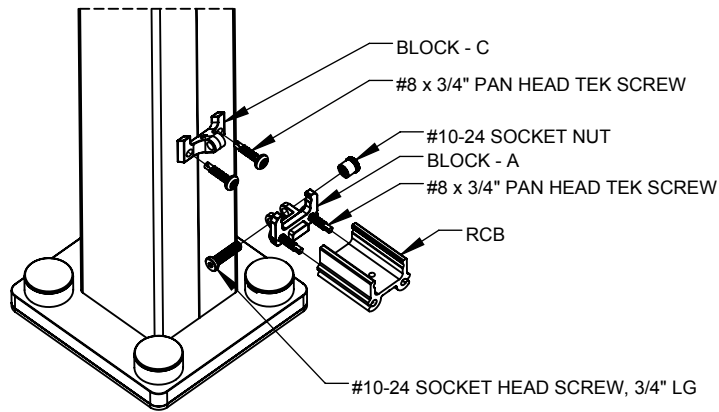
A

A

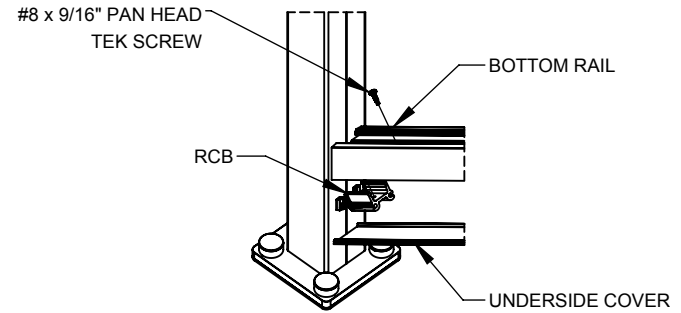
NOTES: UNLESS OTHERWISE SPECIFIED		NAME	DATE		
<p>eGlass Picket™</p> <p>PROPRIETARY AND CONFIDENTIAL</p> <p>THE INFORMATION CONTAINED IN THIS DRAWING IS THE SOLE PROPERTY OF EGLASS LLC. ANY REPRODUCTION IN PART OR AS A WHOLE WITHOUT THE WRITTEN PERMISSION OF EGLASS LLC IS PROHIBITED.</p>	<p>1. DIMENSIONS SHOWN - INCHES [MM].</p> <p>2. MACHINED SURFACES TO BE 63µIN MAX.</p> <p>3. PART TO BE FREE OF BURRS AND SHARP EDGES.</p> <p>4. ALL MATERIAL TO BE CLEAN, DEGREASED AND FREE OF ALL IMPURITIES.</p> <p>5. ANY CHANGE MUST BE AUTHORIZED BY AN EGLASS ENGINEER.</p>	DRAWN	V.P.		
	DIMENSIONS ARE IN INCHES	COMMENTS:			
	FRACTIONAL ±	PURCHASER HAS THE FULL RESPONSIBILITY TO COMPLY WITH LOCAL, NATIONAL AND INTERNATIONAL BUILDING CODES. PURCHASER SHALL COMPLY IN ALL RESPECTS WITH ALL APPLICABLE LEGAL REQUIREMENTS GOVERNING THE DUTIES, OBLIGATIONS, AND BUSINESS PRACTICES OF THEIR LOCALITIES AND SHALL OBTAIN ANY PERMITS OR LICENSES NECESSARY FOR THEIR OPERATIONS.			
	ANGULAR: MACH ±	MATERIAL	SIZE	DWG. NO.	REV
	TWO PLACE DECIMAL ±	FINISH	A	RLDS-00-00	2
THREE PLACE DECIMAL ±	DO NOT SCALE DRAWING	SCALE: 1:50	WEIGHT:	SHEET 1 OF 3	

2

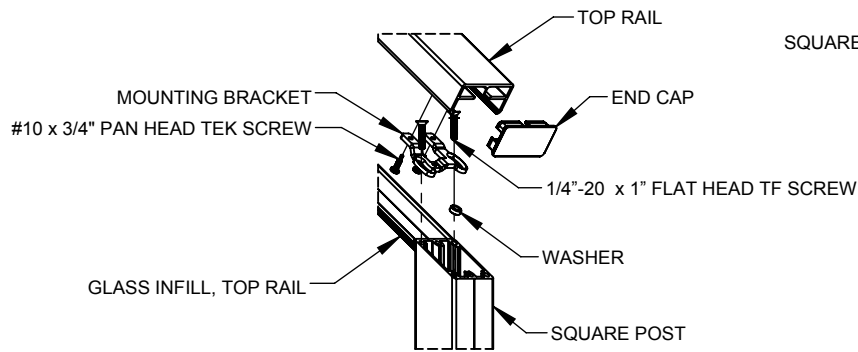
1



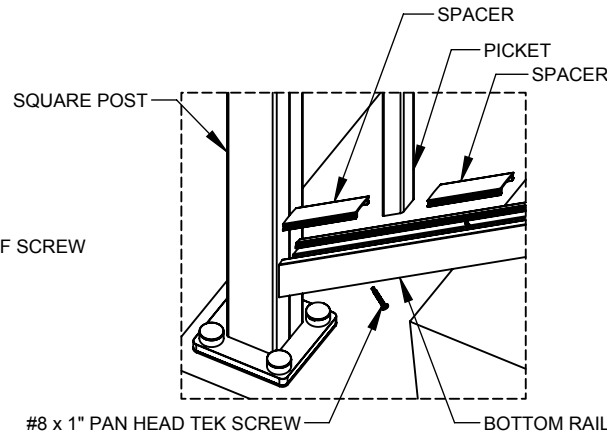
4 TYP. BOTTOM RAIL HINGE JOINT CONNECTION



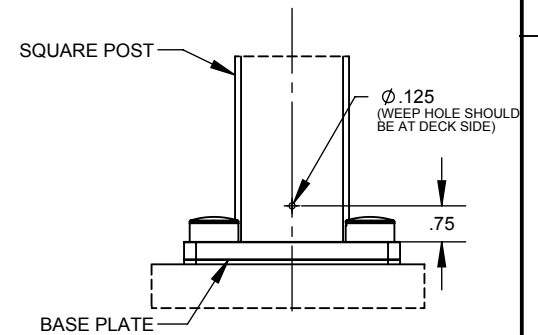
5 TYP. BOTTOM RAIL CONNECTION
SCALE 1:8



6 TYP. TOP RAIL CONNECTION
SCALE 1:8



7 TYP. PICKET AND SPACER INSTALLATION
SCALE 1:8



8 TYP. WEEP HOLE

eGlass Picket™

PROPRIETARY AND CONFIDENTIAL

THE INFORMATION CONTAINED IN THIS DRAWING IS THE SOLE PROPERTY OF EGLASS LLC. ANY REPRODUCTION IN PART OR AS A WHOLE WITHOUT THE WRITTEN PERMISSION OF EGLASS LLC IS PROHIBITED.

NOTES: UNLESS OTHERWISE SPECIFIED

1. DIMENSIONS SHOWN - INCHES [MM].
2. MACHINED SURFACES TO BE 63uIN MAX.
3. PART TO BE FREE OF BURRS AND SHARP EDGES.
4. ALL MATERIAL TO BE CLEAN, DEGREASED AND FREE OF ALL IMPURITIES.
5. ANY CHANGE MUST BE AUTHORIZED BY AN EGLASS ENGINEER.

DIMENSIONS ARE IN INCHES
FRACTIONAL ±
ANGULAR: MACH ±
TWO PLACE DECIMAL ±
THREE PLACE DECIMAL ±

MATERIAL

FINISH

DO NOT SCALE DRAWING

	NAME	DATE
DRAWN	V.P.	08/07/18
ENG APPR.		
MFG APPR.		

COMMENTS:
PURCHASER HAS THE FULL RESPONSIBILITY TO COMPLY WITH LOCAL, NATIONAL AND INTERNATIONAL BUILDING CODES. PURCHASER SHALL COMPLY IN ALL RESPECTS WITH ALL APPLICABLE LEGAL REQUIREMENTS GOVERNING THE DUTIES, OBLIGATIONS, AND BUSINESS PRACTICES OF THEIR LOCALITIES AND SHALL OBTAIN ANY PERMITS OR LICENSES NECESSARY FOR THEIR OPERATIONS.

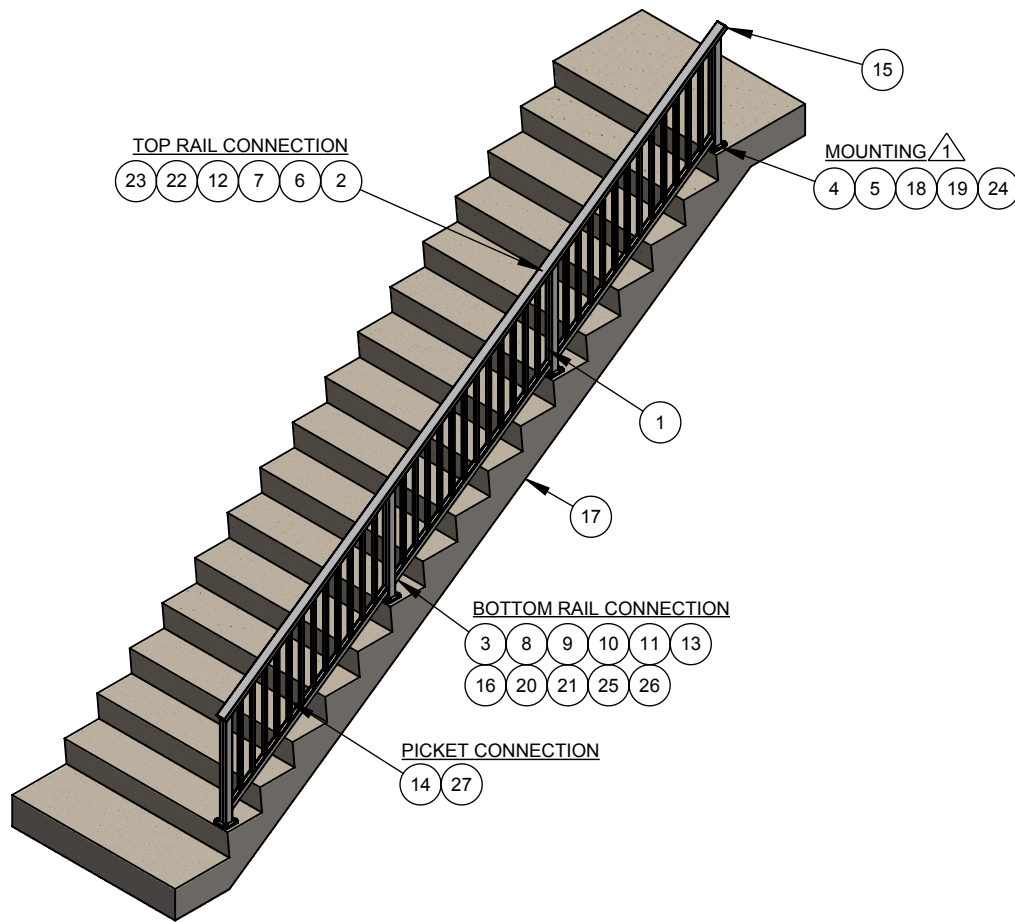


TITLE: **EGLASS PICKET, DECK MOUNT, STAIR GUARD, 36" RAILING SYSTEM**

SIZE	DWG. NO.	REV
A	RLDS-00-00	2
SCALE: 1:4	WEIGHT:	SHEET 2 OF 3

2

1



NOTES:

1. MOUNTING:
FOR CONCRETE:
 1. STD-AC-01 (3/8" THRU BOLT, 4" LENGTH)
FOR WOOD:
 1. STD-AC-03 (3/8" LAG SCREW W/MIN 6" EMBED)

BILL OF MATERIAL TABLE			
ITEM NO.	PART NUMBER	DESCRIPTION	QTY.
1	RADF-SP-36	SQUARE POST, SHORT BLANK, (2 3/8" x 2 3/8" x 1/8" x 36")	AS REQD.
2	810S-TR-01	810 SERIES, TOP RAIL (3" x 1 1/2" x 1/8"), 20' LENGTH	AS REQD.
3	APAS-BR-01	EGLASS PICKET, BOTTOM RAIL, 20' LENGTH	AS REQD.
4	RADA-BP-01	BASE PLATE, 36" HEIGHT SQUARE POST	AS REQD.
5	RADA-PD-01	BASE PLATE PAD, SQUARE POST	AS REQD.
6	ASAA-MB-01	EGLASS SOLID, MOUNTING BRACKET	AS REQD.
7	ASAA-WS-01	WASHER	AS REQD.
8	AAAS-HJ-03	BLOCK - C	AS REQD.
9	AAAS-HJ-02	BLOCK - A	AS REQD.
10	AAAA-RC-01	RCB, 1.5" PRE-CUT	AS REQD.
11	AAAS-HJ-01	BLOCK - B	AS REQD.
12	ALAS-TI-01	EGLASS PICKET, INFILL, TOP RAIL (3" x 1 1/2" x 1/8"), 20' LENGTH	AS REQD.
13	APAS-SR-01	EGLASS PICKET, SPACER	AS REQD.
14	APAS-PK-01	PICKET (1" x 1"), 37.5" LENGTH	AS REQD.
15	ASAA-EC-01	EGLASS SOLID, END CAP, TOP RAIL	AS REQD.
16	APAS-UC-01	EGLASS PICKET, BOTTOM RAIL, UNDERSIDE COVER, 20' LENGTH	AS REQD.
17	STD-DK-03	STEPS - CONCRETE	AS REQD.
18	STD-AC-01	3/8" THRU BOLT, 4" LG	AS REQD.
19	STD-SW-00	3/8" SCREW COVER	AS REQD.
20	STD-NT-03	#10-24 SOCKET NUT	AS REQD.
21	STD-SC-02	#8 x 9/16" PAN HEAD TEK SCREW	AS REQD.
22	STD-SC-03	#10 x 3/4" PAN HEAD TEK SCREW	AS REQD.
23	STD-SC-04	1/4"-20 x 1" FLAT HEAD TF SCREW	AS REQD.
24	STD-SC-05	1/4"-20 x 1 1/4" FLAT HEAD TF SCREW	AS REQD.
25	STD-SC-12	#8 x 3/4" PAN HEAD TEK SCREW	AS REQD.
26	STD-SC-13	#10-24 SOCKET HEAD SCREW, 3/4" LG	AS REQD.
27	STD-SC-15	#8 x 1" PAN HEAD TEK SCREW	AS REQD.


eGlass Picket™

PROPRIETARY AND CONFIDENTIAL

THE INFORMATION CONTAINED IN THIS DRAWING IS THE SOLE PROPERTY OF EGLASS LLC. ANY REPRODUCTION IN PART OR AS A WHOLE WITHOUT THE WRITTEN PERMISSION OF EGLASS LLC IS PROHIBITED.

NOTES: UNLESS OTHERWISE SPECIFIED	
1. DIMENSIONS SHOWN - INCHES [MM].	DIMENSIONS ARE IN INCHES FRACTIONAL ±
2. MACHINED SURFACES TO BE 63uIN MAX.	ANGULAR: MACH ±
3. PART TO BE FREE OF BURRS AND SHARP EDGES.	TWO PLACE DECIMAL ±
4. ALL MATERIAL TO BE CLEAN, DEGREASED AND FREE OF ALL IMPURITIES.	THREE PLACE DECIMAL ±
5. ANY CHANGE MUST BE AUTHORIZED BY AN EGLASS ENGINEER.	MATERIAL
	FINISH
	DO NOT SCALE DRAWING

NAME	DATE
V.P.	08/07/18
DRAWN	
ENG APPR.	
MFG APPR.	
COMMENTS: PURCHASER HAS THE FULL RESPONSIBILITY TO COMPLY WITH LOCAL, NATIONAL AND INTERNATIONAL BUILDING CODES. PURCHASER SHALL COMPLY IN ALL RESPECTS WITH ALL APPLICABLE LEGAL REQUIREMENTS GOVERNING THE DUTIES, OBLIGATIONS, AND BUSINESS PRACTICES OF THEIR LOCALITIES AND SHALL OBTAIN ANY PERMITS OR LICENSES NECESSARY FOR THEIR OPERATIONS.	



EGLASS PICKET, DECK MOUNT, STAIR GUARD, 36" RAILING SYSTEM

TITLE:		REV	
SIZE		DWG. NO.	2
A		RLDS-00-00	
SCALE: 1:50	WEIGHT:	SHEET 3 OF 3	

2

1