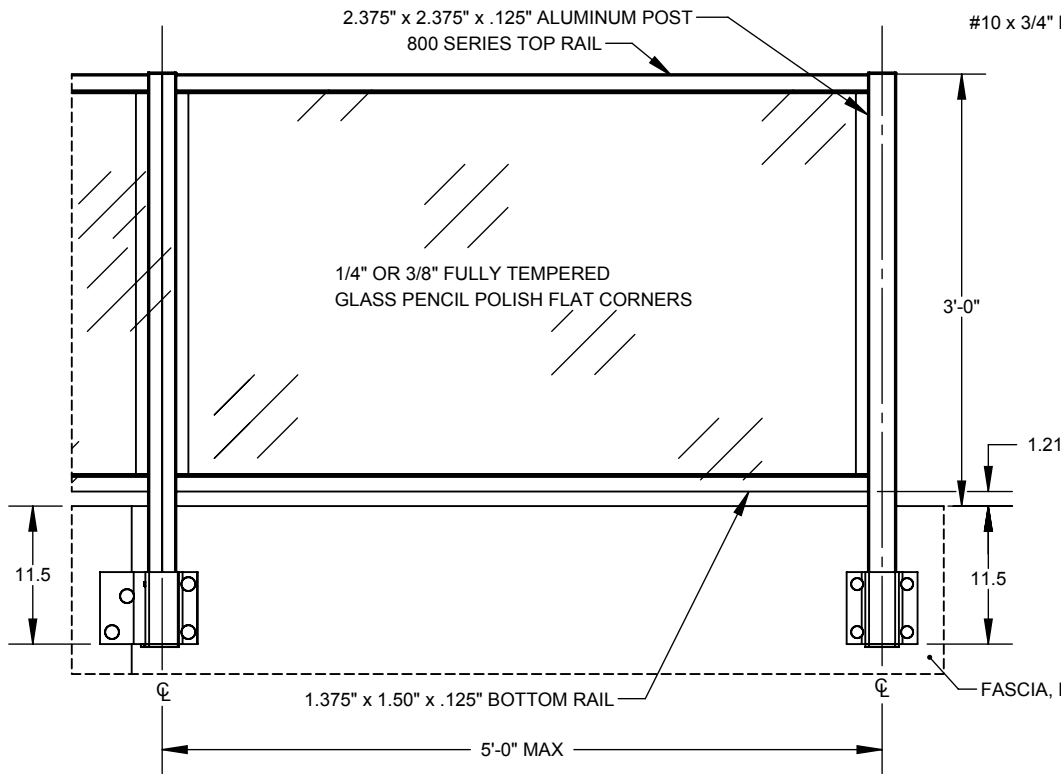
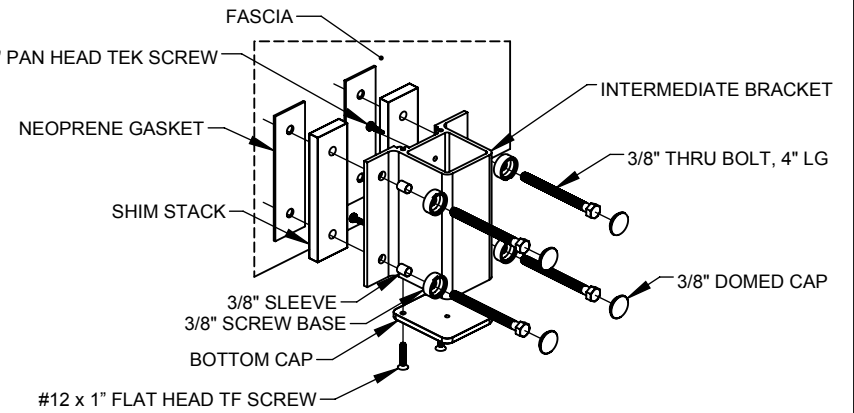


2

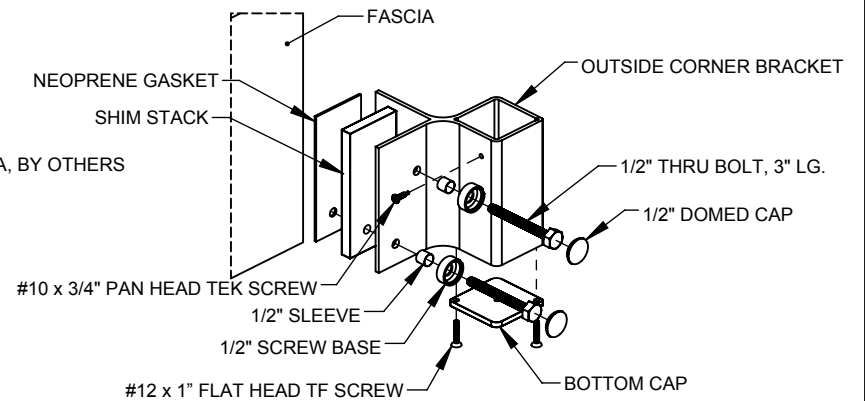
1



1 GLASS WITH TOP & BOTTOM RAIL, FASCIA MOUNT, WITH BRACKET



2 TYP. INTERMEDIATE BRACKET CONNECTION
SCALE 1 : 8



3 TYP. OUTSIDE CORNER BRACKET CONNECTION
SCALE 1 : 8

eGlass Element™

PROPRIETARY AND CONFIDENTIAL

THE INFORMATION CONTAINED IN THIS DRAWING IS THE SOLE PROPERTY OF EGLASS LLC. ANY REPRODUCTION IN PART OR AS A WHOLE WITHOUT THE WRITTEN PERMISSION OF EGLASS LLC IS PROHIBITED.

NOTES: UNLESS OTHERWISE SPECIFIED

1. DIMENSIONS SHOWN - INCHES [MM].
2. MACHINED SURFACES TO BE 63uIN MAX.
3. PART TO BE FREE OF BURRS AND SHARP EDGES.
4. ALL MATERIAL TO BE CLEAN, DEGREASED AND FREE OF ALL IMPURITIES.
5. ANY CHANGE MUST BE AUTHORIZED BY AN EGLASS ENGINEER.

DIMENSIONS ARE IN INCHES
FRACTIONAL ±
ANGULAR: MACH ±
TWO PLACE DECIMAL ±
THREE PLACE DECIMAL ±

MATERIAL

FINISH

DO NOT SCALE DRAWING

	NAME	DATE
DRAWN	V.P.	08/07/18
ENG APPR.		
MFG APPR.		

COMMENTS:
PURCHASER HAS THE FULL RESPONSIBILITY TO COMPLY WITH LOCAL, NATIONAL AND INTERNATIONAL BUILDING CODES. PURCHASER SHALL COMPLY IN ALL RESPECTS WITH ALL APPLICABLE LEGAL REQUIREMENTS GOVERNING THE DUTIES, OBLIGATIONS, AND BUSINESS PRACTICES OF THEIR LOCALITIES AND SHALL OBTAIN ANY PERMITS OR LICENSES NECESSARY FOR THEIR OPERATIONS.



TITLE: **EGLASS ELEMENT, FASCIA MOUNT, FLAT DECK, WITH BRACKET, 36" RAILING SYSTEM**

SIZE	DWG. NO.	REV
A	REGF-00-00	4

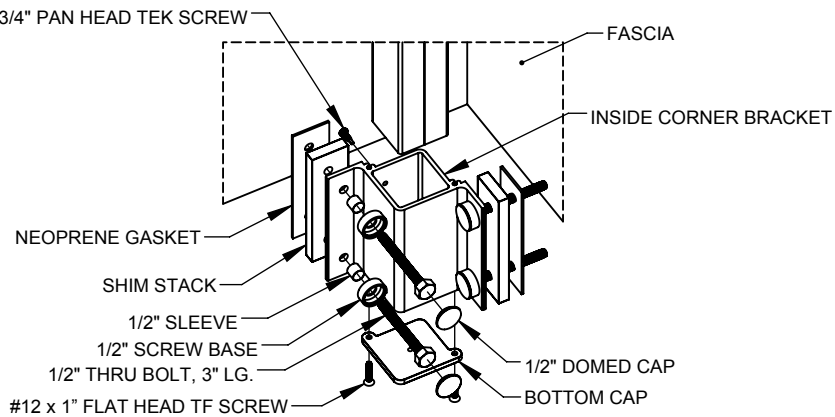
SCALE: 1:24 WEIGHT: SHEET 1 OF 3

2

1

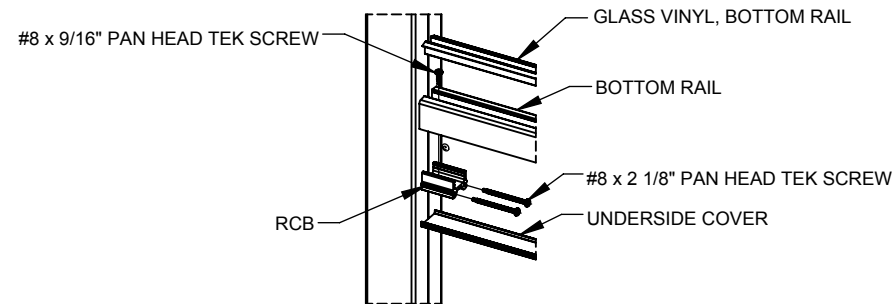
2

1



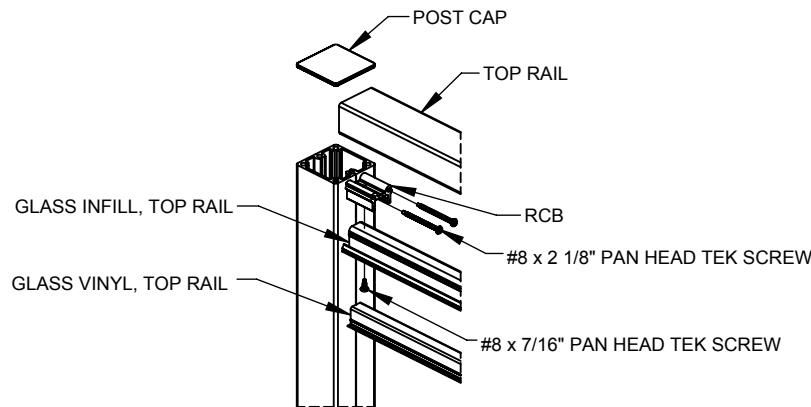
4 TYP. INSIDE CORNER BRACKET CONNECTION

SCALE 1 : 8



5 TYP. BOTTOM RAIL CONNECTION

SCALE 1 : 8



6 TYP. TOP RAIL CONNECTION

SCALE 1 : 8

eGlass Element™

PROPRIETARY AND CONFIDENTIAL

THE INFORMATION CONTAINED IN THIS DRAWING IS THE SOLE PROPERTY OF EGLASS LLC. ANY REPRODUCTION IN PART OR AS A WHOLE WITHOUT THE WRITTEN PERMISSION OF EGLASS LLC IS PROHIBITED.

NOTES: UNLESS OTHERWISE SPECIFIED

1. DIMENSIONS SHOWN - INCHES [MM].
2. MACHINED SURFACES TO BE 63µIN MAX.
3. PART TO BE FREE OF BURRS AND SHARP EDGES.
4. ALL MATERIAL TO BE CLEAN, DEGREASED AND FREE OF ALL IMPURITIES.
5. ANY CHANGE MUST BE AUTHORIZED BY AN EGLASS ENGINEER.

DIMENSIONS ARE IN INCHES
 FRACTIONAL ±
 ANGULAR: MACH ±
 TWO PLACE DECIMAL ±
 THREE PLACE DECIMAL ±

MATERIAL

FINISH

DO NOT SCALE DRAWING

NAME	DATE
V.P.	08/07/18
DRAWN	
ENG APPR.	
MFG APPR.	

COMMENTS:
 PURCHASER HAS THE FULL RESPONSIBILITY TO COMPLY WITH LOCAL, NATIONAL AND INTERNATIONAL BUILDING CODES. PURCHASER SHALL COMPLY IN ALL RESPECTS WITH ALL APPLICABLE LEGAL REQUIREMENTS GOVERNING THE DUTIES, OBLIGATIONS, AND BUSINESS PRACTICES OF THEIR LOCALITIES AND SHALL OBTAIN ANY PERMITS OR LICENSES NECESSARY FOR THEIR OPERATIONS.



TITLE: **EGLASS ELEMENT, FASCIA MOUNT, FLAT DECK, WITH BRACKET, 36" RAILING SYSTEM**

SIZE	DWG. NO.	REV
A	REGF-00-00	4
SCALE: 1:4	WEIGHT:	SHEET 2 OF 3

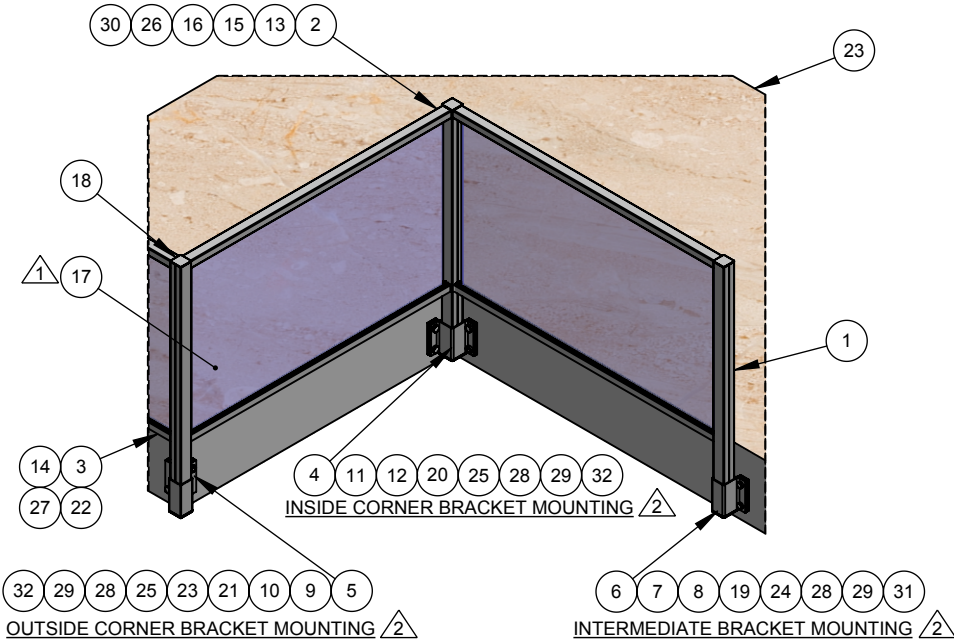
2

1

2

1

TOP RAIL CONNECTION



BILL OF MATERIAL TABLE			
ITEM NO.	PART NUMBER	DESCRIPTION	QTY.
1	AAAA-SP-48	SQUARE POST, MEDIUM BLANK, (2 3/8" x 2 3/8" x 1/8" x 48")	AS REQD.
2	800S-TR-01	800 SERIES, TOP RAIL (2" x 1 1/2" x 1/8"), 20' LENGTH	AS REQD.
3	AAAA-BR-01	BOTTOM RAIL (1 3/8" x 1 1/2" x 1/8"), 20' LENGTH	AS REQD.
4	AAGA-IC-01	INSIDE CORNER FASCIA BRACKET, 6" HEIGHT	AS REQD.
5	AAGA-OC-01	OUTSIDE CORNER FASCIA BRACKET, 6" HEIGHT	AS REQD.
6	AAGA-IB-01	INTERMEDIATE FASCIA BRACKET, 6" HEIGHT	AS REQD.
7	AAGA-NG-01	NEOPRENE GASKET, INTERMEDIATE BRACKET	AS REQD.
8	AAGA-SH-01	SHIM STACK, INTERMEDIATE BRACKET	AS REQD.
9	AAGA-NG-02	NEOPRENE GASKET, OUTSIDE CORNER BRACKET	AS REQD.
10	AAGA-SH-02	SHIM STACK, OUTSIDE CORNER BRACKET	AS REQD.
11	AAGA-NG-03	NEOPRENE GASKET, INSIDE CORNER BRACKET	AS REQD.
12	AAGA-SH-03	SHIM STACK, INSIDE CORNER BRACKET	AS REQD.
13	AAAA-RC-01	RCB, 1.5" PRE-CUT	AS REQD.
14	AAAA-BV-31	GLASS VINYL, BOTTOM RAIL, 3/8" THICK GLASS	AS REQD.
15	AEEA-TI-01	EGLASS ELEMENT, INFILL, TOP RAIL, 20' LENGTH	AS REQD.
16	AAAA-TV-31	GLASS VINYL, TOP RAIL, 3/8" THICK GLASS	AS REQD.
17	RAAF-G3-56	3/8" TEMPERED GLASS, DECK RAILING	AS REQD.
18	AAAA-PC-01	POST CAP, 2 3/8" SQUARE POST	AS REQD.
19	AAGA-BC-01	BOTTOM CAP, INTERMEDIATE FASCIA BRACKET	AS REQD.
20	AAGA-BC-03	BOTTOM CAP, INSIDE CORNER FASCIA BRACKET	AS REQD.
21	AAGA-BC-02	BOTTOM CAP, OUTSIDE CORNER BRACKET	AS REQD.
22	AAAA-UC-01	BOTTOM RAIL, UNDERSIDE COVER, 20' LENGTH	AS REQD.
23	STD-DK-01	CONCRETE DECK	AS REQD.
24	STD-AC-06	3/8" THRU BOLT, 4" LG	AS REQD.
25	STD-AC-07	1/2" THRU BOLT, 3" LG.	AS REQD.
26	STD-SC-01	#8 x 2 1/8" PAN HEAD TEK SCREW	AS REQD.
27	STD-SC-02	#8 x 9/16" PAN HEAD TEK SCREW	AS REQD.
28	STD-SC-03	#10 x 3/4" PAN HEAD TEK SCREW	AS REQD.
29	STD-SC-09	#12 x 1" FLAT HEAD TF SCREW	AS REQD.
30	STD-SC-11	#8 x 7/16" PAN HEAD TEK SCREW	AS REQD.
31	STD-SW-00	3/8" SCREW COVER	AS REQD.
32	STD-SW-10	1/2" SCREW COVER	AS REQD.

NOTES:

- 1. DIFFERENT SIZES OF GLASS PANELS ARE AVAILABLE. REFER DWG NO: RAAF-G2-08 (1/4" THK) AND RAAF-G3-08 (3/8" THK).
- 2. MOUNTING:
 - INSIDE CORNER AND OUTSIDE CORNER BRACKETS:**
 - FOR CONCRETE:** 1. STD-AC-07 (3/8" THRU BOLT, 3.5" LENGTH)
 - FOR WOOD:** 1. STD-AC-08 (5/8" LAG SCREW W/MIN 6" EMBED)
 - INTERMEDIATE BRACKETS:**
 - FOR CONCRETE:** 1. STD-AC-06 (3/8" THRU BOLT, 4" LENGTH)
 - FOR WOOD:** 1. STD-AC-05 (3/8" LAG SCREW W/MIN 6" EMBED)

eGlass Element™

PROPRIETARY AND CONFIDENTIAL

THE INFORMATION CONTAINED IN THIS DRAWING IS THE SOLE PROPERTY OF EGLASS LLC. ANY REPRODUCTION IN PART OR AS A WHOLE WITHOUT THE WRITTEN PERMISSION OF EGLASS LLC IS PROHIBITED.

NOTES: UNLESS OTHERWISE SPECIFIED

- 1. DIMENSIONS SHOWN - INCHES [MM].
- 2. MACHINED SURFACES TO BE 63uIN MAX.
- 3. PART TO BE FREE OF BURRS AND SHARP EDGES.
- 4. ALL MATERIAL TO BE CLEAN, DEGREASED AND FREE OF ALL IMPURITIES.
- 5. ANY CHANGE MUST BE AUTHORIZED BY AN EGLASS ENGINEER.

DIMENSIONS ARE IN INCHES
 FRACTIONAL ±
 ANGULAR: MACH ±
 TWO PLACE DECIMAL ±
 THREE PLACE DECIMAL ±

MATERIAL

FINISH

DO NOT SCALE DRAWING

	NAME	DATE
DRAWN	V.P.	08/07/18
ENG APPR.		
MFG APPR.		

COMMENTS:
 PURCHASER HAS THE FULL RESPONSIBILITY TO COMPLY WITH LOCAL, NATIONAL AND INTERNATIONAL BUILDING CODES. PURCHASER SHALL COMPLY IN ALL RESPECTS WITH ALL APPLICABLE LEGAL REQUIREMENTS GOVERNING THE DUTIES, OBLIGATIONS, AND BUSINESS PRACTICES OF THEIR LOCALITIES AND SHALL OBTAIN ANY PERMITS OR LICENSES NECESSARY FOR THEIR OPERATIONS.



TITLE: **EGLASS ELEMENT, FASCIA MOUNT, FLAT DECK, WITH BRACKET, 36" RAILING SYSTEM**

SIZE	DWG. NO.	REV
A	REGF-00-00	4
SCALE: 1:24	WEIGHT:	SHEET 3 OF 3

2

1