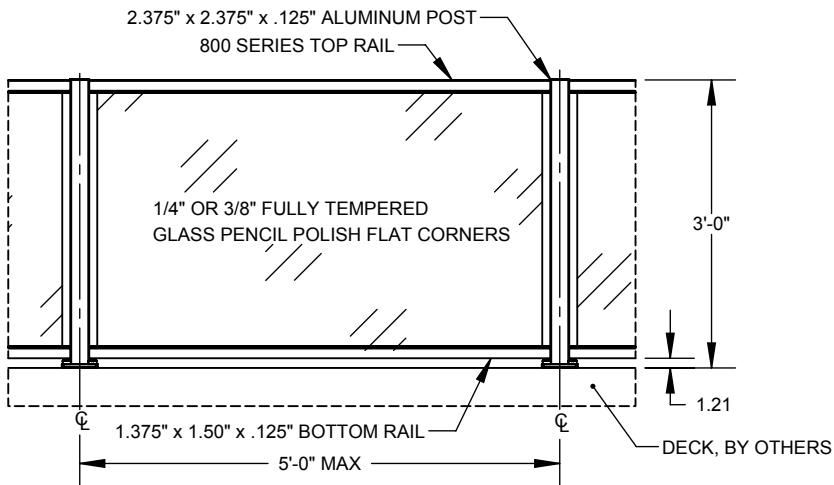
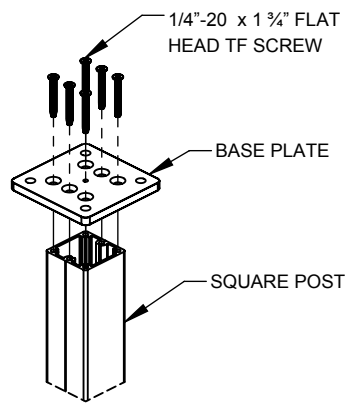


2

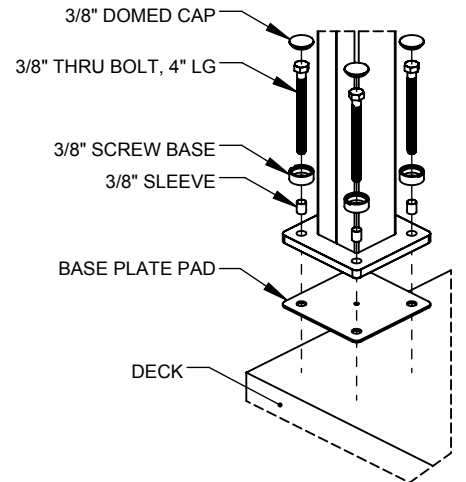
1



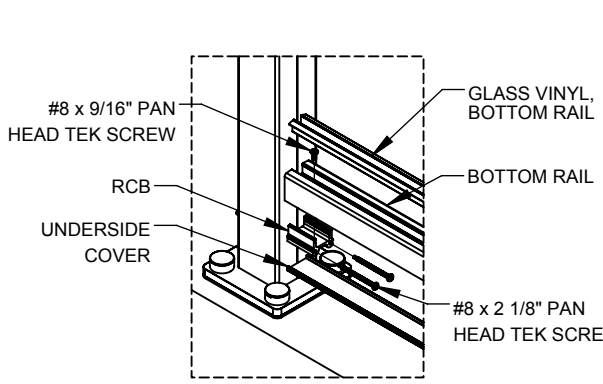
1 GLASS WITH TOP & BOTTOM RAIL, DECK MOUNT



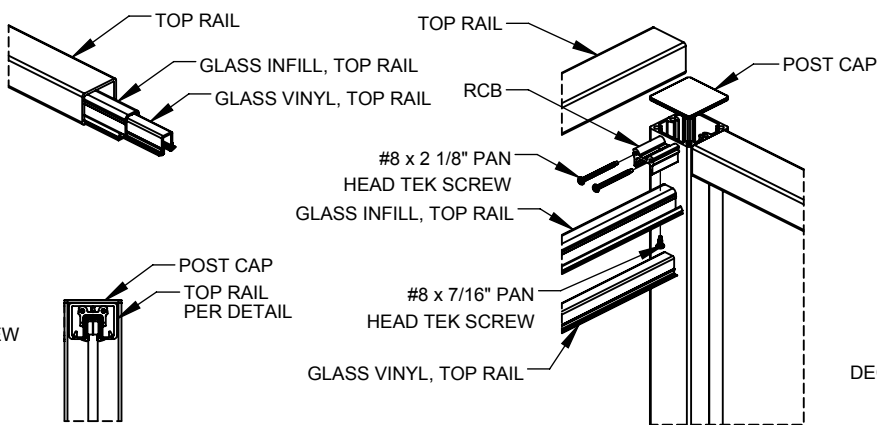
2 TYP. BASE PLATE TO POST
SCALE 1:8



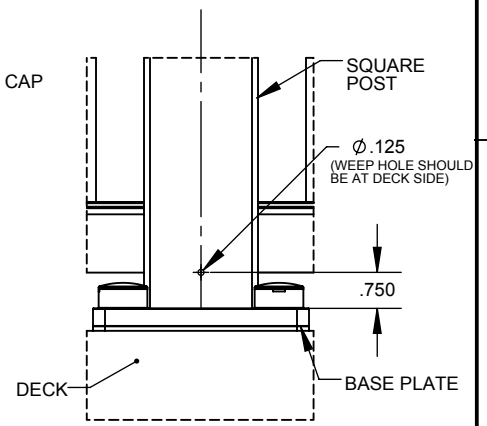
3 TYP. DECK MOUNTING CONNECTION
SCALE 1:8



4 TYP. BOTTOM RAIL CONNECTION
SCALE 1:8



5 TYP. TOP RAIL CONNECTION
SCALE 1:8



6 TYP. WEEP HOLE
SCALE 1:4

B

B

A

A

eGlass Element™
PROPRIETARY AND CONFIDENTIAL
 THE INFORMATION CONTAINED IN THIS DRAWING IS THE SOLE PROPERTY OF EGLASS LLC. ANY REPRODUCTION IN PART OR AS A WHOLE WITHOUT THE WRITTEN PERMISSION OF EGLASS LLC IS PROHIBITED.

NOTES: UNLESS OTHERWISE SPECIFIED	
1. DIMENSIONS SHOWN - INCHES [MM].	DIMENSIONS ARE IN INCHES
2. MACHINED SURFACES TO BE 63uIN MAX.	FRACTIONAL ±
3. PART TO BE FREE OF BURRS AND SHARP EDGES.	ANGULAR: MACH ±
4. ALL MATERIAL TO BE CLEAN, DEGREASED AND FREE OF ALL IMPURITIES.	TWO PLACE DECIMAL ±
5. ANY CHANGE MUST BE AUTHORIZED BY AN EGLASS ENGINEER.	THREE PLACE DECIMAL ±
	MATERIAL
	FINISH
	DO NOT SCALE DRAWING

NAME	DATE
V.P.	08/07/18
DRAWN	
ENG APPR.	
MFG APPR.	
COMMENTS: PURCHASER HAS THE FULL RESPONSIBILITY TO COMPLY WITH LOCAL, NATIONAL AND INTERNATIONAL BUILDING CODES. PURCHASER SHALL COMPLY IN ALL RESPECTS WITH ALL APPLICABLE LEGAL REQUIREMENTS GOVERNING THE DUTIES, OBLIGATIONS, AND BUSINESS PRACTICES OF THEIR LOCALITIES AND SHALL OBTAIN ANY PERMITS OR LICENSES NECESSARY FOR THEIR OPERATIONS.	

TITLE: EGLASS ELEMENT, DECK MOUNT, FLAT DECK, 36" RAILING SYSTEM		
SIZE A	DWG. NO. REDF-00-00	REV 6
SCALE: 1:24	WEIGHT:	SHEET 1 OF 2

2

1

2

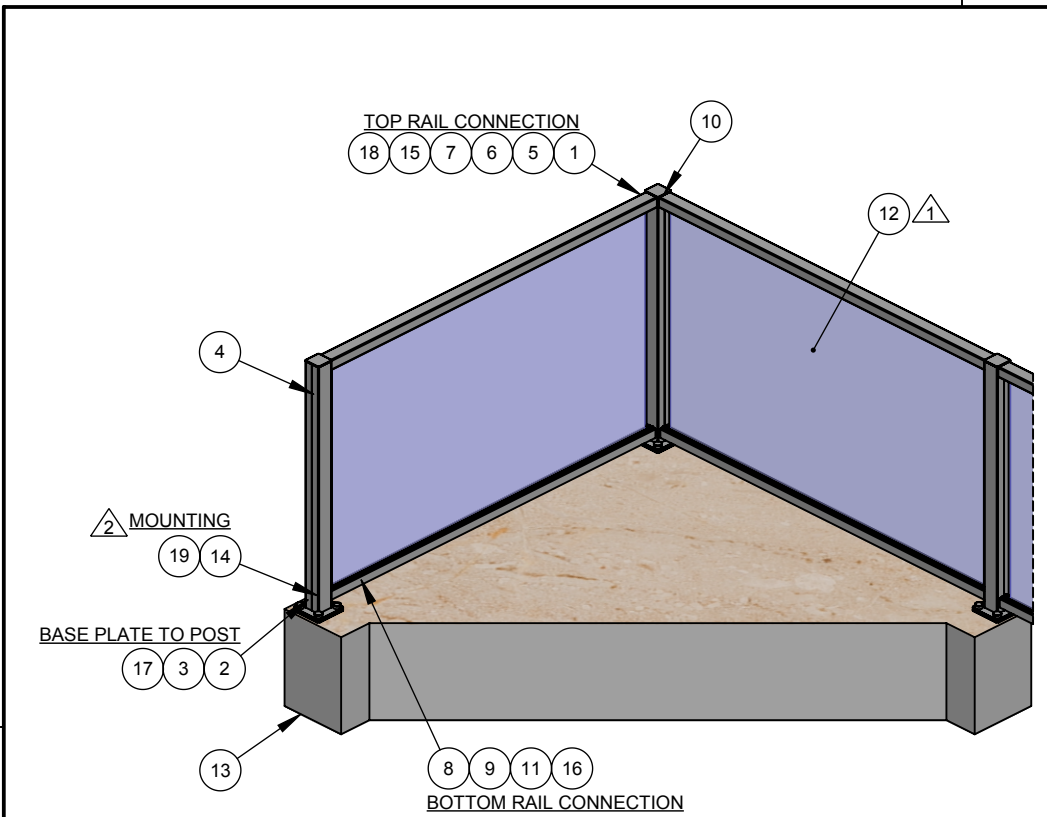
1

B

B

A

A



BILL OF MATERIAL TABLE			
ITEM NO.	PART NUMBER	DESCRIPTION	QTY.
1	800S-TR-01	800 SERIES, TOP RAIL (2" x 1 1/2" x 1/8"), 20' LENGTH	AS REQD.
2	RADA-BP-01	BASE PLATE, 36" HEIGHT SQUARE POST	AS REQD.
3	RADA-PD-01	BASE PLATE PAD, SQUARE POST	AS REQD.
4	RADF-SP-36	SQUARE POST, SHORT BLANK, (2 3/8" x 2 3/8" x 1/8" x 36")	AS REQD.
5	AEEA-TI-01	EGLASS ELEMENT, INFILL, TOP RAIL, 20' LENGTH	AS REQD.
6	AAAA-TV-31	GLASS VINYL, TOP RAIL, 3/8" THICK GLASS	AS REQD.
7	AAAA-RC-01	RCB, 1.5" PRE-CUT	AS REQD.
8	AAAA-BR-01	BOTTOM RAIL (1 3/8" x 1 1/2" x 1/8"), 20' LENGTH	AS REQD.
9	AAAA-BV-31	GLASS VINYL, BOTTOM RAIL, 3/8" THICK GLASS	AS REQD.
10	AAAA-PC-01	POST CAP, 2 3/8" SQUARE POST	AS REQD.
11	AAAA-UC-01	BOTTOM RAIL, UNDERSIDE COVER, 20' LENGTH	AS REQD.
12	RAAF-G3-56	3/8" TEMPERED GLASS, DECK RAILING	AS REQD.
13	STD-DK-01	CONCRETE DECK	AS REQD.
14	STD-AC-01	3/8" THRU BOLT, 4" LG	AS REQD.
15	STD-SC-01	#8 x 2 1/8" PAN HEAD TEK SCREW	AS REQD.
16	STD-SC-02	#8 x 9/16" PAN HEAD TEK SCREW	AS REQD.
17	STD-SC-05	1/4"-20 x 1 1/4" FLAT HEAD TF SCREW	AS REQD.
18	STD-SC-11	#8 x 7/16" PAN HEAD TEK SCREW	AS REQD.
19	STD-SW-00	3/8" SCREW COVER	AS REQD.

NOTES:

- 1. DIFFERENT SIZES OF GLASS PANELS ARE AVAILABLE. REFER DWG NO: RAAF-G2-08 (1/4" THK) AND RAAF-G3-08 (3/8" THK).
- 2. MOUNTING:
 - FOR CONCRETE:
 - 1. STD-AC-01 (3/8" THRU BOLT, 4" LENGTH)
 - FOR WOOD:
 - 1. STD-AC-03 (3/8" LAG SCREW W/MIN 6" EMBED)

NOTES: UNLESS OTHERWISE SPECIFIED		NAME	DATE			
1. DIMENSIONS SHOWN - INCHES [MM]. 2. MACHINED SURFACES TO BE 63µIN MAX. 3. PART TO BE FREE OF BURRS AND SHARP EDGES. 4. ALL MATERIAL TO BE CLEAN, DEGREASED AND FREE OF ALL IMPURITIES. 5. ANY CHANGE MUST BE AUTHORIZED BY AN EGLASS ENGINEER.		DRAWN	V.P.			08/07/18
		DIMENSIONS ARE IN INCHES FRACTIONAL ± ANGULAR: MACH ± TWO PLACE DECIMAL ± THREE PLACE DECIMAL ±		ENG APPR.		TITLE: EGLASS ELEMENT, DECK MOUNT, FLAT DECK, 36" RAILING SYSTEM
		MATERIAL FINISH		MFG APPR.		
eGlass Element™ PROPRIETARY AND CONFIDENTIAL THE INFORMATION CONTAINED IN THIS DRAWING IS THE SOLE PROPERTY OF EGLASS LLC. ANY REPRODUCTION IN PART OR AS A WHOLE WITHOUT THE WRITTEN PERMISSION OF EGLASS LLC IS PROHIBITED.		COMMENTS: PURCHASER HAS THE FULL RESPONSIBILITY TO COMPLY WITH LOCAL, NATIONAL AND INTERNATIONAL BUILDING CODES. PURCHASER SHALL COMPLY IN ALL RESPECTS WITH ALL APPLICABLE LEGAL REQUIREMENTS GOVERNING THE DUTIES, OBLIGATIONS, AND BUSINESS PRACTICES OF THEIR LOCALITIES AND SHALL OBTAIN ANY PERMITS OR LICENSES NECESSARY FOR THEIR OPERATIONS.		SCALE: 1:24	WEIGHT:	SHEET 2 OF 2

2

1