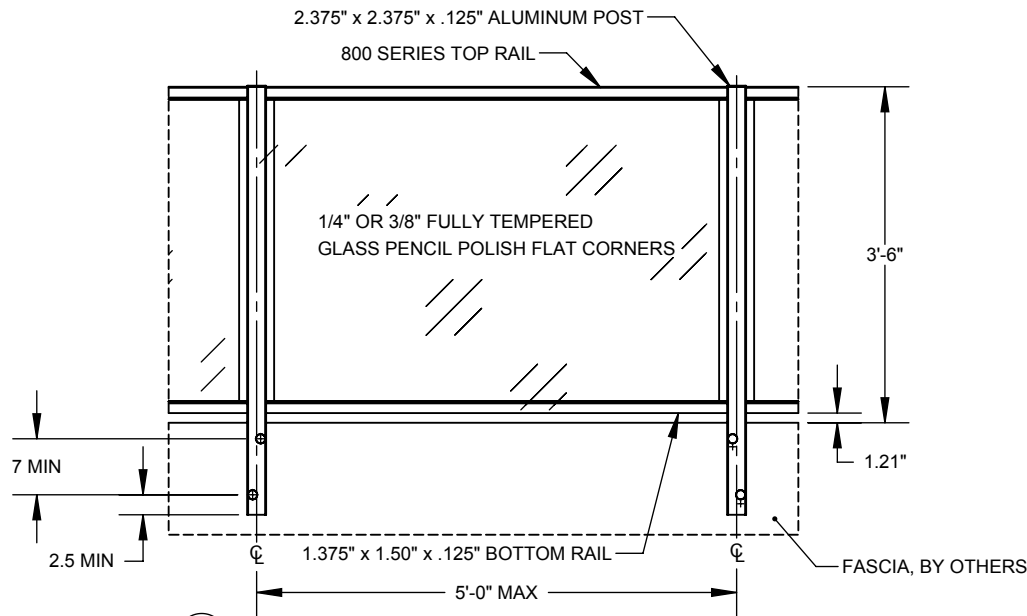
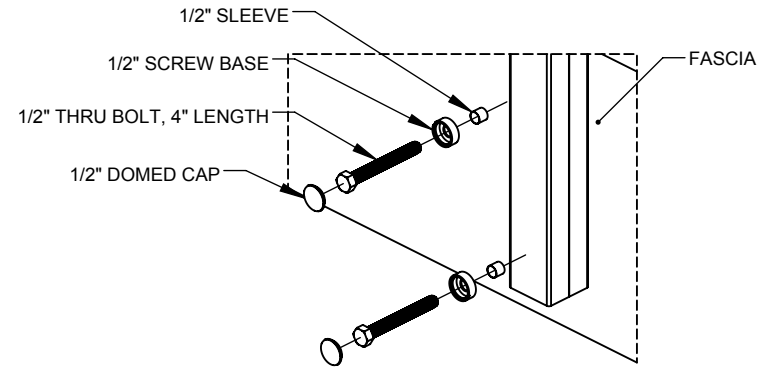


2

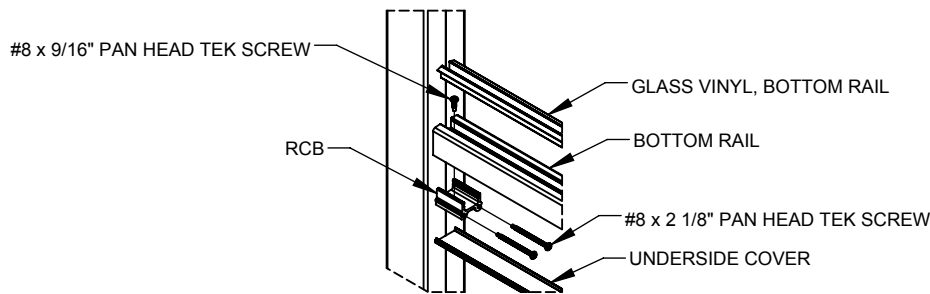
1



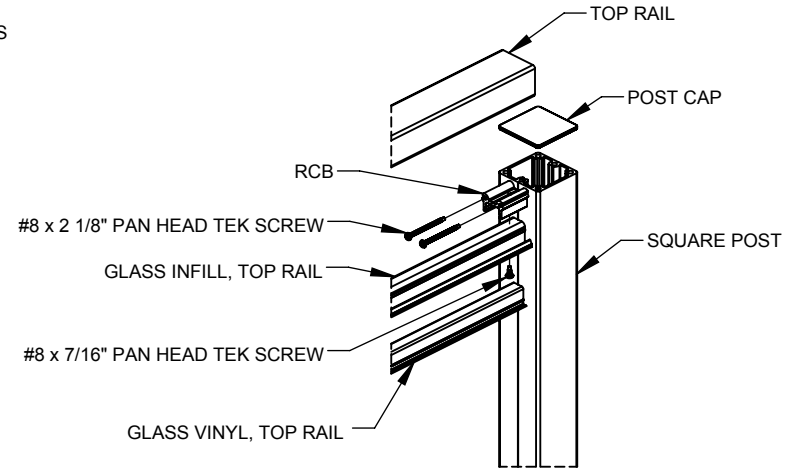
1 GLASS WITH TOP & BOTTOM RAIL, FASCIA MOUNT



2 TYP. POST TO DECK CONNECTION
SCALE 1:8



3 TYP. BOTTOM RAIL CONNECTION
SCALE 1:8



4 TYP. TOP RAIL CONNECTION
SCALE 1:8

eGlass Element™

PROPRIETARY AND CONFIDENTIAL

THE INFORMATION CONTAINED IN THIS DRAWING IS THE SOLE PROPERTY OF EGLASS LLC. ANY REPRODUCTION IN PART OR AS A WHOLE WITHOUT THE WRITTEN PERMISSION OF EGLASS LLC IS PROHIBITED.

NOTES: UNLESS OTHERWISE SPECIFIED

- DIMENSIONS SHOWN - INCHES [MM].
- MACHINED SURFACES TO BE 63µIN MAX.
- PART TO BE FREE OF BURRS AND SHARP EDGES.
- ALL MATERIAL TO BE CLEAN, DEGREASED AND FREE OF ALL IMPURITIES.
- ANY CHANGE MUST BE AUTHORIZED BY AN EGLASS ENGINEER.

DIMENSIONS ARE IN INCHES
FRACTIONAL ±
ANGULAR: MACH ±
TWO PLACE DECIMAL ±
THREE PLACE DECIMAL ±

MATERIAL

FINISH

DO NOT SCALE DRAWING

	NAME	DATE
DRAWN	V.P.	09/25/18
ENG APPR.		
MFG APPR.		

COMMENTS:
PURCHASER HAS THE FULL RESPONSIBILITY TO COMPLY WITH LOCAL, NATIONAL AND INTERNATIONAL BUILDING CODES. PURCHASER SHALL COMPLY IN ALL RESPECTS WITH ALL APPLICABLE LEGAL REQUIREMENTS GOVERNING THE DUTIES, OBLIGATIONS, AND BUSINESS PRACTICES OF THEIR LOCALITIES AND SHALL OBTAIN ANY PERMITS OR LICENSES NECESSARY FOR THEIR OPERATIONS.



TITLE:
EGLASS ELEMENT, FASCIA MOUNT, NO BRACKET, FLAT DECK, 42" RAILING SYSTEM

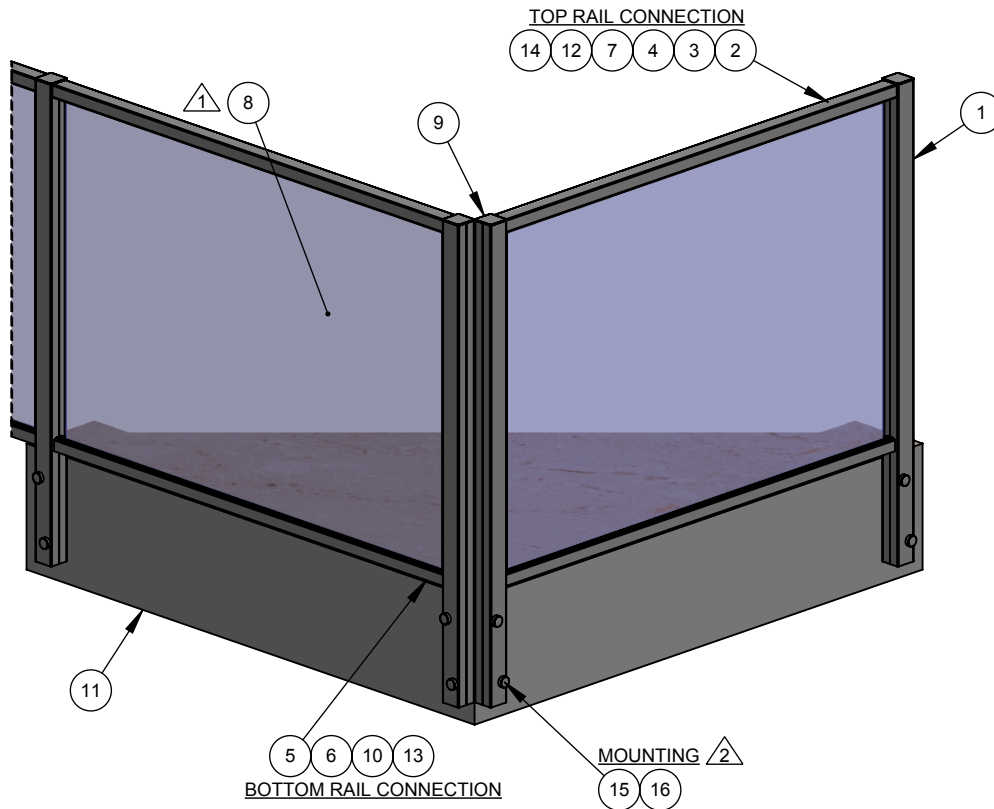
SIZE	DWG. NO.	REV
A	CEFF-00-00	1
SCALE: 1:24	WEIGHT:	SHEET 1 OF 2

2

1

2

1



BILL OF MATERIAL TABLE			
ITEM NO.	PART NUMBER	DESCRIPTION	QTY.
1	AAFA-SP-56	SQUARE POST, LONG BLANK, (2 3/8" x 2 3/8" x 1/8" x 56")	AS REQD.
2	800S-TR-01	800 SERIES, TOP RAIL (2" x 1 1/2" x 1/8"), 20' LENGTH	AS REQD.
3	AEEA-TI-01	EGLASS ELEMENT, INFILL, TOP RAIL, 20' LENGTH	AS REQD.
4	AAAA-TV-31	GLASS VINYL, TOP RAIL, 3/8" THICK GLASS	AS REQD.
5	AAAA-BR-01	BOTTOM RAIL (1 3/8" x 1 1/2" x 1/8"), 20' LENGTH	AS REQD.
6	AAAA-BV-31	GLASS VINYL, BOTTOM RAIL, 3/8" THICK GLASS	AS REQD.
7	AAAA-RC-01	RCB, 1.5" PRE-CUT	AS REQD.
8	CAAF-G3-56	3/8" TEMPERED GLASS, DECK RAILING	AS REQD.
9	AAAA-PC-01	POST CAP, 2 3/8" SQUARE POST	AS REQD.
10	AAAA-UC-01	BOTTOM RAIL, UNDERSIDE COVER, 20' LENGTH	AS REQD.
11	STD-DK-01	CONCRETE DECK	AS REQD.
12	STD-SC-01	#8 x 2 1/8" PAN HEAD TEK SCREW	AS REQD.
13	STD-SC-02	#8 x 9/16" PAN HEAD TEK SCREW	AS REQD.
14	STD-SC-11	#8 x 7/16" PAN HEAD TEK SCREW	AS REQD.
15	STD-AC-02	1/2" THRU BOLT, 4" LENGTH	AS REQD.
16	STD-SW-10	1/2" SCREW COVER	AS REQD.

NOTES:

- 1. DIFFERENT SIZES OF GLASS PANELS ARE AVAILABLE. REFER DWG NO: CAAF-G2-08 (1/4" THK) AND CAAF-G3-08 (3/8" THK).
- 2. MOUNTING:
 FOR CONCRETE:
 1. STD-AC-02 (1/2" THRU BOLT, 4" LENGTH)
 FOR WOOD:
 1. STD-AC-04 (1/2" LAG SCREW 7" PART W/MIN 6" EMBED)

NOTES: UNLESS OTHERWISE SPECIFIED		NAME	DATE			
<p>eGlass Element™</p> <p>PROPRIETARY AND CONFIDENTIAL</p> <p>THE INFORMATION CONTAINED IN THIS DRAWING IS THE SOLE PROPERTY OF EGLASS LLC. ANY REPRODUCTION IN PART OR AS A WHOLE WITHOUT THE WRITTEN PERMISSION OF EGLASS LLC IS PROHIBITED.</p>	<p>1. DIMENSIONS SHOWN - INCHES [MM].</p> <p>2. MACHINED SURFACES TO BE 63uIN MAX.</p> <p>3. PART TO BE FREE OF BURRS AND SHARP EDGES.</p> <p>4. ALL MATERIAL TO BE CLEAN, DEGREASED AND FREE OF ALL IMPURITIES.</p> <p>5. ANY CHANGE MUST BE AUTHORIZED BY AN EGLASS ENGINEER.</p>	DIMENSIONS ARE IN INCHES	DRAWN	V.P.	09/25/18	
		FRACTIONAL ±	ENG APPR.			<p>TITLE: EGLASS ELEMENT, FASCIA MOUNT, NO BRACKET, FLAT DECK, 42" RAILING SYSTEM</p>
		ANGULAR: MACH ±	MFG APPR.			
		TWO PLACE DECIMAL ±	COMMENTS:		<p>PURCHASER HAS THE FULL RESPONSIBILITY TO COMPLY WITH LOCAL, NATIONAL AND INTERNATIONAL BUILDING CODES. PURCHASER SHALL COMPLY IN ALL RESPECTS WITH ALL APPLICABLE LEGAL REQUIREMENTS GOVERNING THE DUTIES, OBLIGATIONS, AND BUSINESS PRACTICES OF THEIR LOCALITIES AND SHALL OBTAIN ANY PERMITS OR LICENSES NECESSARY FOR THEIR OPERATIONS.</p>	
THREE PLACE DECIMAL ±	<p>SIZE A DWG. NO. CEFF-00-00 REV 1</p>					
MATERIAL	DO NOT SCALE DRAWING		SCALE: 1:24		WEIGHT:	
FINISH			SHEET 2 OF 2			

2

1