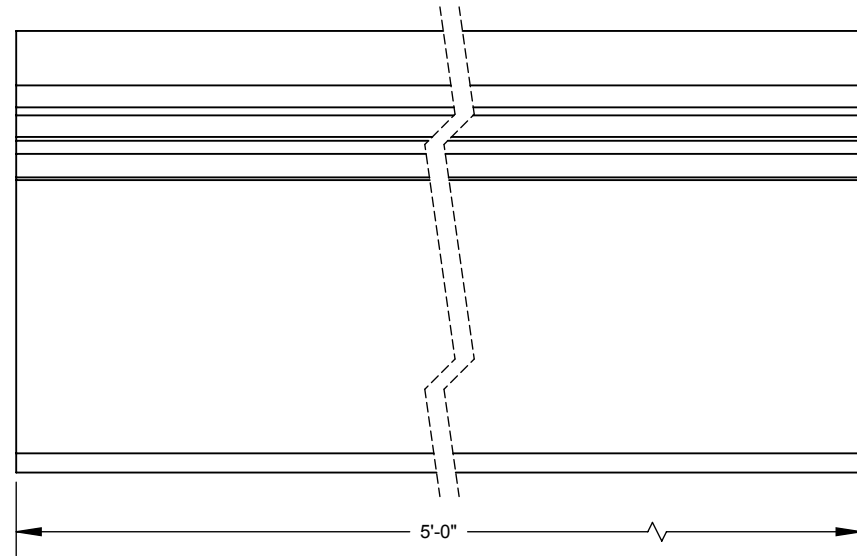
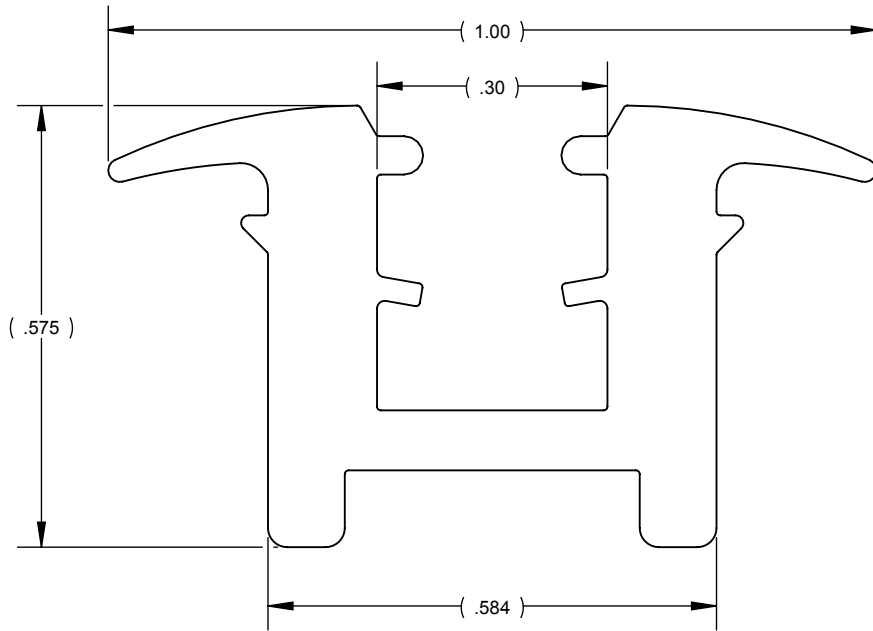
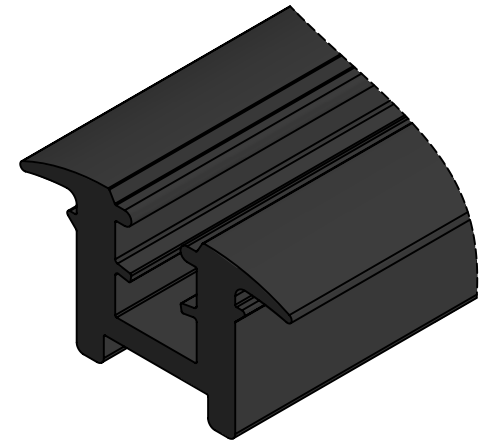


2

1

B

B



NOTE:

- 1. RUBBER AND PVC MATERIALS SHOULD BE UV RESISTANT FOR OUTDOOR USE.

PART IS MADE FROM "AAAA-BV-00" EXTRUSION

A

A

eGlass Element™
eGlass Solid™

PROPRIETARY AND CONFIDENTIAL

THE INFORMATION CONTAINED IN THIS DRAWING IS THE SOLE PROPERTY OF EGLASS LLC. ANY REPRODUCTION IN PART OR AS A WHOLE WITHOUT THE WRITTEN PERMISSION OF EGLASS LLC IS PROHIBITED.

NOTES: UNLESS OTHERWISE SPECIFIED

- 1. DIMENSIONS SHOWN - INCHES [MM].
- 2. MACHINED SURFACES TO BE 63µIN MAX.
- 3. PART TO BE FREE OF BURRS AND SHARP EDGES.
- 4. ALL MATERIAL TO BE CLEAN, DEGREASED AND FREE OF ALL IMPURITIES.
- 5. ANY CHANGE MUST BE AUTHORIZED BY AN EGLASS ENGINEER.

DIMENSIONS ARE IN INCHES
FRACTIONAL ±
ANGULAR: MACH ±
TWO PLACE DECIMAL ±
THREE PLACE DECIMAL ±

MATERIAL
VINYL WITH SHORE 60A RUBBER,
(UV Resistant)

FINISH

DO NOT SCALE DRAWING

NAME DATE
V.P. 10/24/18

DRAWN
ENG APPR.
MFG APPR.

COMMENTS:
PURCHASER HAS THE FULL RESPONSIBILITY TO COMPLY WITH LOCAL, NATIONAL AND INTERNATIONAL BUILDING CODES. PURCHASER SHALL COMPLY IN ALL RESPECTS WITH ALL APPLICABLE LEGAL REQUIREMENTS GOVERNING THE DUTIES, OBLIGATIONS, AND BUSINESS PRACTICES OF THEIR LOCALITIES AND SHALL OBTAIN ANY PERMITS OR LICENSES NECESSARY FOR THEIR OPERATIONS.



TITLE:
**GLASS VINYL, BOTTOM RAIL,
1/4" THICK GLASS, 5' LENGTH**

SIZE DWG. NO. REV
A AAAA-BV-01 7

SCALE: 4:1 WEIGHT: SHEET 1 OF 1

2

1