

SensingEdge

Applications

- **Sectional Doors**
- **Scissor Lifts**
- **Conveyors**
- **Presses**

About the ME117...

This pressure sensitive electric edge can be adapted to suit a wide variety of applications. When touch activated, the ME117 sends an immediate electrical signal to controls to stop and/or reverse operations. With appropriate mounting channel, this edge will fit nearly all doors from 1" to 2" thick. A variety of mounting channels are available for easy installation on machinery applications.



OPTIONS:

- Color: Black
- 4 wire fail-safe configuration or 2 Wire Terminated Edge
- Coil Cord attached
- Retracting Reel
- 4 wire fail-safe Control Panel (MFSC-100)
- 4 wire fail-safe intrinsically safe Control Panel (FSIS-35-4)
- Air-Wave (MAW117) Pneumatic (MEP117)

TECHNICAL SPECIFICATIONS:

Color:	Black
Length:	per specification to nearest 1/4
Lead Wire:	SJTO, 22 gauge universal
Sensitivity:	nominal 8-13 lbf
Electrical Diagram:	2 wire /4wire N.O. configuration 2 wire Terminated configuration
Electrical Maximum:	24 volt AC or DC, 1/2 amp
Mechanical Diagram:	See drawings on reverse side
Contact Element:	Alumaglas®
Materials:	Flexible PVC
Mounting Channel:	Rigid PVC/UPVC
Temperature Range:	-30°F to +155°F
Wire Outlet Location:	Universal

FUNCTIONAL BENEFITS:

- Touch Sensitive signalling
- Easy to Install
- Stock sizes available for same day shipment
- Mounts vertically or horizontally



Model # ME117

SensingEdge

Installation

Slide the ME117 Sensing Edge into proper channel. To attach mounting channel, place in desired location. Drill 1/8" holes through channel and into mounting surface. Secure with screws.

Note: For safe operation, use a maximum 24 volt, 1/2 amp AC or DC power. For detailed installation and wiring instructions, contact MillerEdge, Inc.

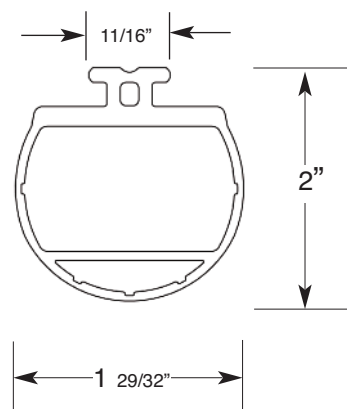
Care of the ME117. . .

Minimal care is required for the ME117 since it is manufactured with only the most durable materials and the highest quality control standards. However, Sensing Edges must be examined once per month for cuts or punctures which could damage internal components. Check wiring to be sure connections are secure. Check reversing mechanism often to assure integrity of operations. When properly maintained, the ME117 offers years of trouble free operations.

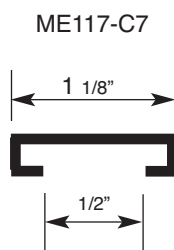
Warranty

We will replace within one year of shipment from our factory, any SensingEdge subject to normal use which is found to have defective materials or workmanship, as determined solely by our factory representative. Replacements will be shipped to you freight collect. This warranty is void where evidence of misuse or abuse is present.

Mechanical Diagrams:



Mounting Channels:



Contact MillerEdge to ensure compatibility with your operating controls.
U.S. Patent #5,962,825 CAN. Patent #2,008,021

ME117_Spec_20140819

P.O. Box 159 • West Grove, PA 19390 • (610)869-4422 • Fax: (610)869-4423 • 800-220-3343
6809 South Harl Avenue, Suite A, Tempe, AZ 85283 • (480)755-3565 • Fax (480)755-3558 • 800-887-3343
www.milleredge.com