



## PHOTOELECTRIC DUAL BEAM DETECTOR

Owners Manual  
**R4222**

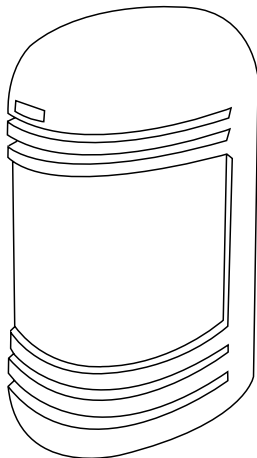


The GTO Access Systems Photoelectric Dual Beam Detector uses dual beam and through-beam technology to reduce false detections when detecting obstructions. When the beams detect the presence of a moving object, the detection will cause the gate(s) to stop and reverse to the fully open position. As long as the beam is obstructed the gate(s) will remain open. **Not compatible with solar powered gate operators.**

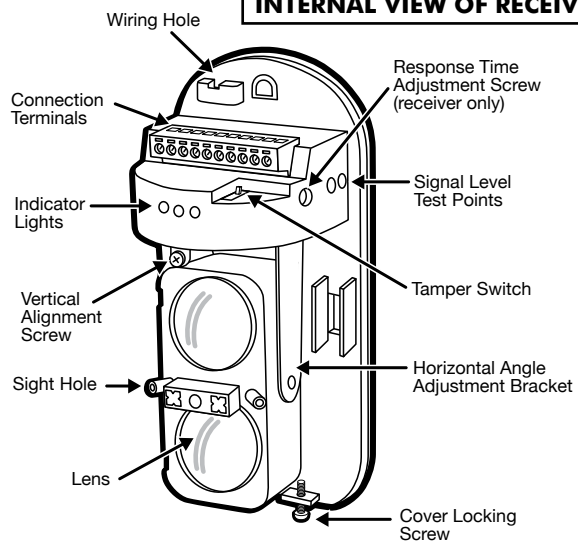
For use with all GTO Access Systems and Mighty Mule AC and DC powered gate operators.

### PARTS DESCRIPTION

COVER



INTERNAL VIEW OF RECEIVER

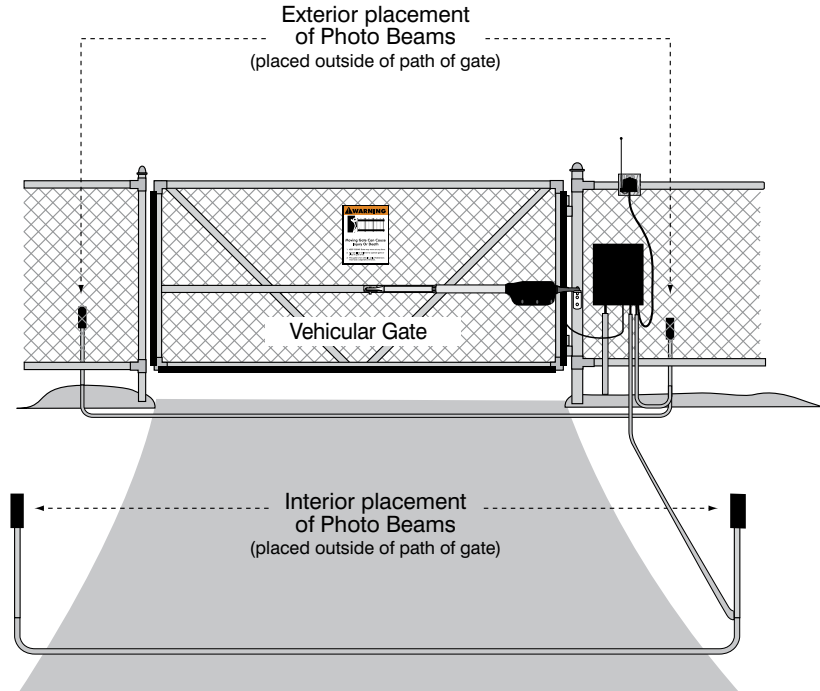


For more information on GTO's full line of automatic gate openers and access controls visit our website at [www.gtoaccess.com](http://www.gtoaccess.com)

GTO • 3121 Hartsfield Road • Tallahassee, Florida 32303 • (800) 543-4283 • [www.gtoaccess.com](http://www.gtoaccess.com)  
Technical Service (800) 543-1236

# Installation Overview

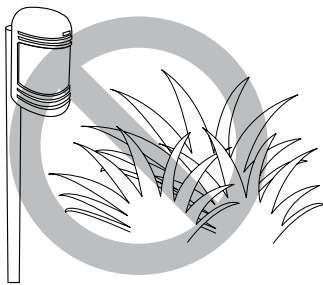
Diagram illustrates correct placement of photo beams in relation to the gate.



## Mounting Cautions

Be sure that the optical axis is never obstructed. (The optical axis is both the vertical and horizontal range of detection, or beam, between the transmitter and receiver)

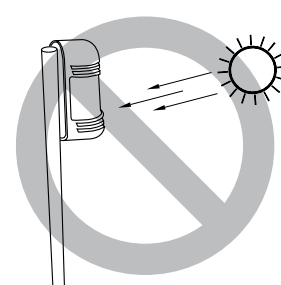
Do not mount the detector in the following conditions:



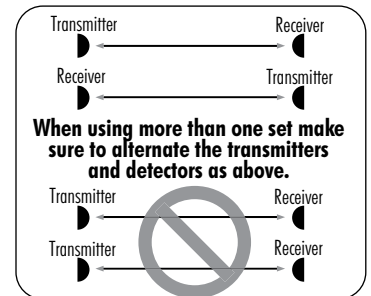
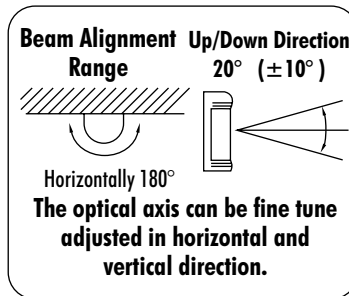
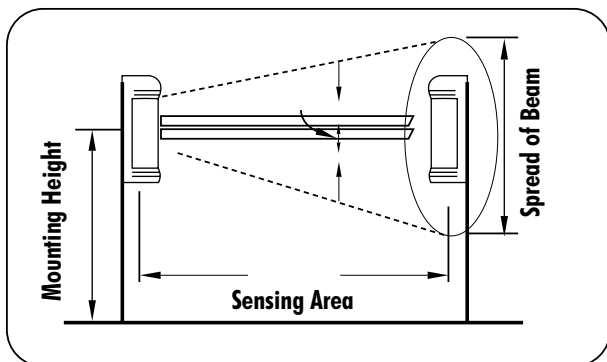
Where obstructions (plants, fences, etc.) are between the receiver and the sender.



Where the mounting surface is unstable.

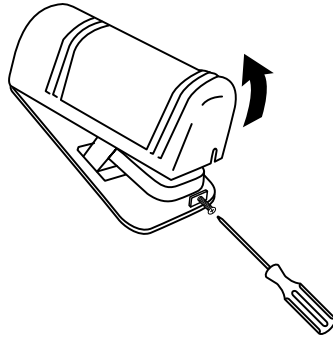


Where sunlight and headlights shine directly into the front of the receiver.

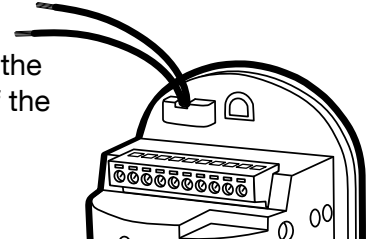


# Wall Mounting

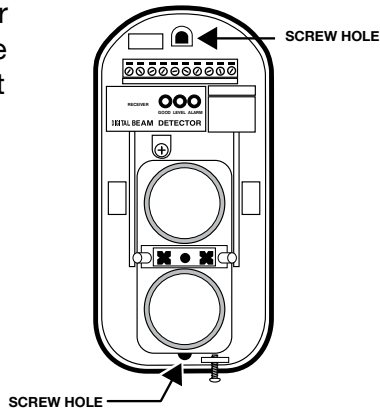
1. Remove Photo Beam cover by loosening the cover holding screw, but **DO NOT REMOVE THE SCREW ALL THE WAY.**



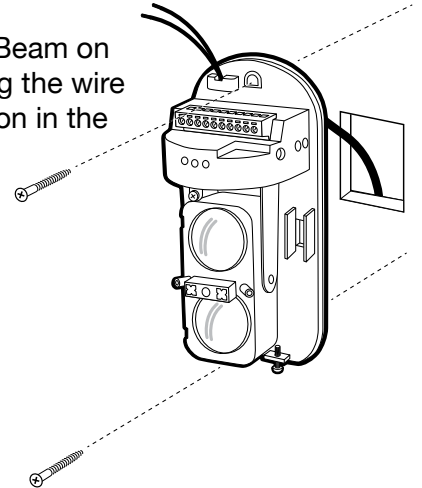
2. Pull the wire through the wiring hole at the top of the unit, from back to front.



3. Remove the rubber knockout and use the screw holes to mount the unit.



4. Mount the Photo Beam on the wall while running the wire into the wiring location in the wall.

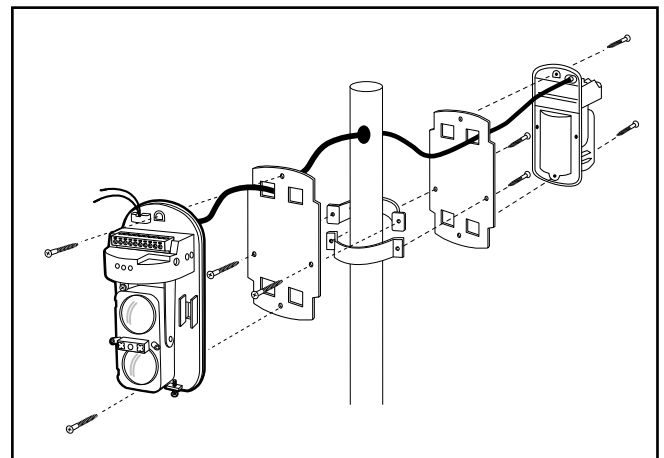
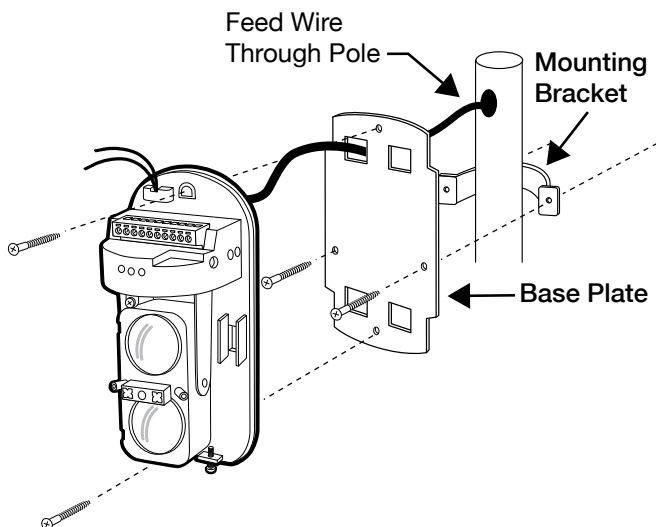


# Pole Mounting

1. Remove the Photo Beam cover (as shown in step 1 above).

2. Feed the wire through the mounting pole.

3. Using the Mounting Plate and Bracket secure the Photo Beam to the mounting pole.



**Back to Back Installation**  
(Refer to the figure above)

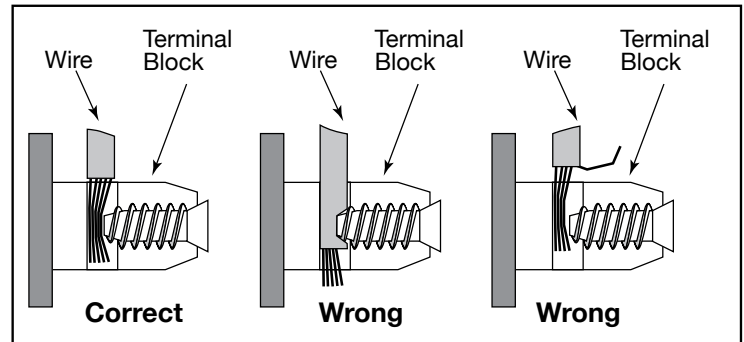
# Connecting Photo Beams to GTO Access Systems and Mighty Mule Control Boards

**IMPORTANT: DO NOT use Photo Beams on systems charged with solar panels.**

Make sure the power switch to the opener is turned off before connecting safety device wiring to the terminal blocks. Unplugging the transformer does not turn power to the opener OFF.

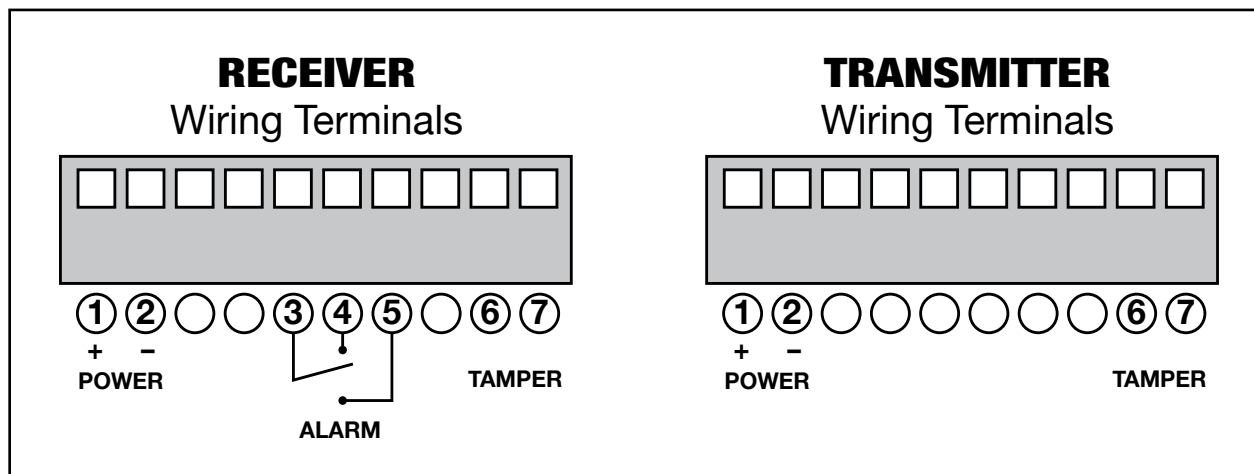
## Wiring Precautions

- Wire with 16awg minimum (RB509)
- 300 ft (91.4m) max length
- Be sure to capture the wire ends under the wire clamp plates.
- Avoid frayed ends on wires that might produce a short circuit.
- Be careful not to overtighten the screws as this may strip the threads in the plastic



## Terminal Strip Identification

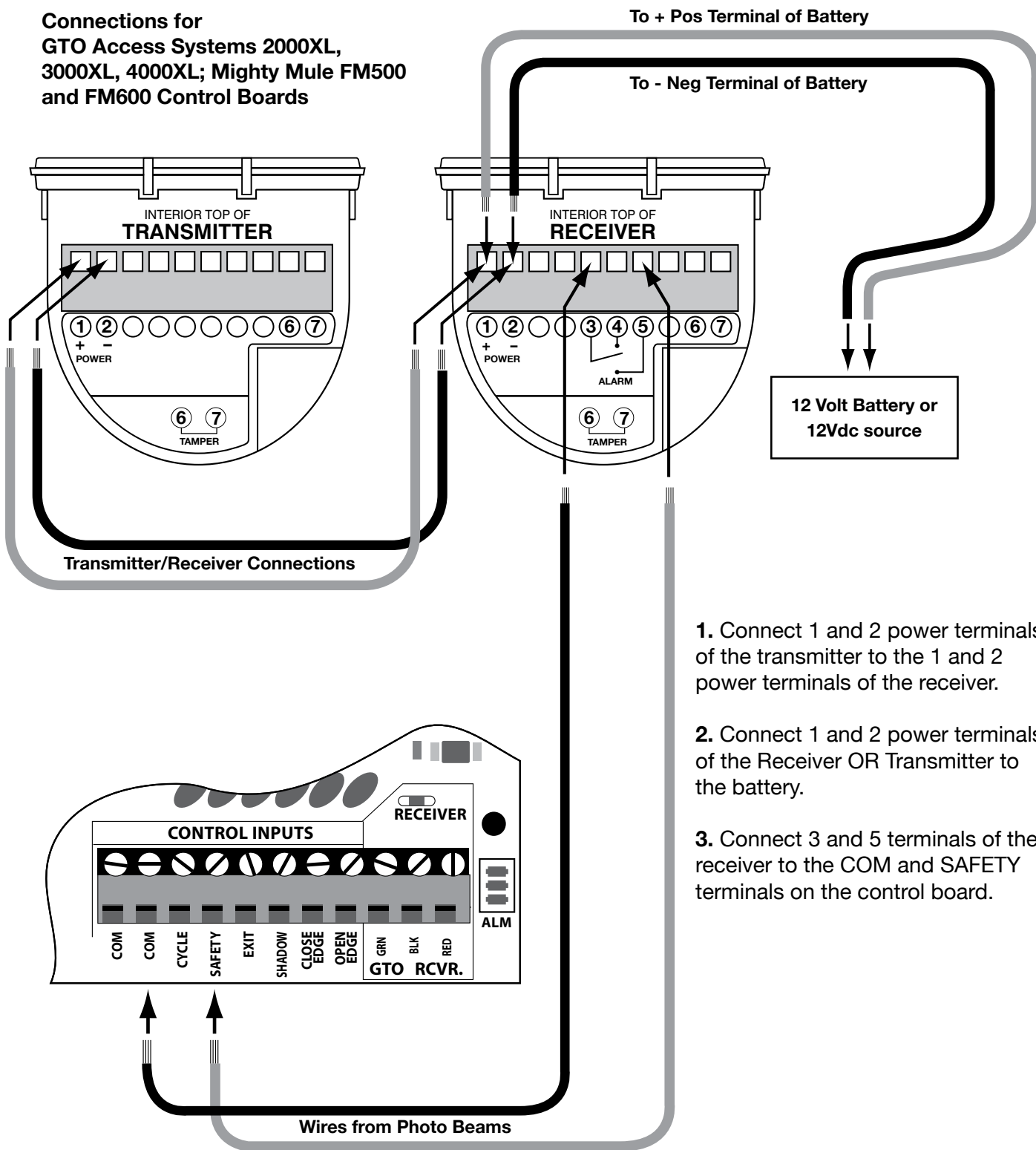
The diagrams below represent the terminal strips on the receiver and transmitter and can be used for reference for connections.



# Wiring the Photo Beams to GTO Access Systems and Mighty Mule Gen 3 (blue) or green Gate Opener Control Boards.

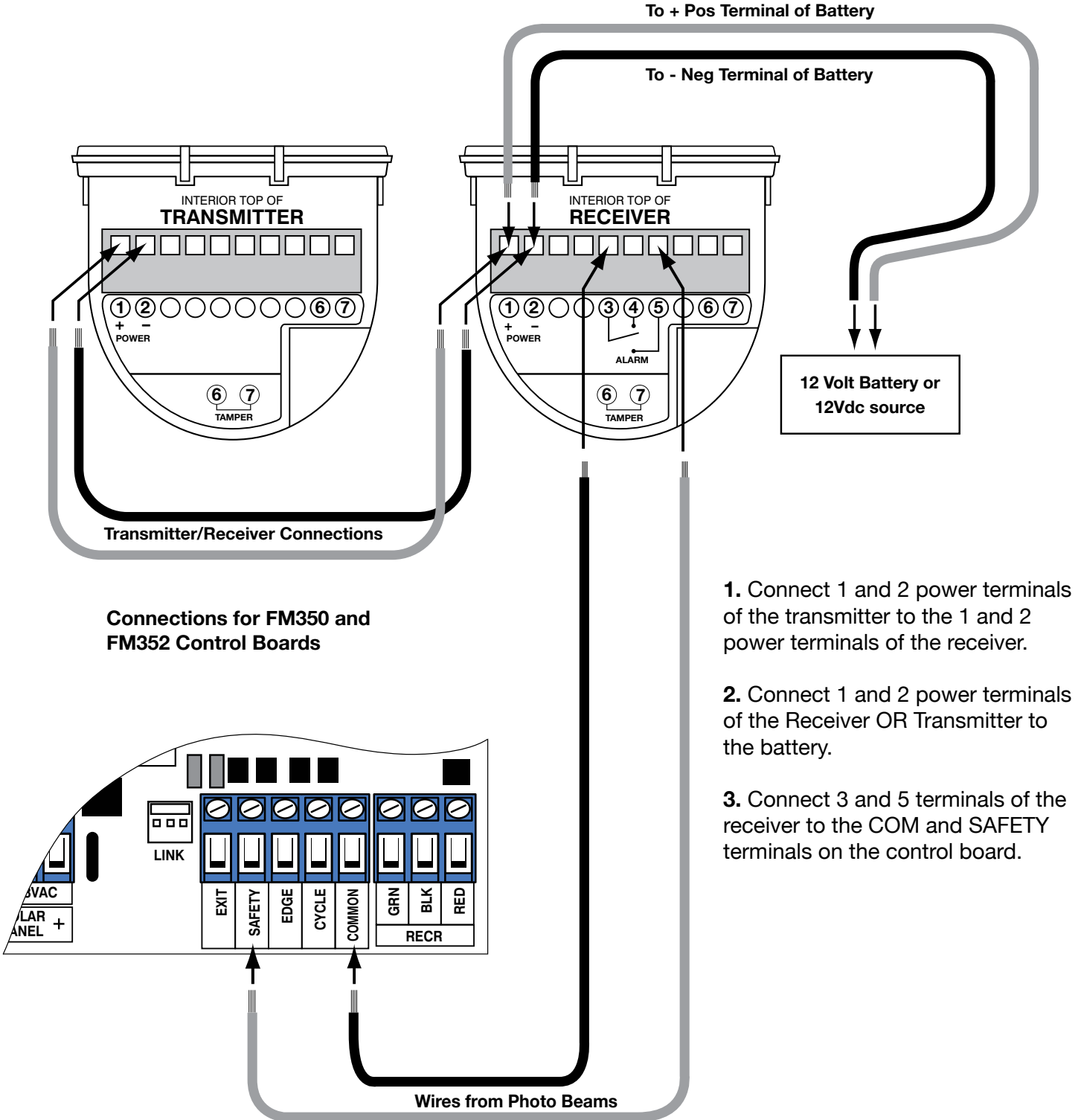
(models listed below)

Connections for  
 GTO Access Systems 2000XL,  
 3000XL, 4000XL; Mighty Mule FM500  
 and FM600 Control Boards

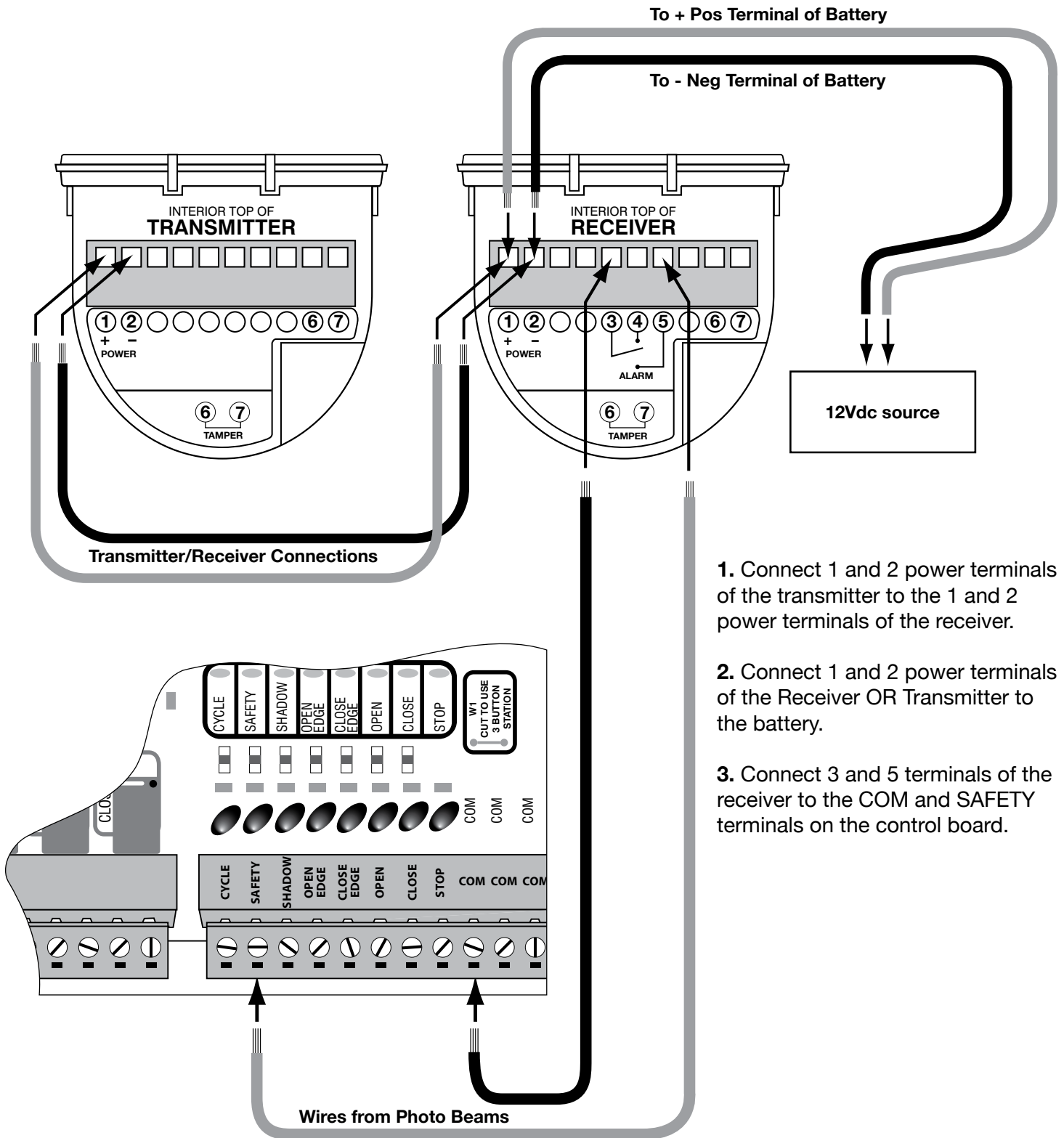


1. Connect 1 and 2 power terminals of the transmitter to the 1 and 2 power terminals of the receiver.
2. Connect 1 and 2 power terminals of the Receiver OR Transmitter to the battery.
3. Connect 3 and 5 terminals of the receiver to the COM and SAFETY terminals on the control board.

# Wiring the Photo Beams to Mighty Mule FM350 Gate Opener Control Board.

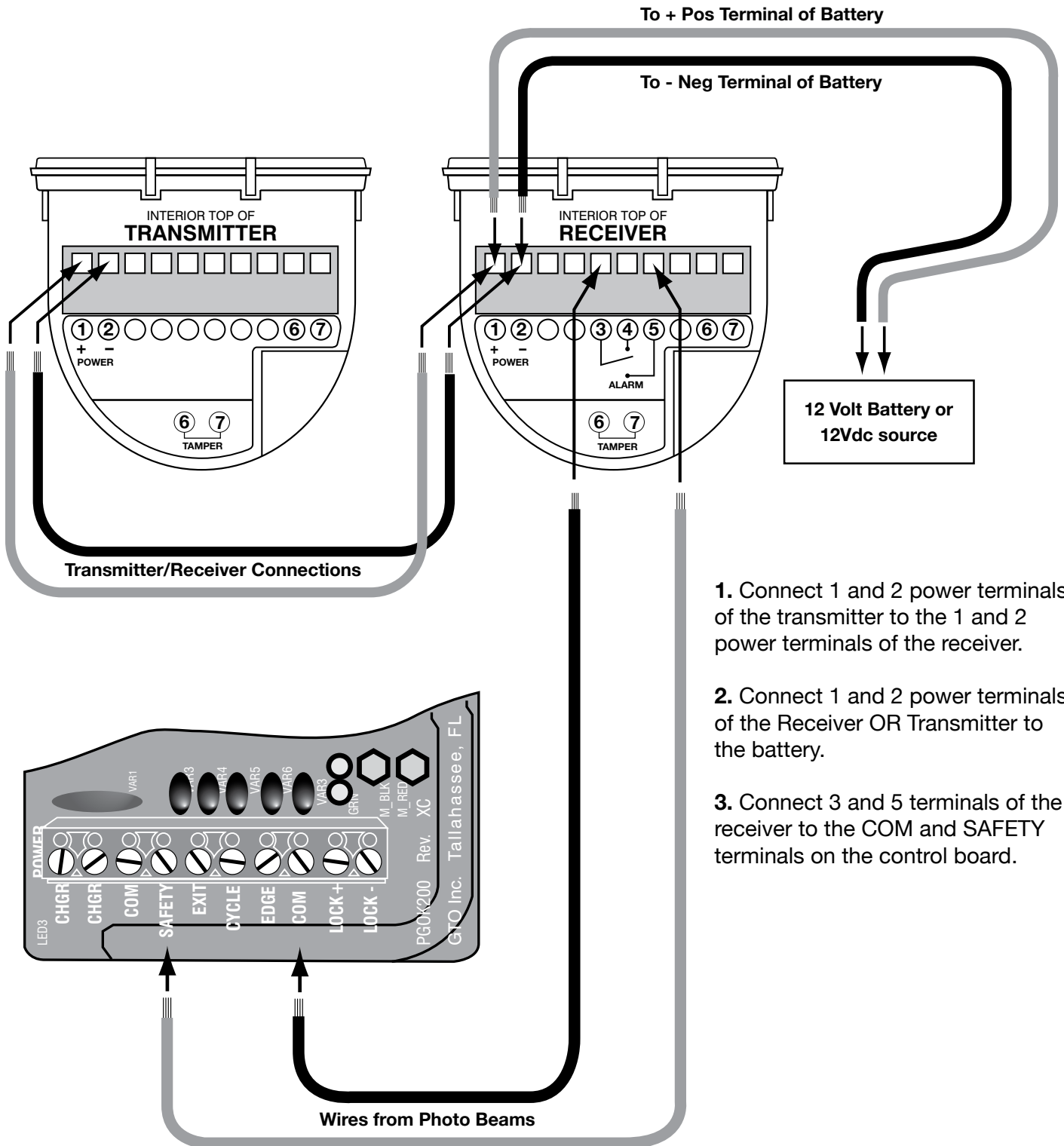


# Wiring the Photo Beams to GTO Access Systems GP-SL050, GP-SW050, GP-SL100 and GP-SW100 Gate Opener Control Boards.



1. Connect 1 and 2 power terminals of the transmitter to the 1 and 2 power terminals of the receiver.
2. Connect 1 and 2 power terminals of the Receiver OR Transmitter to the battery.
3. Connect 3 and 5 terminals of the receiver to the COM and SAFETY terminals on the control board.

# Wiring the Photo Beams to Mighty Mule 200 Gate Opener Control Board.



1. Connect 1 and 2 power terminals of the transmitter to the 1 and 2 power terminals of the receiver.
2. Connect 1 and 2 power terminals of the Receiver OR Transmitter to the battery.
3. Connect 3 and 5 terminals of the receiver to the COM and SAFETY terminals on the control board.

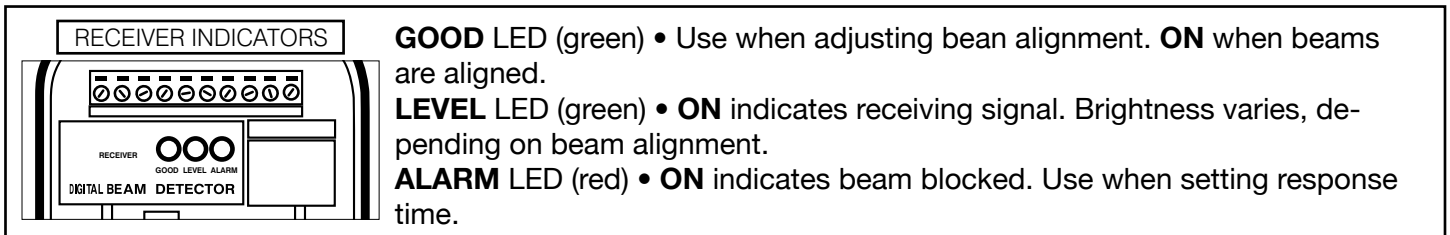
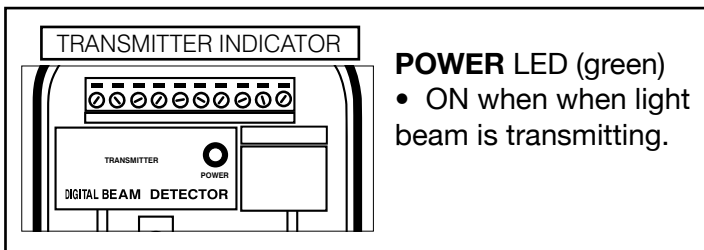
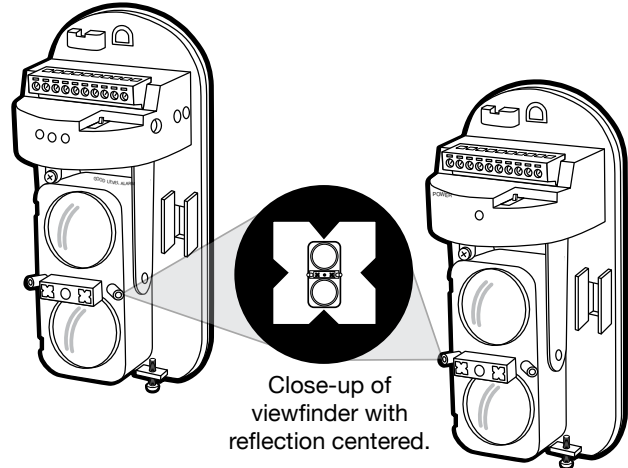
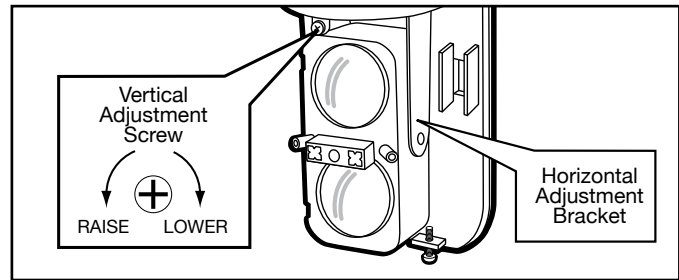


# Beam Alignment

## Adjusting Optical Axis with the Viewfinder

1. With the POWER connected and the RECEIVER and TRANSMITTER covers removed adjust the horizontal pivot, and the vertical adjustment screw using the built-in viewer. Look through the viewfinder on either side and adjust to put the opposite sensor in the middle of the cross-hairs in the view finder. The GOOD LED should be on. (Adjust the light axis until the indication lamp is on.)

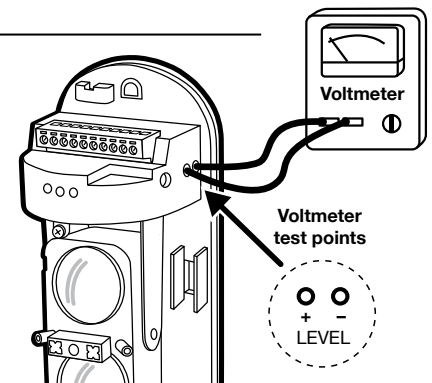
The brighter the LEVEL (green) LED the more precise the alignment of the beams.



## Adjusting Optical Axis with a Voltmeter

If you have a voltmeter, the best method of adjusting the optical axis is to measure the signal level at the test probe points.

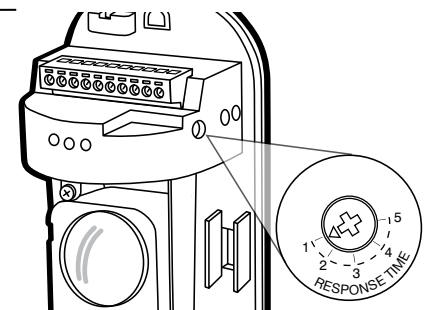
1. Insert the voltmeter probes into the test points on the side of the receiver.
2. Adjust the horizontal angle and vertical angle until the voltage is at maximum.
3. If a voltage of 1.2v or above cannot be reached, the transmitter and/or receiver should be readjusted.



## Beam Interruption Time Adjustment

Adjusts the amount of time between the beam being broken and the normally open relay closing. Adjust time adjustment dial from (1) detecting fast moving objects to (5) detecting slow moving objects depending on your type of application and environment.

The factory setting is set to 1 to detect fast moving objects.



# VERIFY CORRECT OPERATION

After installation, confirm correct operation by suitable walking tests. Refer to the appropriate LED indicators during the walking test and ensure the gate opener operates in the correct manner.

	Condition	Indication
<b>Transmitter</b>	Transmitting	POWER LED is ON
<b>Receiver</b>	Beam Not Blocked	GOOD and LEVEL LEDs are ON
	Beam Blocked	ALARM LED is ON

## TROUBLESHOOTING

Symptom	Possible Cause	Remedy
Transmitter LED does not light.	Improper voltage supplied.	Check the power supply and wiring.
Receiver LEDs do not light.	Improper voltage supplied.	Check the power supply and wiring.
Alarm LED does not light, even when beams are blocked.	<ol style="list-style-type: none"> <li>Beams reflect to the receiver by other objects.</li> <li>Both beams are not blocked simultaneously.</li> <li>Beam interruption time is too short.</li> </ol>	<ol style="list-style-type: none"> <li>Remove the reflecting object or change optical axis direction.</li> <li>Block both beams.</li> <li>Increase beam interruption time adjustment.</li> </ol>
When beams are blocked, receiver LED lights are ON, but not alarm.	<ol style="list-style-type: none"> <li>Wiring is short circuited.</li> <li>Wiring connection is not good.</li> </ol>	Check wiring and connection spot.
The alarm indication lamp of receiver is always on.	<ol style="list-style-type: none"> <li>Optical axis is not properly adjusted.</li> <li>There are obstructions between the transmitter and the receiver.</li> <li>The outer covers are dirty.</li> </ol>	<ol style="list-style-type: none"> <li>Adjust the optical axis.</li> <li>Remove the obstructions.</li> <li>Clean with window cleaner and a soft cloth.</li> </ol>
Intermittent Alarm (detection)  *If you're experiencing false detections then increase the time adjustment by 1 increment at a time until the photo beam functions as desired.	<ol style="list-style-type: none"> <li>Bad wiring.</li> <li>Fluctuating power supply / voltage.</li> <li>Intermittent blockage between the transmitter and the receiver.</li> <li>The receiver or transmitter is unstable.</li> <li>Blocked by other moving objects.</li> <li>Beam interruption time out of adjustment.</li> </ol>	<ol style="list-style-type: none"> <li>Check wiring.</li> <li>Check the power supply.</li> <li>Remove the obstruction or relocate.</li> <li>Fix the mounting.</li> <li>Adjust the optical axis.</li> <li>Adjust interruption time or change installation position.</li> </ol>

For online Technical Support visit the Online Troubleshooter Wizard 24 hrs/day 7 days/week at <http://support.gtoinc.com/support/troubleshooter.aspx> and open a Tech Ticket  
 Technical Support Hours: MON - FRI 8:00AM - 7:00PM (ET) (800) 543-1236

## SPECIFICATIONS

		MODEL R4222	
For optimal efficiency, wipe the outer cover frequently with a soft, damp cloth.	Detection Method		Infrared photoelectric
	Range	Outdoor	98.4 ft (30m)
		Indoor	295.2 ft (90m)
Not compatible with Solar Panels.	Beam Characteristics		Pulsed infrared dual beams
	Response Time		50~700msec (selectable)
	Power Input		DC12.5~24V / AC11~18V
	Current Consumption		40mA max
	Output Pulse Duration		2Sec (±1)nominal
	Alarm Output		Form B relay (AC/DC 30V 0.5A max)
	Tamper Switch		N.O. contact is open when cover is removed (transmitter and receiver)
	Operating Temperature		-13°F (-25°C)~131°F (55°C)
	Environment Humidity		95% max
	Alignment Angle		20° ± 10° vertical, ± 90° horizontal
	Mounting		Wall or pole
	Weight		.66lbs (300g) Both transmitter and receiver
	Appearance		PC Resin (Black)