



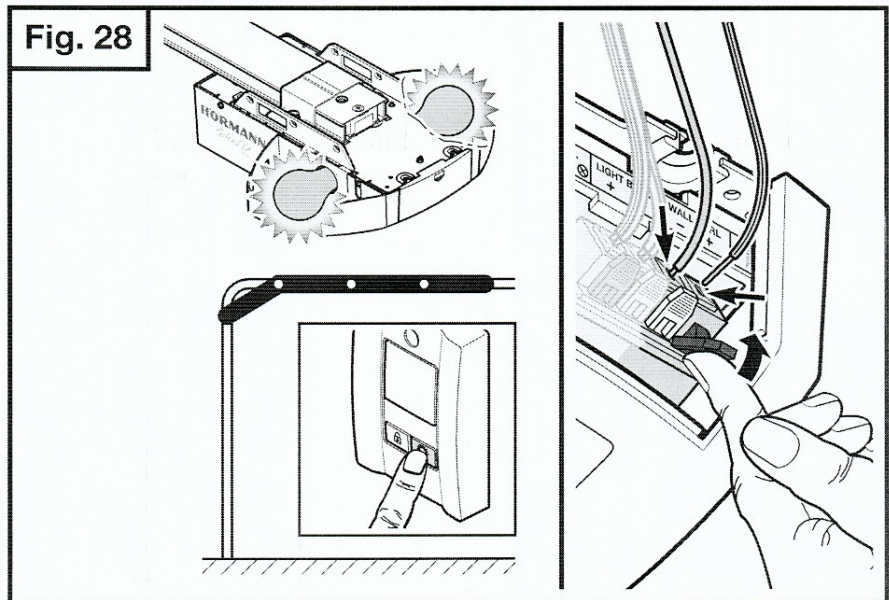
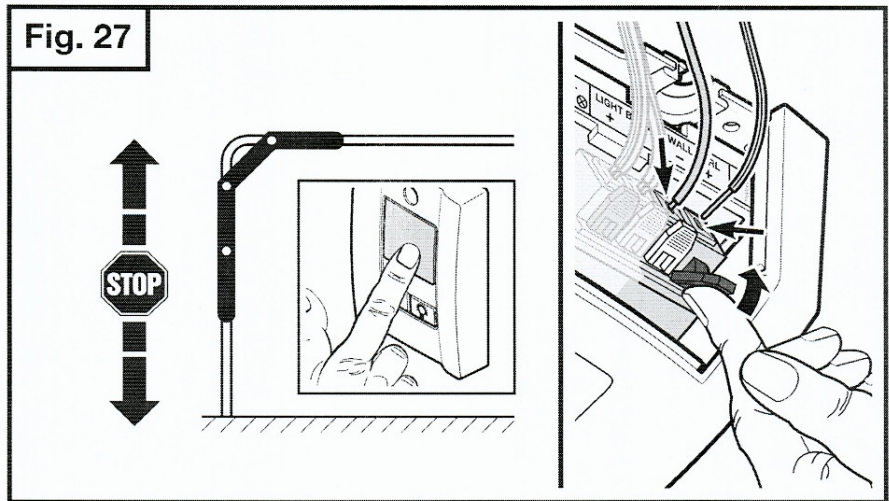
3.7 Wall control PB 3

The wall control PB 3 allows control of door control (**Fig. 27**), opener light (**Fig. 28**) and vacation function (**Fig. 29**).

Note:

Up to three wall controls PB 3 can be connected.

After correct installation and wiring, the button on the wall control will be light up.



Note:

To enable the vacation function press and hold the lock button (**Fig. 29**) for about 3 seconds until the light of the wall button starts flashing.

To disable the vacation function press and hold the lock button (**Fig. 29**) until the light of the wall button stops flashing.

The reception of radio codes is disabled when the vacation function is active and the light of the wall button is flashing.

