

Programming Wireless Keyless Entry Pad

Model : WKCC

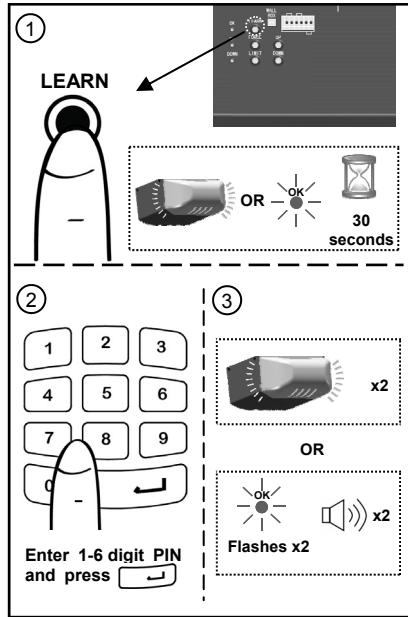


Fig.1

To Add Personal Codes:

1. Press/Release the "LEARN" button on the rear control panel, courtesy light will glow[#] or "OK" LED will glow and beep*. The unit is now ready to accept a transmitter in the next 30 seconds as shown in Fig.1.
2. Enter 1 - 6 digit(s) personal code on the Keyless Entry within 30 seconds and press/release [OK] button.
3. Courtesy light will flash twice[#] or "OK" LED will flash and beep twice* indicating personal code is stored in memory.

Up to 20 personal codes (including 1-button transmitters) can be added to the unit by repeating the above procedures.

If more than 20 personal codes are stored, the previously stored one from the very beginning will be replaced, i.e. the 21st transmitter replaces the 1st stored one.

Operation:

To access the door, enter a pre-stored personal code and press [OK] to transmit code, and within 20s, the [OK] button can be used to stop or reverse the door.

If the code is entered incorrectly, correction can be made by pressing [OK] to reset and re-enter code.

When dark, [OK] may be pressed in advance to turn on back light.

Removing ALL Personal Code(s):

To remove ALL personal code(s) and/or transmitters from memory, press and hold the "LEARN" button for 5 seconds. Courtesy light will flash or "OK" LED will flash and beep, indicating ALL codes/transmitters have been removed from memory.

[#]For units with AC motor

^{*}For units with DC motor

Mounting the Keyless Entry:

Keyless Entry may be secured on door jamb face outside your garage. Refer to Fig.2, locate the Keyless Entry within sight of door at minimum height of 5 feet (1.5m), ensure it is away from reach of children and moving parts of door and hardware. Test the reception of the Keyless Entry before mounting. Change location for better reception if necessary.

Use the mounting holes on the Keyless Entry as template to mark position on the mounting surface. On wooden use the screws provided. In case of drywall surface, drill holes and use drywall anchors provided.

Replacing Keyless Entry Batteries:

When the battery of Keyless Entry is low, dimmed illumination is observed. To replace batteries, remove the battery cover, replace the batteries with (2) 1.5V AAA alkaline batteries.

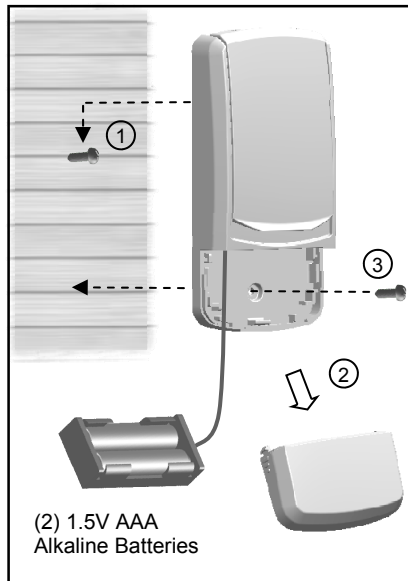


Fig.2

Programming Wireless Keyless Entry Pad

Model : WKCC

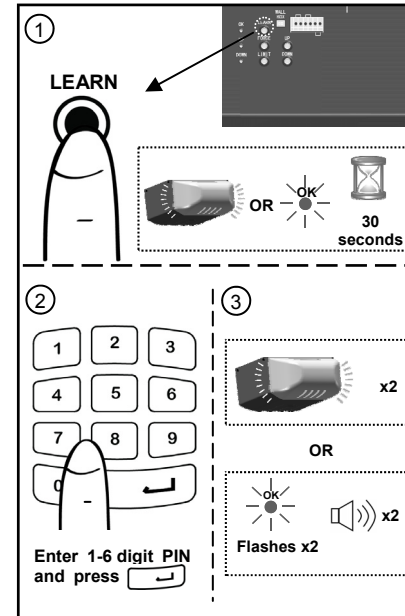


Fig.1

To Add Personal Codes:

1. Press/Release the "LEARN" button on the rear control panel, courtesy light will glow[#] or "OK" LED will glow and beep*. The unit is now ready to accept a transmitter in the next 30 seconds as shown in Fig.1.
2. Enter 1 - 6 digit(s) personal code on the Keyless Entry within 30 seconds and press/release [OK] button.
3. Courtesy light will flash twice[#] or "OK" LED will flash and beep twice* indicating personal code is stored in memory.

Up to 20 personal codes (including 1-button transmitters) can be added to the unit by repeating the above procedures.

If more than 20 personal codes are stored, the previously stored one from the very beginning will be replaced, i.e. the 21st transmitter replaces the 1st stored one.

Operation:

To access the door, enter a pre-stored personal code and press [OK] to transmit code, and within 20s, the [OK] button can be used to stop or reverse the door.

If the code is entered incorrectly, correction can be made by pressing [OK] to reset and re-enter code.

When dark, [OK] may be pressed in advance to turn on back light.

Removing ALL Personal Code(s):

To remove ALL personal code(s) and/or transmitters from memory, press and hold the "LEARN" button for 5 seconds. Courtesy light will flash or "OK" LED will flash and beep, indicating ALL codes/transmitters have been removed from memory.

[#]For units with AC motor

^{*}For units with DC motor

Mounting the Keyless Entry:

Keyless Entry may be secured on door jamb face outside your garage. Refer to Fig.2, locate the Keyless Entry within sight of door at minimum height of 5 feet (1.5m), ensure it is away from reach of children and moving parts of door and hardware. Test the reception of the Keyless Entry before mounting. Change location for better reception if necessary.

Use the mounting holes on the Keyless Entry as template to mark position on the mounting surface. On wooden use the screws provided. In case of drywall surface, drill holes and use drywall anchors provided.

Replacing Keyless Entry Batteries:

When the battery of Keyless Entry is low, dimmed illumination is observed. To replace batteries, remove the battery cover, replace the batteries with (2) 1.5V AAA alkaline batteries.

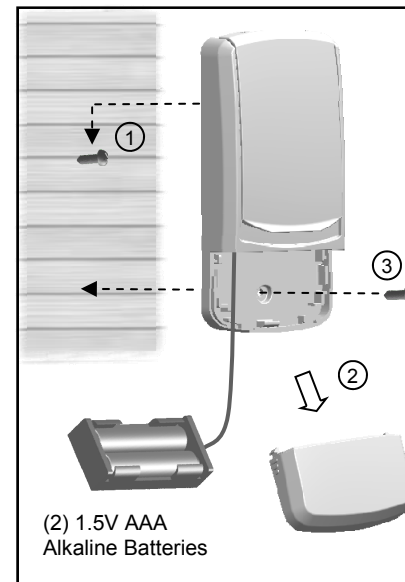


Fig.2