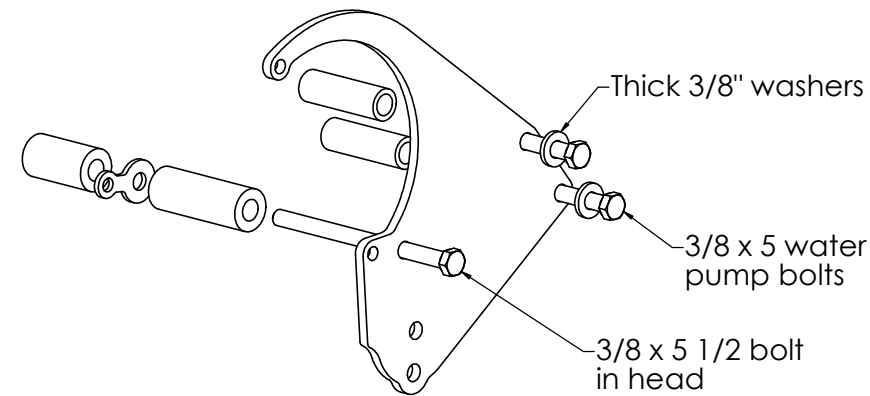


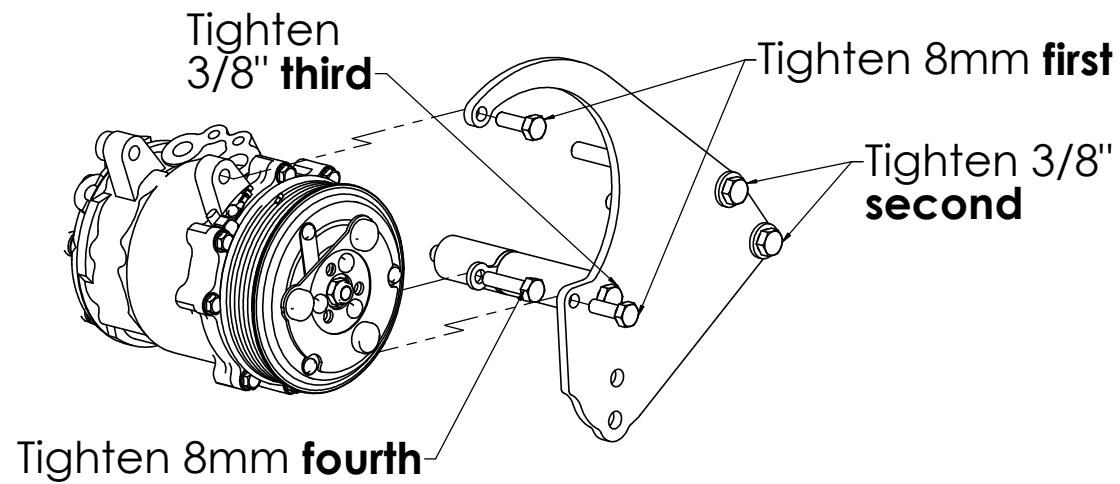
# K10312 Sanden SD7 model 7176 AC Bracket for small block Chevy engines



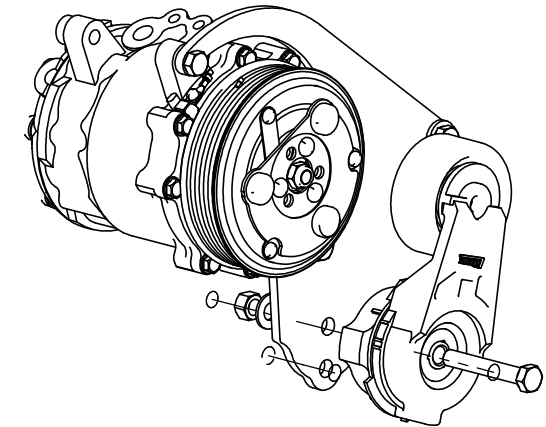
1. Bolt bracket to passenger side head and water pump. Leave bolts loose.



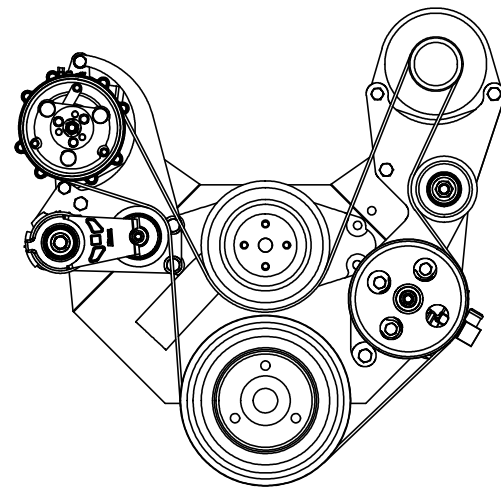
2. Attach Sanden SD7, model 7176 mini-compressor using 8mm bolts and nut. Do not use Sanden 508 style compressor. Tighten 3/8" bolts to 25 ft-lbs. Tighten 8mm bolts to 15 ft-lbs.



3. Attach tensioner. Tighten 3/8 bolt and nut to 25 ft-lbs.



4. Install 6-rib belt (not included). Gates K060815 (82.12") is suggested with 5.5" power steering pulley . K060825 (83.12") is suggested with 6.8" power steering pulley .



Belt routing