

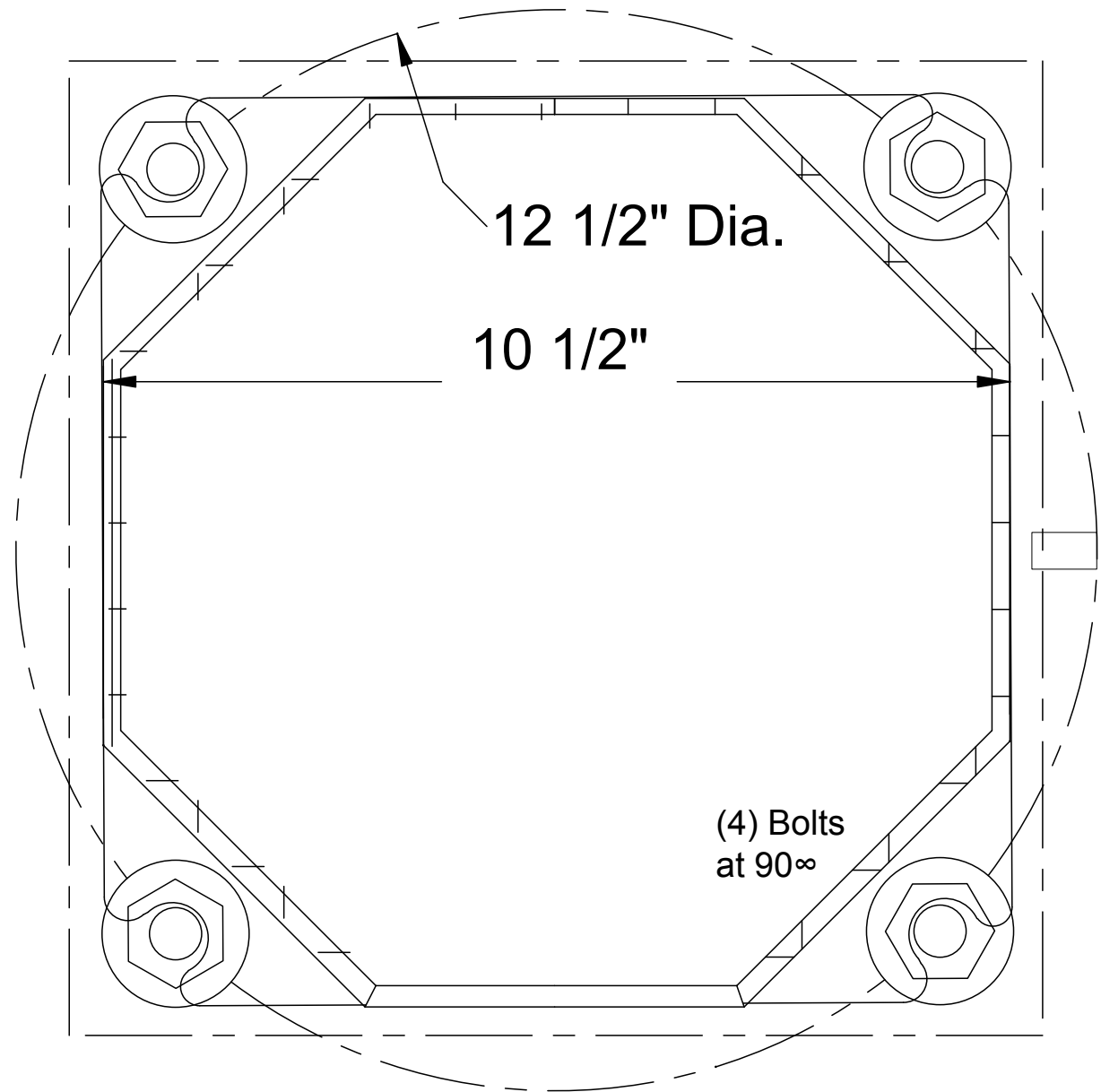


Anchor Template SMB2

(4) Galvanized
L-Type
Anchor Bolt
1/2" x 18"

Anchor Bolts Extend
2 1/2" above grade

Anchor Bolts Are
Concealed by
Cast Aluminum Cover



1634 Latrobe-Derry Road Loyalhanna, PA 15661
Phone 724-537-4711 FAX 724-537-9313
www.specialliteproducts.com
customer_service@specialliteproducts.com

Drawing Not To Scale