



## Signature Series Plaques – 1400 Series Surface & Lawn Mount Installation Instructions

Thank you for selecting Salsbury Industries' 1400 series signature surface and lawn mount plaques. We are confident that the quality of the plaque will prove to be a good investment. These instructions are intended to assist you in a typical installation.

### Surface Installation

The back of the plaque has two keyhole brackets to enable surface mounting without screw heads being visible on the front surface. A template is provided with the plaque to accurately locate the holes for the fasteners. Two flat-head screws are provided that fit the keyhole bracket. If a different type of fastener is required, choose one that has the same size and type head.

The fasteners should be first installed in the mounting surface such that the head protrudes out approximately 1/8" from the surface. See Illustration 1. The plaque should be positioned such that the larger holes in the keyhole brackets fit over the screw heads and then moved down to trap the screw heads in the smaller slots in the keyhole brackets. See Illustration 2. Try the plaque on the fasteners and adjust their protrusion to enable a snug fit of the plaque against the mounting surface.

If a secure rigid mounting is desired, it will be necessary to drill mounting holes through the plaque, countersink the front of the holes, and mount with appropriate flat head fasteners. Choose the drilled hole locations for the best appearance appropriate for the shape and size of the plaque.

### Lawn Installation

The back of the plaque has four holes that mate with the four holes in the metal stake provided. Attach the stake to the back of the plaque with the screws provided, being careful not to overtighten the screws, thereby stripping the threads in the hole. The stake flanges should protrude outward. See Illustration 3.

### Cleaning

Using a soft cloth or sponge, clean the plaque with liquid soap, detergent, or diluted water-soluble household cleaners. Completely remove residue of any cleaning products with water and dry with a clean cloth.

Illustration 1

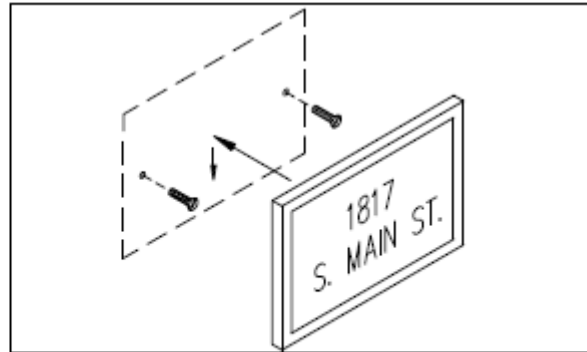


Illustration 2

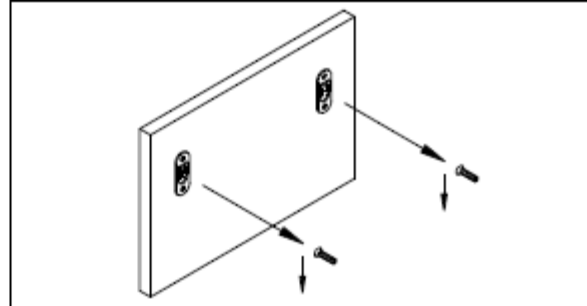


Illustration 3

