

# 4C Pedestal Mailboxes – 3400 Series

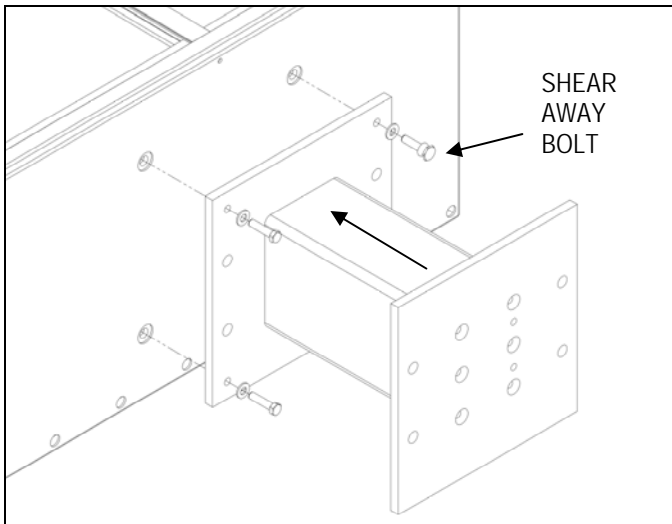
## Installation Instructions

With its high quality design and construction, Salsbury's 3400 series 4C Pedestal Mailboxes will provide years of maintenance free service. *Please read this entire document before beginning installation.*

**WARNING:** *The mailbox unit with installed pedestal must be mounted to a surface of sufficient load bearing strength. Attachment must be with fasteners that can adequately support the weight of the mailbox unit and pedestal from static and wind load conditions. Installing to a deficient load bearing surface and/or use of inadequate fasteners could cause the Pedestal Mailbox unit to tip over possibly resulting in serious injury. See below for further information.*

### Install Pedestal to Cabinet

1. Lay mailbox unit on its back to install pedestal to the cabinet as shown below. Mailbox unit is heavy, always get assistance to lift and move.
2. Fasten pedestal to mailbox bottom using four (4) 3/8" hex bolts and 3/8" washers provided. For added security, fasten the pedestal to mailbox bottom using a 3/8" shear away bolt provided in lieu of any one of the 3/8" hex bolts. Tighten the hexagonal head of shear away bolt until it snaps off. Pedestal is now not removable.



### Install Mailbox Unit to Mounting Surface

1. Use provided template to mark location of pedestal base anchors.
2. Install anchors (not provided). Use 1/2" diameter anchors of at least 6 inches.
3. Place provided rubber pad over anchors, see below.
4. Place the mailbox unit with installed pedestal over rubber pad and anchors.
5. Fasten pedestal to mounting surface with appropriate hardware (not provided).

