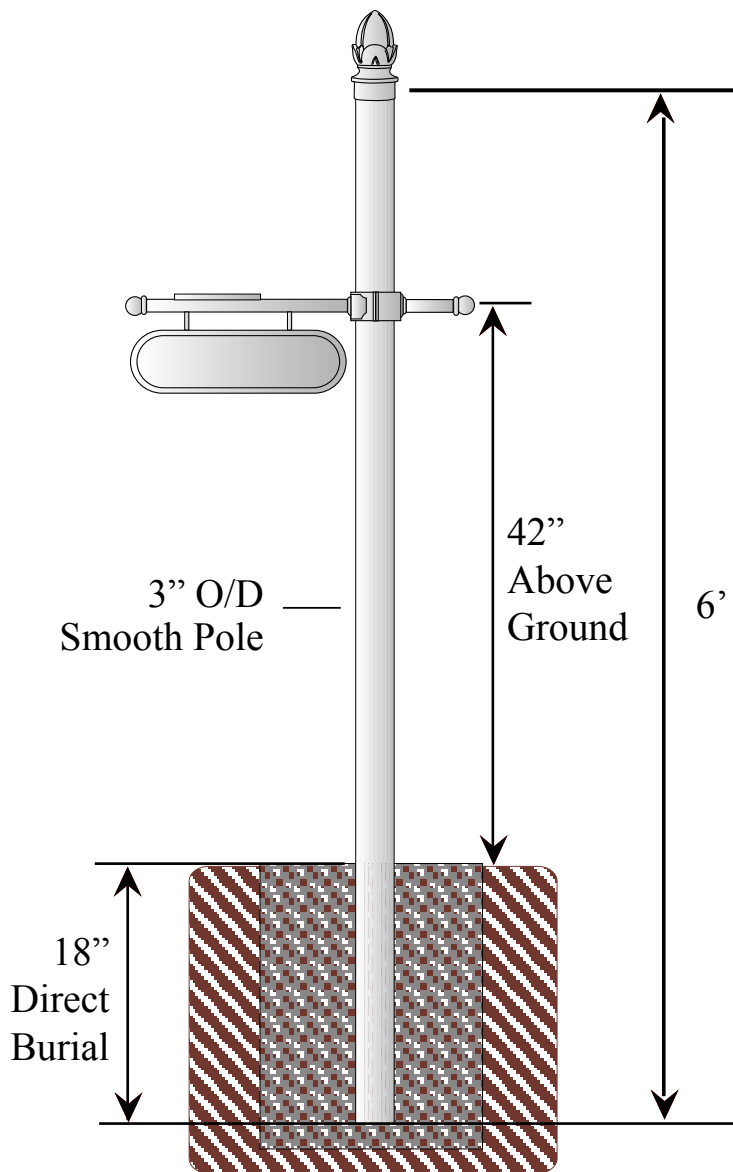


SPK-680 Installation Instructions



Installing your SPK-680 or SPK-680-DBL Direct Burial Mailbox Post.

1. Secure post in ground approximately 18" below surface level. (If burying in concrete, allow concrete to harden before adding accessories.)
2. Slide mailbox mounting arm over top of post and fasten into place.
U.S. Postal Service requires approximately 40" from ground level to mailbox bottom.
3. Attach mailbox to mounting arm bracket with four supplied screws.
4. Attach acorn post topper to top of post with supplied set screws.

Installation Instructions for Direct Burial Posts:

