

4C/CBU Mail Slot Plug Kit

Installation Instructions

Thank you for purchasing Florence Manufacturing's 4C/CBU Mail Slot Plug Kit. The following instructions will show you how to properly install the kit into your mailbox. This kit provides a method of restricting the delivery of mail to an outgoing mail compartment on any Florence 1565 or 1570 series cluster box units or 4C mailbox product. Temporary use of this product during construction may be used at the discretion of the installer. **Any permanent restriction of outgoing mail slots may only be authorized by the US Postal Service.** Please contact your local postmaster for authorization or questions regarding use of this product.

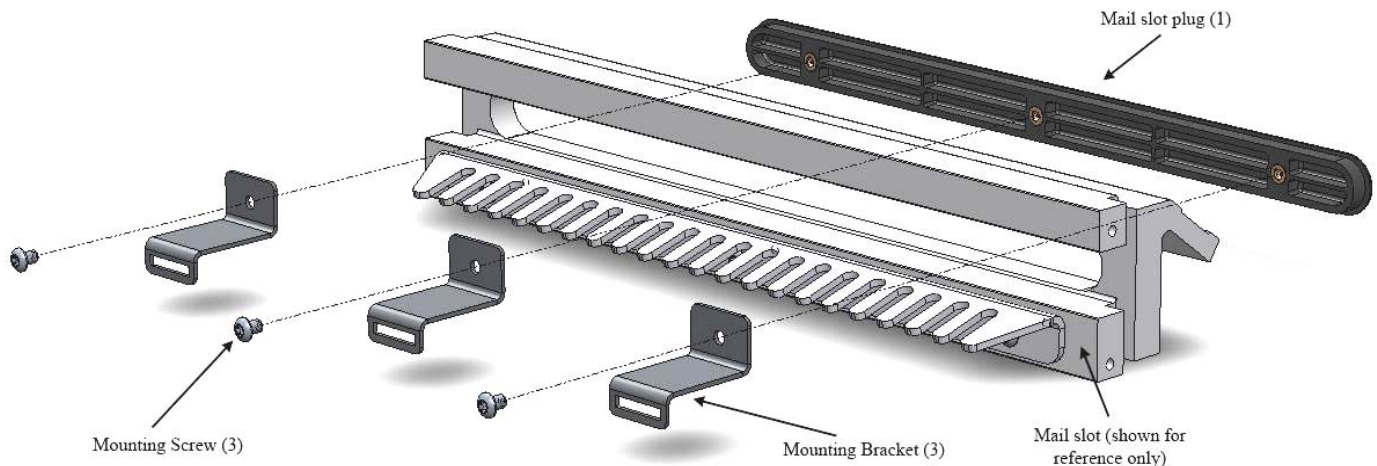
Contents of Kit (K64944)		
Part Number	Description	Quantity
64382	Mail Slot Plug	1
64383	Mail Slot Plug Mounting Bracket	3
64705	Screw, #8-32 x 1/4"	3

Tools Needed:

- T-15 Torx-head screwdriver (not included in kit)

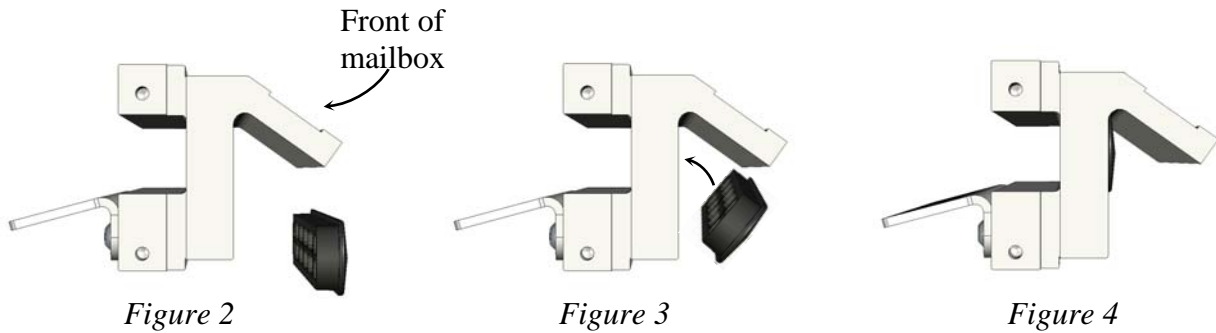
Step 1

Refer to Figure 1 to familiarize yourself with the parts.



Step 2

Install mail slot plug into mail slot as shown in Figures 2, 3, and 4.



Step 3

Secure the mail slot plug using the mounting brackets and mounting screws as shown in Figures 5 and 6. Note: Do not over-tighten screws!

