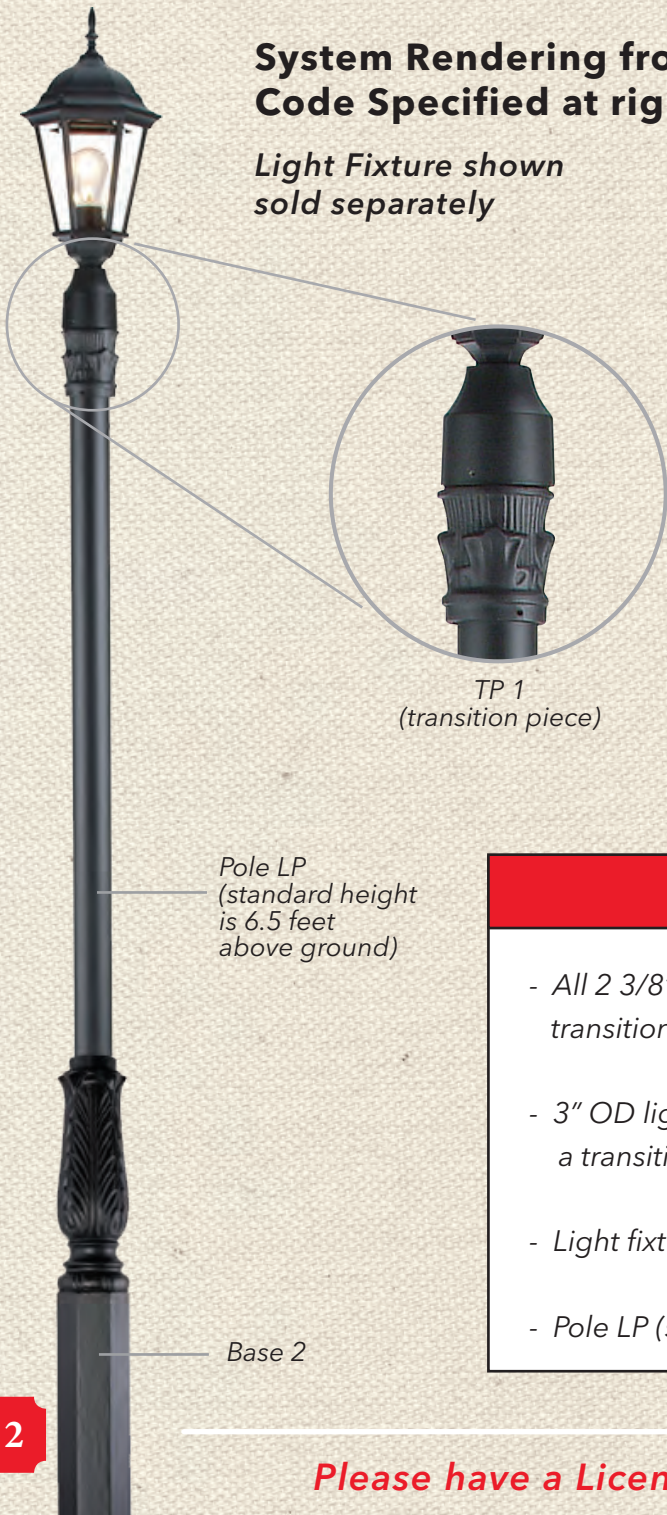


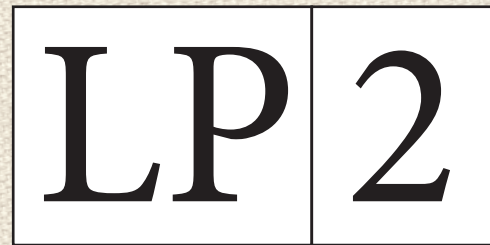
Imperial's line of decorative light poles are the perfect accent to any landscape. The poles are made for use with standard gas or electric lights available in your area.

— SYSTEM CODE SPECIFICATIONS —



System Rendering from Code Specified at right:

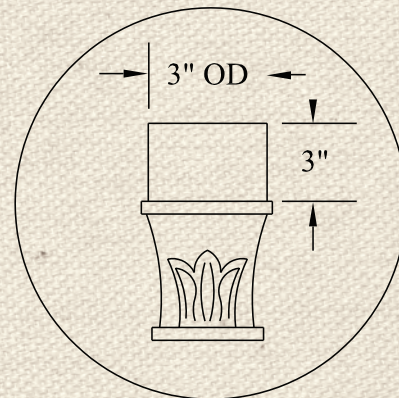
Light Fixture shown sold separately



DESIGNATES
LIGHT POLE

BASE
(Styles found on page 29)

TP 1
(transition piece)



Pole LP
(standard height is 6.5 feet above ground)

Base 2

SPECIFICATIONS

- All 2 3/8" OD light poles are equipped with a decorative transition piece (TP 1) to accommodate a 3" light fixture.
- 3" OD light poles (used with base 7, 8, or 9) do not require a transition piece.
- Light fixtures shown are sold separately.
- Pole LP (standard height is 6.5 feet above ground)

LP 2

Please have a Licensed Electrician wire your light.