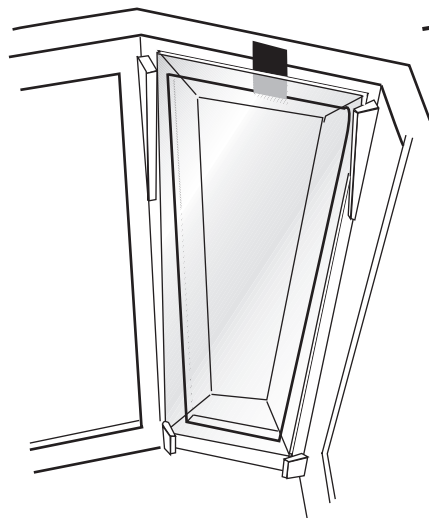
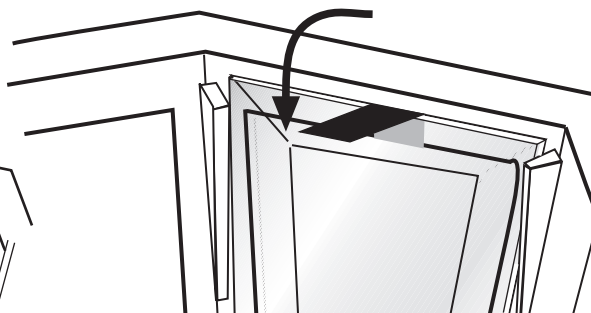


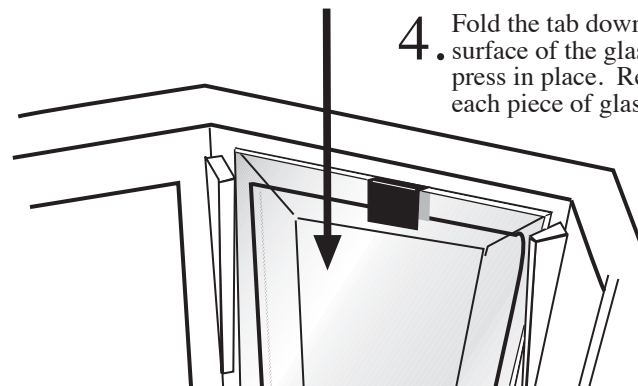
- 1.** Place glass clip against the top of cage inside and slide the glass down into the cage against the clip.



- 2.** Be sure the glass goes inside the tabs at the bottom of the cage.



- 3.** Using your finger, bend the glass clip down over the top edge of the glass.



- 4.** Fold the tab down against surface of the glass and press in place. Repeat for each piece of glass.