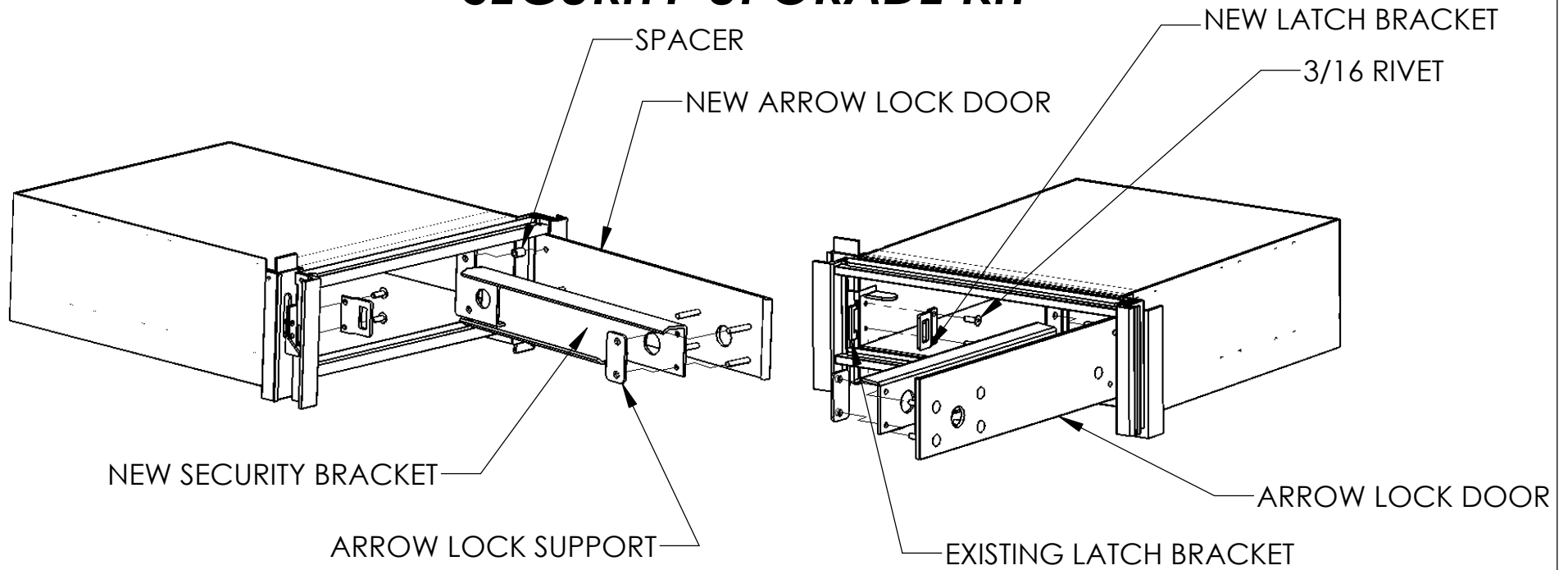


FIELD CONVERSION FOR 1118E ARROW LOCK DOOR SECURITY UPGRADE KIT



CONVERSION PROCEDURE

1. OPEN COLLECTION DOOR
2. PLACE NEW LATCH BRACKET OVER EXISTING BRACKET CENTERING SQUARE HOLES
3. CLAMP NEW BRACKET ONTO EXISTING BRACKET WITH LOCKING PLIERS
4. DRILL TOP RIVET HOLE USING A .196 DRILL BIT
5. RIVET TOP BRACKET HOLE USING 3/16 RIVET PROVIDED
6. DRILL BOTTOM RIVET HOLE WITH NEW BRACKET CENTERED OVER EXISTING BRACKET
7. RIVET BOTTOM BRACKET HOLE USING 3/16 RIVET PROVIDED

CS5601

AUTHAF FLORENCE
A FLORENCE COMPANY
5935 CORPORATE DRIVE
MANHATTAN, KS 66503

THIS DRAWING IS THE SOLE PROPERTY OF AUTH-FLORENCE MANUFACTURING WHO CLAIMS PROPRIETARY RIGHTS IN THE MATERIAL DISCLOSED. IT IS ISSUED IN CONFIDENCE FOR ENGINEERING INFORMATION ONLY AND MAY NOT BE COPIED OR USED FOR INFORMATION OR MANUFACTURE OF ANYTHING SHOWN WITHOUT SPECIFIC PERMISSION FROM AUTH-FLORENCE MANUFACTURING.
COPYRIGHT AUTH-FLORENCE 2004