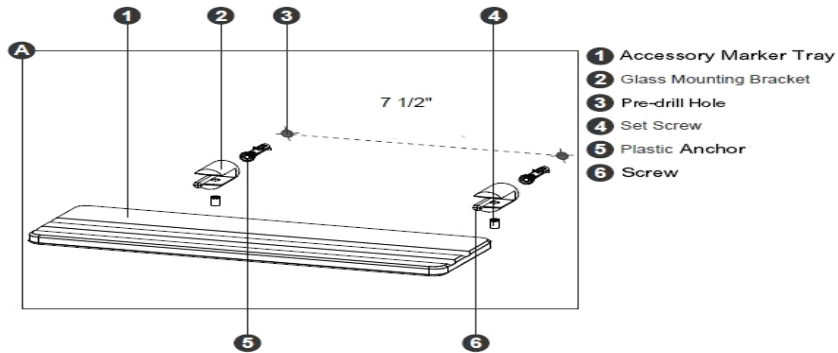


## Glass Accessory Marker Tray Installation



(A) Determine Glass Accessory Tray position. Mark with pencil two position on the wall – 7 1/2" apart-  
 Drill pilot holes. Install the anchors into the pre-drill holes and place a Glass Mounting Bracket on top of each drywall anchor and attach using one screw.  
 Place the Glass Accessory Tray into the slot in the mounting bracket and place the set screw in position below the slot and fasten the screw securely to hold the glass accessory tray in place.



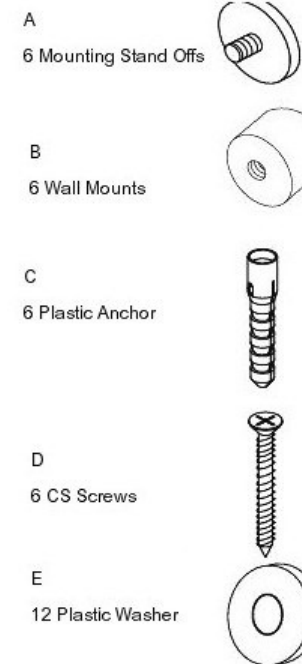
### CARE

#### Maintenance of your Pegasus Magnetic Glass Board is simple.

**For item PHG – Magnetic Glass Board** – Use a dry-erase or dry paper towel to wipe away dry erase markings regularly. We recommend occasionally using a glass cleaner or wet paper towel to keep clean and clear visibility always.

**For item PLG – Projectionable Magnetic Anti-Glare Boards** – Use a dry erase or dry paper towel to wipe away dry erase markings, then **By using a spray-on type of glass cleaner (Windex)**, the glass board may be given a thorough cleaning. Simply spray the surface and briskly rub with a clean cloth. Then rinse with clear water. Avoid using caustic or abrasive type cleaners. Wipe dry with clean, dry cloth.

## Magnetic Glass Boards Installation Instructions



We supply standard plastic anchors and screws that most customers use for installing the glass boards; however, there are too many variables for us to specifically indicate what is best for every wall. Some anchor and screws modifications may be necessary.

Pegasus Whiteboards Products, Inc

Customer Service: [sales@pegasusav.us](mailto:sales@pegasusav.us) 800-486-7060 Fax (847) 586-0287

[www.pegasusav.com](http://www.pegasusav.com) — [www.pegasusav.us](http://www.pegasusav.us)

# 1

Determine Glass Board location, measure from floor to the bottom edge of board. Hold your board up in position with a **level on top**, when it's in place draw a line under the bottom of the board. If your wall has studs determine the centerline of the studs. It is recommended that you tie into as many studs as possible when mounting your glass board. **Important is to tie the center holes' standoffs of your glass board to the wall stud**

## WARNING:

Failure to provide adequate structural strength for this glass board can result in serious personal injury or damage to Glass board! **It is the installer's responsibility to make sure the structure to which this glass board is attached can support the weight of the glass board.**

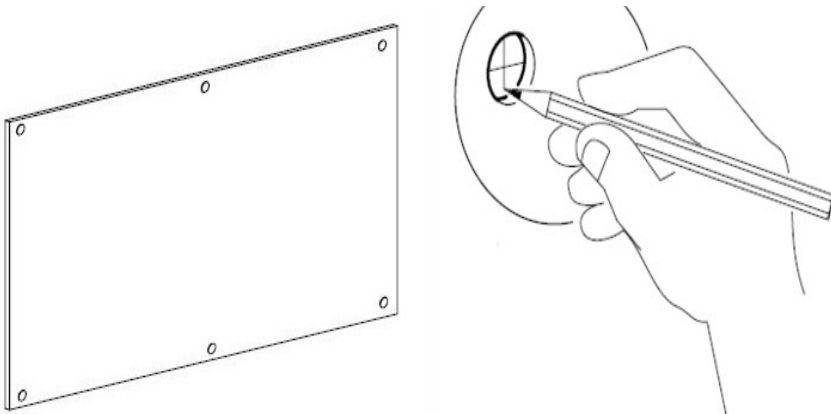
Installing to a Wood Stud Wall

1. Determine the center of the whiteboard. (center holes of glass board)
2. Locate the stud in the center of the glass board

## WARNING:

IMPROPER INSTALLATION CAN LEAD TO GLASS BOARD FALLING CAUSING SERIOUS PERSONAL INJURY OR DAMAGE TO GLASS BOARD! Over-tightening of mounting hardware can damage the edges of the holes on the glass board. **DO NOT** over-tighten mounting hardware!

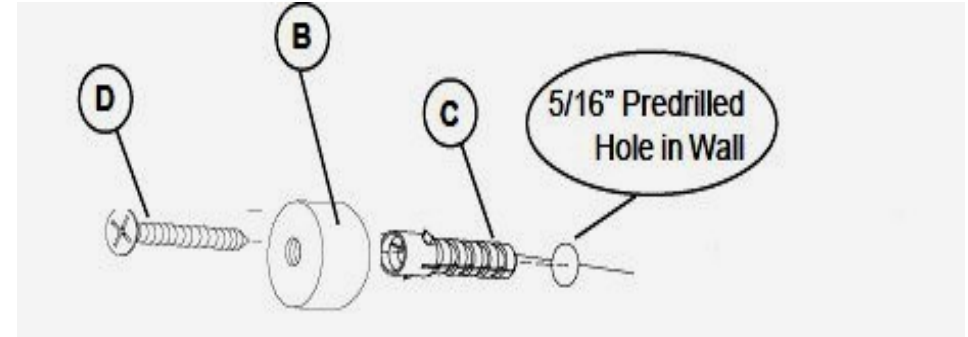
\*\*The proper installation of your Glass Board will require at least two people.



# 2

After you have marked each of the six (6) mount holes on the wall, install the six (6) board mounts (B) Install the Board Mounts (B) as show in the illustration below. Pre-drill a 5/16" diameter hole in the center of each of your marked mount holes. Push in or lightly hammer a Plastic Anchor (C) into each pre-drilled hole. Place the Wall Mount (B) on top of the Plastic Anchor (C) and attach using one Screw (D). Repeat this step for each Wall Mount (six on total)

**\*\*Important is to tie the center holes' standoffs of your glass board to the wall stud. Use the large screws (stud screws) to attach standoffs to wall studs—when attaching to wall studs there is no need to use plastic or metallic anchors.**



# 3

Center the Glass Board over the six (6) Wall Mounts (B). Secure the Glass Board in place by screwing in a mounting stand-off (A) and a plastic washer (E) into each threaded hole in the Wall Mounts (B). Repeat this step for each of the remaining wall mount threaded holes. Make sure to tighten stand-off screws to secure board.

