

Over Armour Offroad

2515 Bypass Rd. Flemingsburg, KY 41041
606-845-7439

Instructions for Installation and Care of

Yamaha Viking

Door Rear Window Combo

YA-VIKING-6-DRW01

Notice: Do not smoke inside the cab or expose the enclosure to direct flames. Cab is Flammable.

1. Be sure to read these instructions thoroughly before opening and installing the Yamaha Viking 6 Doors and Rear Window. The installation is best done when the temperature is 70 degrees F. or warmer. The temperature affects the adhesive Velcro, if conditions prevent installing in warmer weather it helps to store the adhesive Velcro at room temperature prior to installation.
2. Carefully open the carton and remove the enclosure on a large flat surface that is clean and free of dirt.
3. Check over the parts included in the carton with the parts list shown below:

				<u>Doors</u>
Adhesive Velcro Hook Strips:				28 each-----3”
“ “ “ “				2 each-----5”
“ “ “ “				2 each-----8”
“ “ “ “				2 each-----24”
				<u>Rear Window</u>
“ “ “ “				2 each-----3”
“ “ “ “				2 each-----8”
“ “ “ “				1 each-----16”
Snap Studs				14 each (2 extra)
Cab Enclosure				4panels

The cab will be put together using the following parts and in this order.

- 1) Doors
- 2)Rear Window

DOORS

1. Begin by installing the doors. If possible, have someone else hold the door in place and mark the location of each Velcro strip sewn along the **top and front** edges of the door.

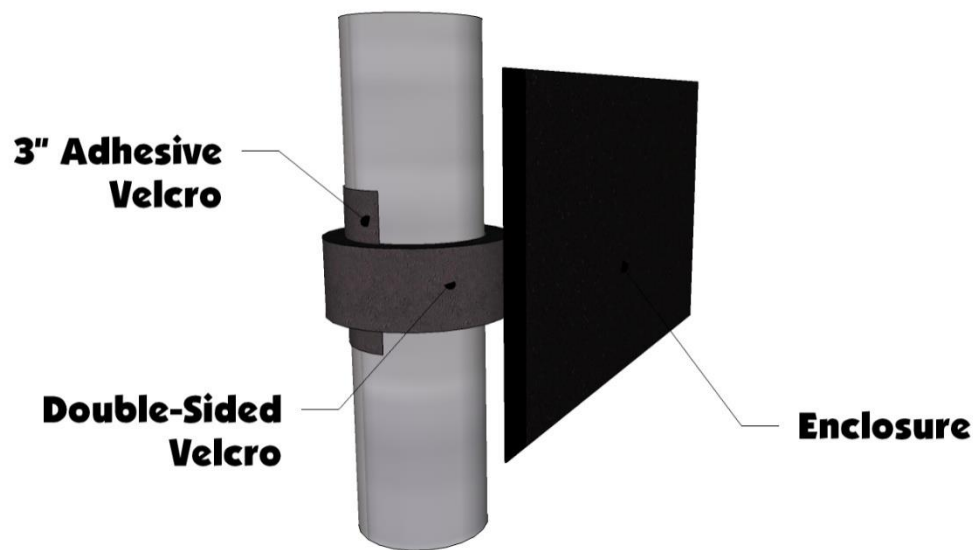
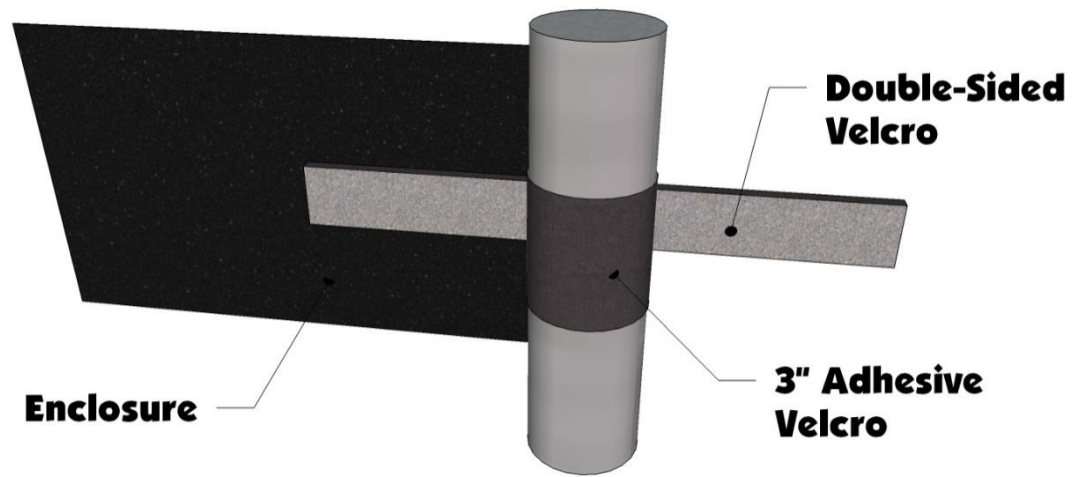
Now take the supplied 3" adhesive Velcro strips and wrap them around the roll cage at the marked locations. Now put the door back onto the vehicle and wrap the double-sided Velcro around the adhesive Velcro as shown in the photos on the next page.



2. The rear edge of the doors has 2 strips of Velcro sewn down the entire length. Starting at the top use the 5" and 21" adhesive strips to attach the door to the roll cage. This attaches to the Velcro sewn down the sides of the rear window. See photos below.



3. The diagrams below show how the double-sided straps and the 3" adhesive Velcro works.



4. The front bottom corner of the door is held in place by an 8" long adhesive Velcro strip. The photo below shows the proper placement.



5. Finally, the bottom of the door has three snaps, one on the inside and two on the outside. Best way to put the screw studs in the correct place is to install the screw stud into the snap on the door first. Then pull the door in place and push the point of the screw into the plastic making sure to leave a good mark. Then pull the snap stud out of the door and screw into the plastic where the mark was left. See photo below.



REAR WINDOW

6. Begin by placing the 16" adhesive Velcro strip centered on top of the top rear bar that runs from one side to the other. Then place the two 8" adhesive strips in each side of the 16" strip leaving a 2" gap between them. The photo below shows how this should look.



7. The sides of the Rear Window will attach to the Velcro tabs from the doors. The one exception is the top corners that have a double-sided tab that is held in place by a 3" adhesive strip. The bottom of the Rear Window will hang between the bed and the backs of the seats. See photos below.



Cleaning and Storage Recommendations:

1. Before removing the Over Armour Cab for storage, make sure it is very clean in order to prevent scratching of the window panels. Clean with a soft rag or sponge using a mild liquid detergent soap and warm water solution. Never rub the windows with a dry cloth or rag! Let the Cab dry thoroughly before attempting to roll for storage.
2. It is important that the Cab be rolled up for storage rather than folding. Folding will cause damage to the windows!!! Carefully roll up the Cab similar to the way it was when it was packed at the factory. On a large, clean and flat surface, fold the doors over the rear panel first, then, interleave the top and windshield on top of the doors. Begin rolling the Cab into a roll approximately 8 inches in diameter. Put the rolled Cab back into the carton for storage at a normal room temperature. It is best not to expose the Cab to either extreme hot or cold temperatures when storing.
3. A special cleaner conditioner is available from Over Armour that will greatly increase the service life of the Cab Enclosure. In addition, if additional hook and loop sets are needed, they can also be ordered.