

# Over Armour Offroad

2515 Bypass Rd. Flemingsburg, KY 41041

606-845-7439

## Instructions for Installation and Care of

### Yamaha Rhino

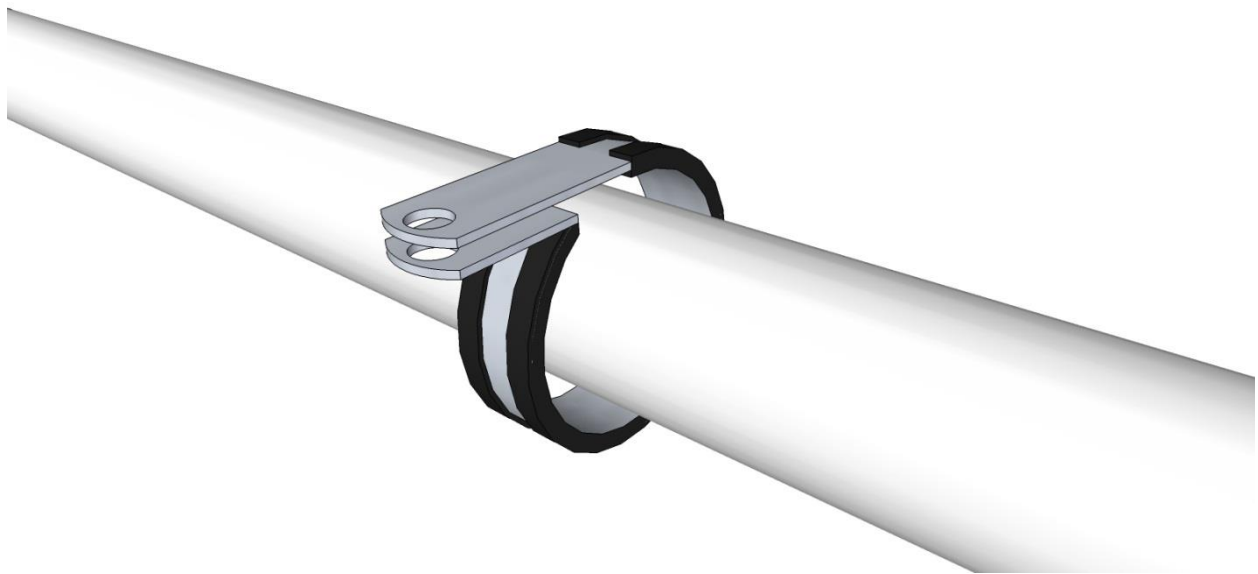
### Aluminum Diamond Plate Roof

YA-RHINO-HT01

1. Be sure to read these instructions thoroughly before opening and installing the Rhino Roof.
2. Check over the parts included in the cartons with the parts list shown below:

1 3/4" Loom Clamps	10 each
1" Stainless Steels Bolts	10 each
Large Washers	10 each
Small Washers	10 each
Rubber Washers	10 each
Lock Nuts	10 each
170" Rubber Edge Trim	1 each

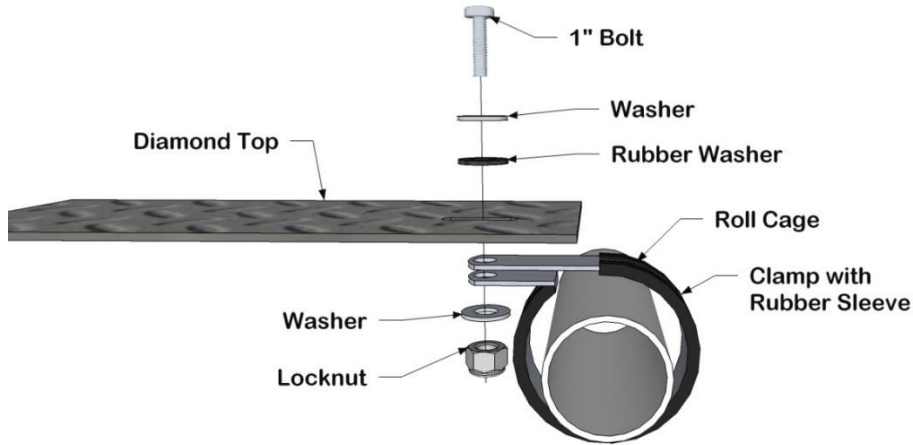
3. Begin by taking the loom clamps and wrapping them around the roll cage on both the front and back of the vehicle. Wrap them so that the flat side of the clamp is on top as shown in the photo below.



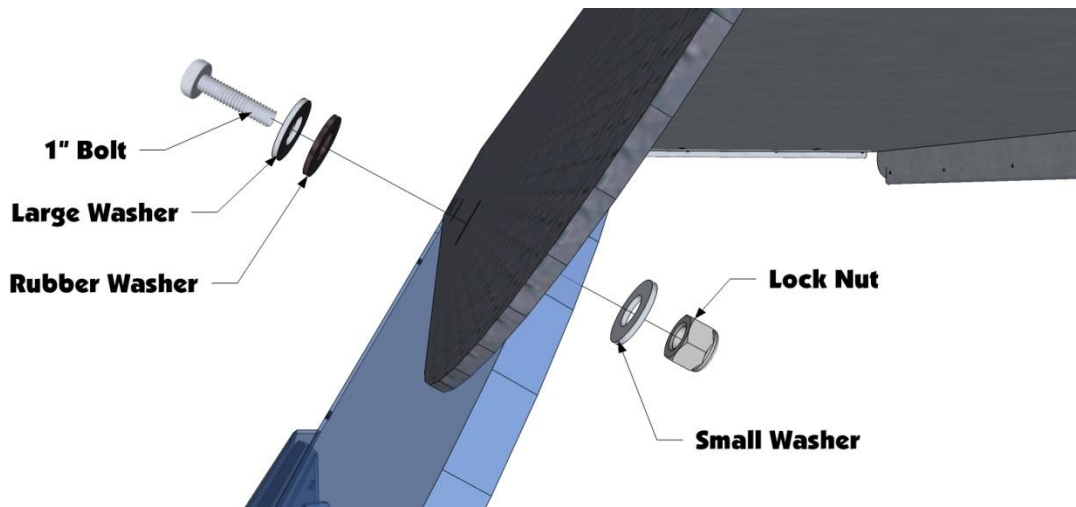
4. Before placing the roof on the vehicle take the 170" Rubber Edge Trim and place it around the front edge as shown in the photo below.



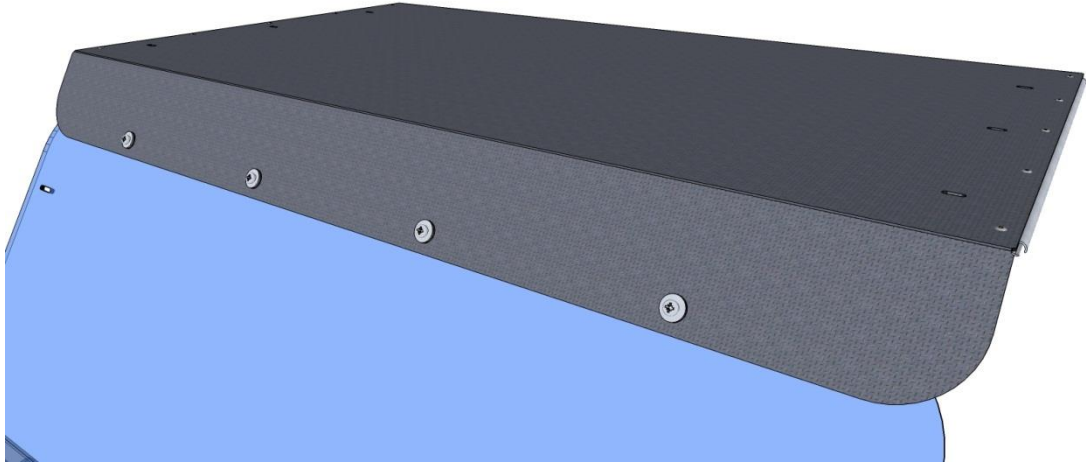
5. Now install the hardware as shown in the photo below. Do not tighten completely.



6. If you have an Over Armour Windshield the two pieces are made to connect together using bolts. We suggest bolting the roof to the windshield before tightening down the clamps above. The photo below shows how the two pieces should be connected.



7. Make sure that the top and windshield are straight with each other. The bolt should fit in the middle of the slot on the roof. When together they should look like the photo below.



8. Now tighten the clamps holding the roof down and the installation is complete. The following photos show how everything should look. (Rhino windshield not shown)

