

# Over Armour Offroad

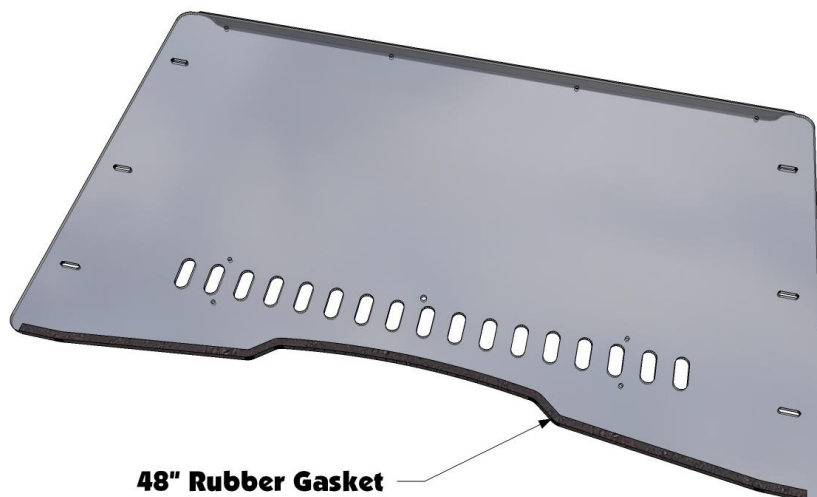
2515 Bypass Rd. Flemingsburg, KY 41041  
606-845-7439

**Instructions for Installation and Care of**  
**Textron Stampede 4**  
**Aero-Vent Polycarbonate Windshield**  
TX-STAMP-4-WD05

1. Be sure to read these instructions thoroughly before opening and installing the Textron Stampede 4 Aero-Vent Polycarbonate Windshield.
2. Check over the parts included in the cartons with the parts list shown below:

Velcro Strap Clamps	4 each
1" Bolts	2 each
1 3/4" Hex Head Bolts	2 each
Lock Nuts	2 each
Nylon Spacers	4 each
Small Washers	2 each
Plastic Thumb Nuts	2 each
Slide Fasteners	10 each
48" End Bulb Rubber Gasket	1 each
Vent Sliders	2 each
Lexan Windshield	1 each

3. Start by pulling it out of the box, find a clean area to lay it down, and install the hardware. Begin by peeling off the protective film. Next take the 48" piece of rubber gasket and starting at one end firmly place along entire bottom edge of the Windshield as shown in the photo below.

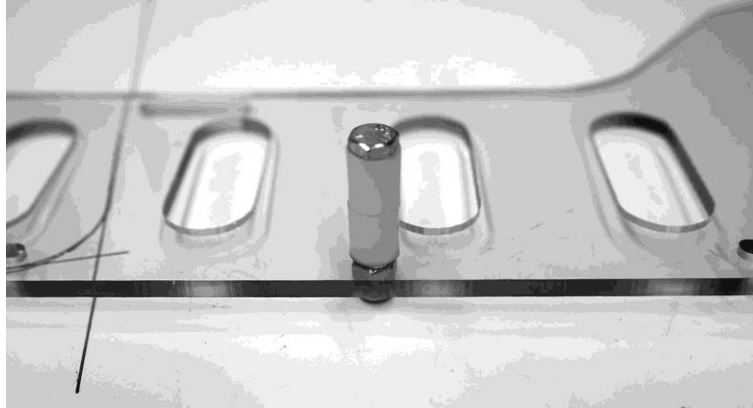


4. Next prepare the vent slider to be installed on the windshield. Take the two hex head bolts, 4 nylon spacers and two lock nuts and attach them to the vent sliders as shown in the photos below.



Take the spacers and slide two of them over the bolt as shown below





Now insert the bolt in the small holes and screw on the lock nuts so the end of the bolt is flush with the outside edge of the lock nut. **Make sure that you place the bolt through hole on each slider so that they are mirror images of each other.**

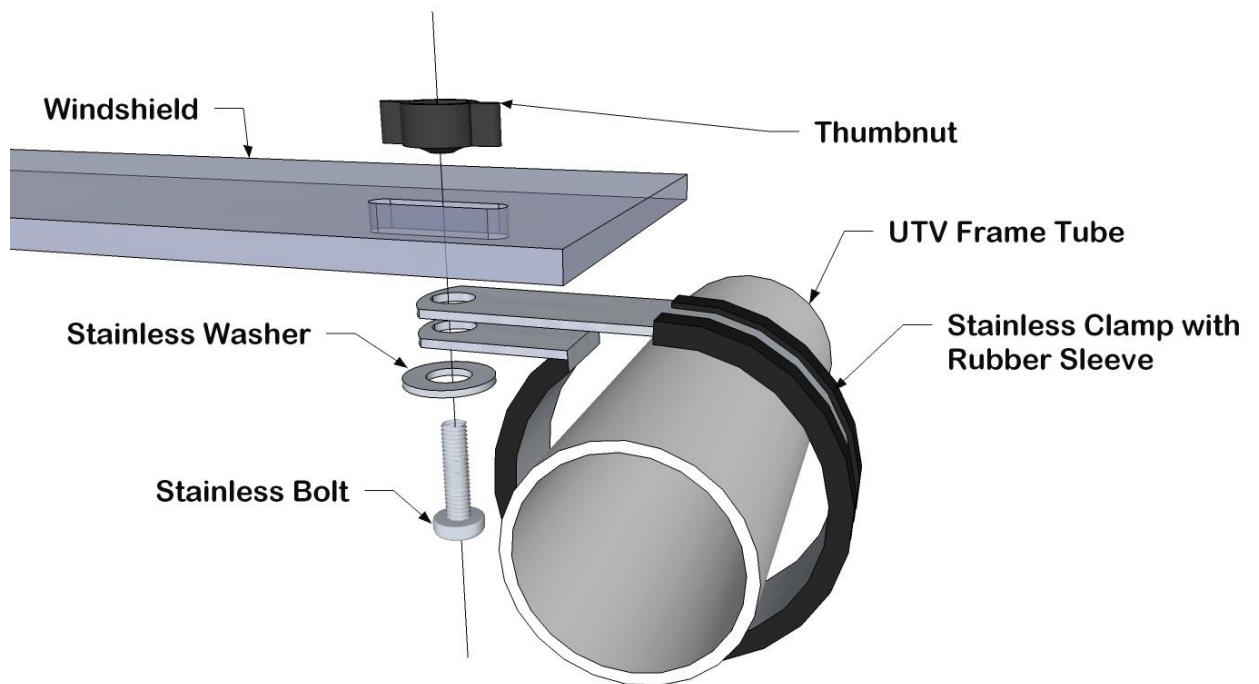
5. Now place the sliders on the inside surface of the windshield. **The ends of the sliders with the point should be facing away from the center of the windshield.** And place the plastic slide fasteners through the slots on the slider and into the holes in the windshield. The lock nuts should be in the large slots of the windshield.
6. You are now ready to install the windshield on your roll cage. Place the windshield on the vehicle first. Making sure that the bottom of the windshield overlaps the top edge of the hood to reach the bottom hood section as shown in the photo below.



7. Then take the four Velcro clamps and place them through the square holes then wrap the strap around the roll cage and under the wire as shown in the photo below.



8. Then just Pull the strap back around the bar and attach it to the Velcro.
9. Next attach the two loom clamps along the top of the windshield as shown in the diagram and photo below.





10. Now you are ready to take it out and enjoy. To clean the windshield, always clean using a liquid of some sort to decrease the chance of scratches. We recommend using micro fiber cloths that are readily available at any dollar store. Any window cleaner will work fine; just remember to use a soft clean rag or micro-fiber cloth to clean it.